

# FISHER & PAYKEL

## DATA SHEET Coffee Maker

Model no:  
**EB24DSXB1, EB24DSXBB1**  
(refer page 2 for metric measurements)

Product Dimensions	inches
Ⓐ Overall height of coffee maker	18 1/16"
Ⓑ Overall width of coffee maker	23 1/2"
Ⓒ Overall depth of coffee maker (excludes front metal trim)	18 15/16"
Ⓓ Height of chassis	17 1/2"
Ⓔ Width of chassis	22 1/16"
Ⓕ Depth of chassis	18 1/8"
Ⓖ Depth of coffee maker front frame and control panel (excludes front metal trim)	13/16"
Ⓜ Height of control panel	3 15/16"
Ⓣ Height of metal cap on control panel	13/16"
Ⓝ Height of horizontal lower section from bottom datum	3 3/8"
Ⓚ Stepdown from control panel to chassis	1/2"
Ⓛ Extent coffee maker pulls out	17 1/8"
Ⓢ Height from bottom datum to lower edge of glass	1/8"

Minimum Clearances	inches
Minimum inside height of cavity (proud installation)	17 3/4"
Minimum inside width of cavity	22 1/16"
Minimum inside depth of cavity from front datum	21 1/2"
Overall height of cabinetry (cavity around front frame)	18 1/8"
Overall width of cabinetry (cavity around front frame)	23 5/8"
Rear ventilation air vent depth*	2"
Rear ventilation air vent width*	22 1/16"

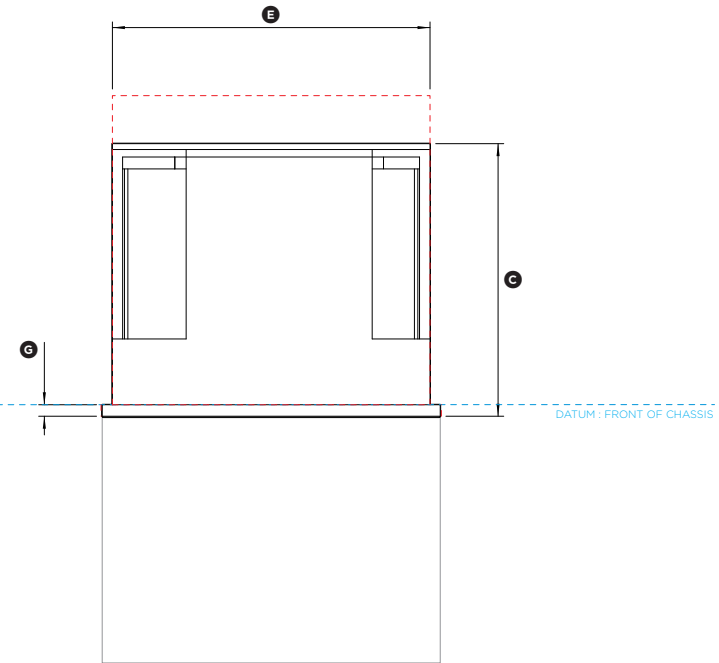
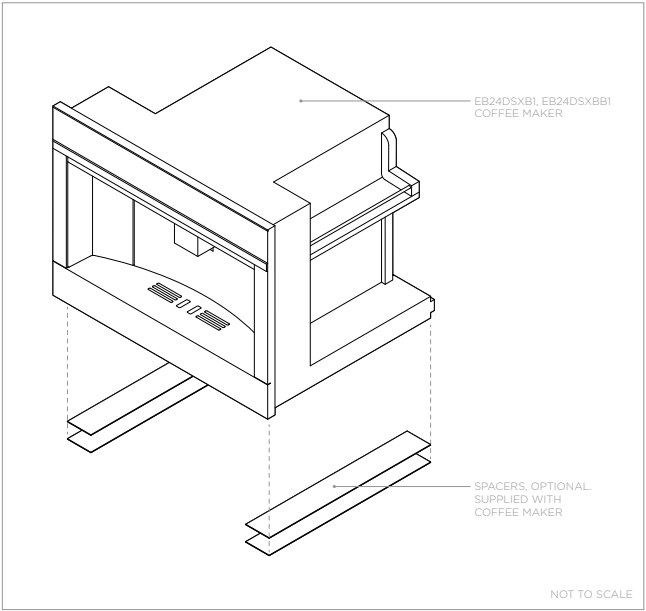
\*A rear ventilation air vent totalling 43.4in<sup>2</sup> is required. The air vent must be located at the rear of cabinet, it can be positioned at the base, sides, back or top of the cavity.

IMPORTANT NOTE: For full installation and clearance details please refer to our installation manual.

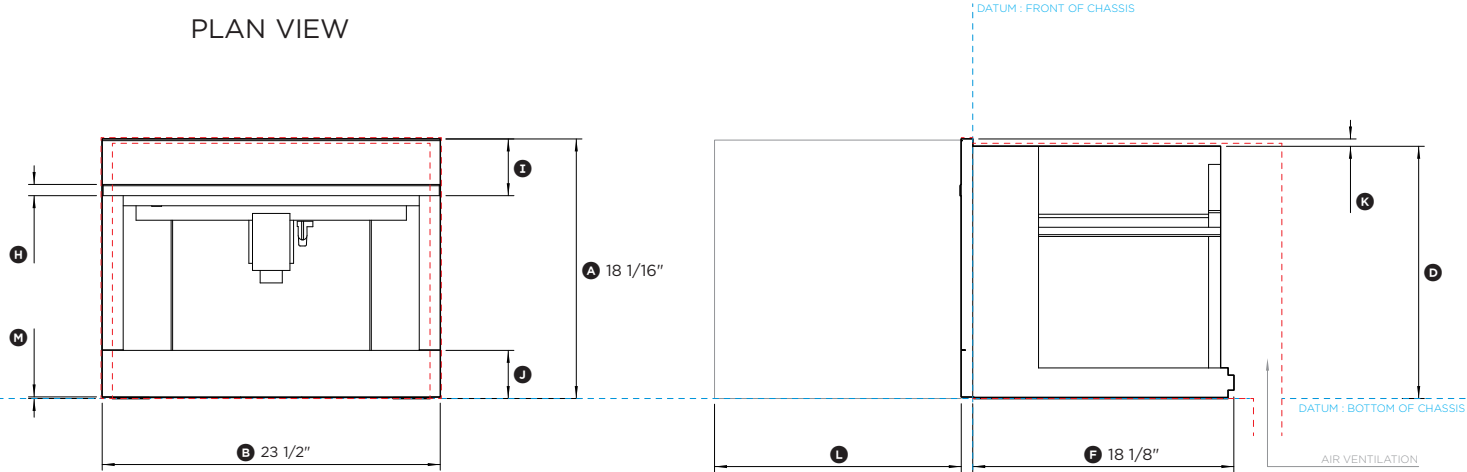
INDICATES PRODUCT DATUM -----  
INDICATES CABINERY CLEARANCES - - - - -

DATE: 18.06.2019

IMPORTANT NOTE: Throughout this guide, dimensions may vary by ±2mm (1/16"). Please read the installation manual for detailed information on installing the product. For full installation instructions & specifications visit [fisherpaykel.com](http://fisherpaykel.com)

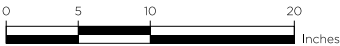


PLAN VIEW



FRONT VIEW

PROFILE VIEW



# FISHER & PAYKEL

## DATA SHEET Coffee Maker

Model no:

**EB24DSXB1, EB24DSXBB1**

(refer page 1 for imperial measurements)

Product Dimensions	mm
Ⓐ Overall height of coffee maker	458
Ⓑ Overall width of coffee maker	596
Ⓒ Overall depth of coffee maker (excludes front metal trim)	481
Ⓓ Height of chassis	445
Ⓔ Width of chassis	560
Ⓕ Depth of chassis	460
Ⓖ Depth of coffee maker front frame and control panel (excludes front metal trim)	20
Ⓜ Height of control panel	100
Ⓣ Height of metal cap on control panel	20
Ⓝ Height of horizontal lower section from bottom datum	85
Ⓚ Stepdown from control panel to chassis	13
Ⓛ Extent coffee maker pulls out	435
Ⓢ Height from bottom datum to lower edge of glass	3

Minimum Clearances	mm
Minimum inside height of cavity (proud installation)	450
Minimum inside width of cavity	560
Minimum inside depth of cavity from front datum	545
Overall height of cabinetry (cavity around front frame)	460
Overall width of cabinetry (cavity around front frame)	600
Rear ventilation air vent depth*	50
Rear ventilation air vent width*	560

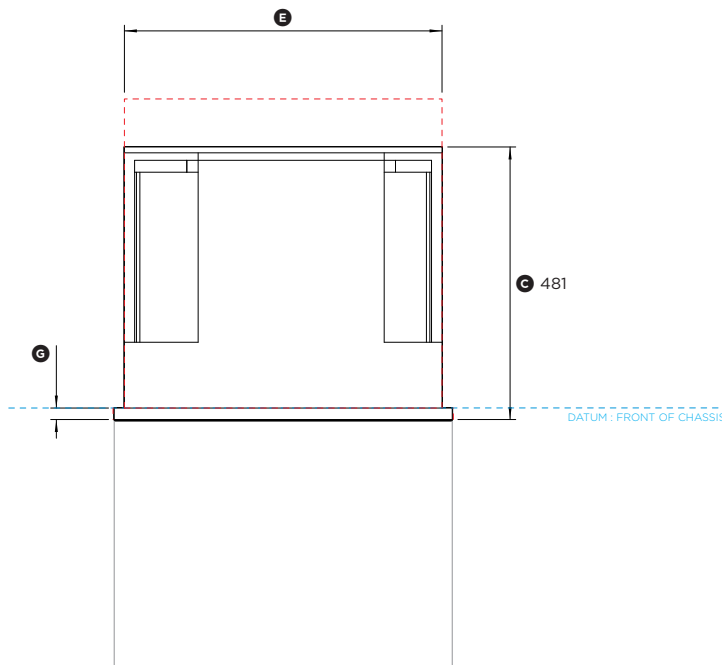
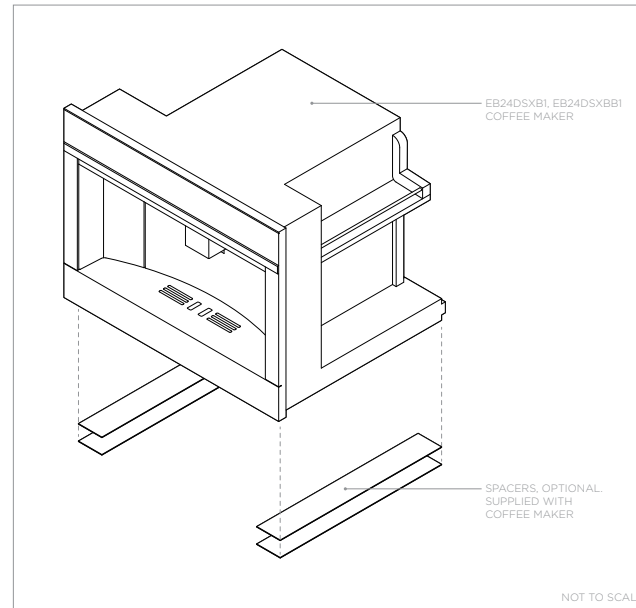
\*A rear ventilation air vent totalling 280cm<sup>2</sup> is required. The air vent must be located at the rear of cabinet. It can be positioned at the base, sides, back or top of the cavity.

IMPORTANT NOTE: For full installation and clearance details please refer to our installation manual.

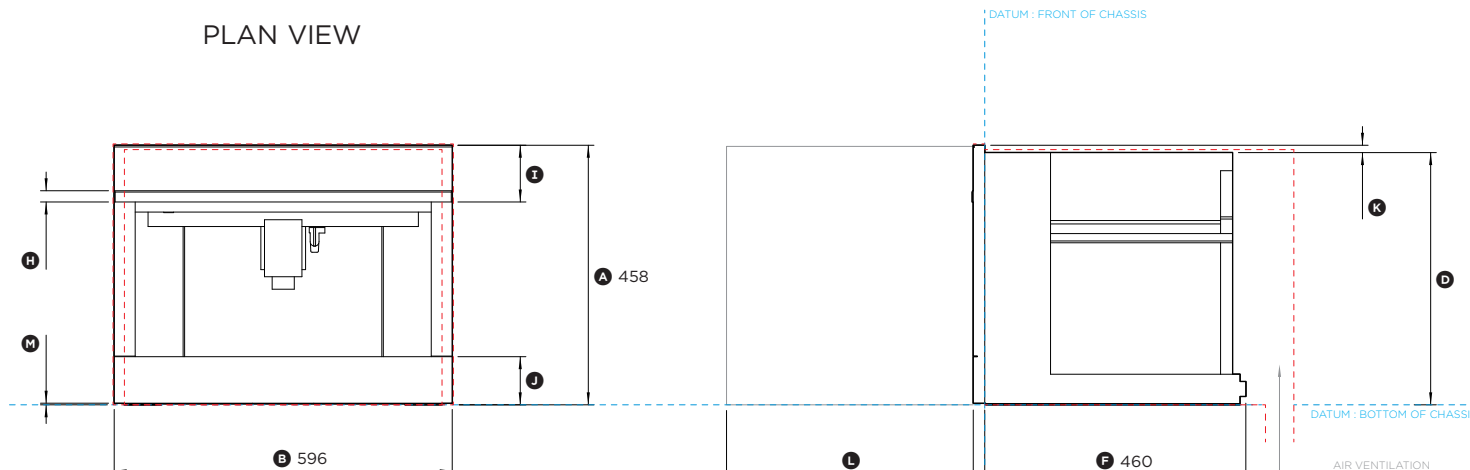
INDICATES PRODUCT DATUM -----  
INDICATES CABINERY CLEARANCES - - - - -

DATE: 18.06.2019

IMPORTANT NOTE: Throughout this guide, dimensions may vary by ±2mm (1/16"). Please read the installation manual for detailed information on installing the product. For full installation instructions & specifications visit [fisherpaykel.com](http://fisherpaykel.com)



PLAN VIEW



FRONT VIEW

PROFILE VIEW

