

FISHER & PAYKEL

SPECIFICATION GUIDE

DOUBLE DISHDRAWER™ DISHWASHER SERIES 9, CONTEMPORARY STYLE



OVERVIEW

Wash one drawer while you load the other, with minimal bending. Or wash both at once, with room in each drawer for full size dinner plates.

MODELS

Double DishDrawer™ Dishwasher, Sanitise

Stainless Steel
DD60DDFX9

Double DishDrawer™ Dishwasher, Sanitise

Stainless Steel
DD60DDFH9

Double DishDrawer™ Dishwasher, Sanitise

Black Stainless Steel
DD60DDFB9

SERIES & STYLE

Series 9
Contemporary Style

FEATURES

- ① DishDrawer™ Dishwashers are designed to match the Fisher & Paykel family of kitchen appliances
- ② Six wash programs, from delicate to heavy to suit any load
- ③ Quick, Sanitise and Extra Dry provide extra wash options
- ④ Each drawer fits a half load that you can load and wash independently
- ⑤ Flexible racking can be folded down to fit bigger dishes

ACCESORIES

- ① Optional ontemporary round handle kit
- ② Recessed kickstrip
- ③ Two cutlery baskets
- ④ Knife clip and multipurpose clip

FISHER & PAYKEL

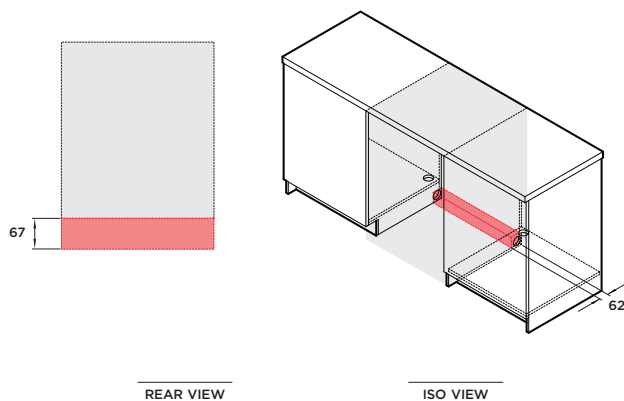
SPECIFICATION GUIDE

DOUBLE DISHDRAWER™ DISHWASHER SERIES 9, CONTEMPORARY STYLE

SPECIFICATIONS

Model No.	DD60DDFX9, DD60DDFHX9, DD60DDFB9
Dimensions	H 820 - 880mm x W 599mm x D 573mm
Weight	59kg
Electrical	
Supply	220-240V, 50Hz
Service	8.2A
Receptacle	3 pin earthing-type
Plumbing	
Supply	3/4" BSP (GB20) to suit flat washer.
Pressure	Water softener models: max. 1 MPa (145 psi), min. 0.1 MPa (14.5 psi) Non-water softener models: max. 1 MPa (145 psi), min. 0.03 MPa (4.3 psi)

PLUMBING AND ELECTRICAL

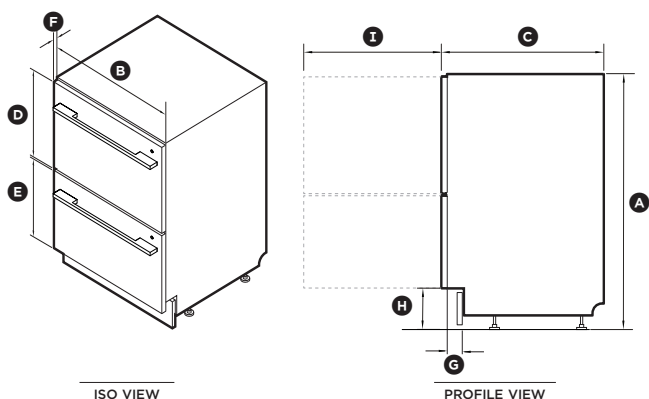


REAR VIEW

ISO VIEW

Service outlet at rear extends both sides, hoses and cords can be routed to either or both sides

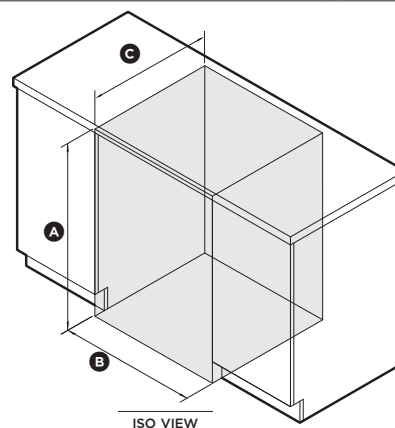
PRODUCT DIMENSIONS



ISO VIEW

PROFILE VIEW

CAVITY DIMENSIONS: STANDARD INSTALLATION



ISO VIEW

	mm
(A) Overall height*	820 - 880
(B) Overall width	599
(C) Overall depth	573
(D) Height of upper front panel	398
(E) Height of lower front panel	312
(F) Depth of front panels	20
(G) Depth of toe kick recess	38 - 54
(H) Height from floor to front panel base*	100 - 160
(I) Depth of open drawer	527

*Depending on adjustment of levelling feet

	mm
(A) Overall height*	min 820
(B) Overall width	600
(C) Overall depth**	580

*Depending on adjustment of levelling feet
**Includes front panels