

Integrated Beverage Center, 4.6 cu ft

Series 9 | Integrated

Panel Ready | Left hinge



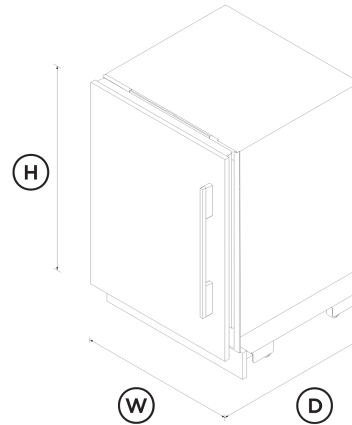
Elevate your beverage storage with our Integrated Beverage Center. Ideal for wine, craft beer and more, it's perfect for any space within your home.

- Integrates into any setting within the home, from the bar to the master suite - the choices are endless
- Spacious 4.6 cu ft capacity, with full-depth wine shelf that can accommodate up to seven bottles
- Adjustable temperature control helps to keep drinks at the ideal temperature

- Designed to fit flush, with only 3/16" gaps and no visible hinges or grilles

DIMENSIONS

Height	33 13/16 "
Width	23 5/16 "
Depth	22 11/16 "



FEATURES & BENEFITS

Complete Design Freedom

This versatile under-counter beverage center brings increased cooling capability to any space, from kitchens to home bars, rumpus rooms to home cinemas. Compact and stylish, it carefully stores a selection of beverages, from cans to beer bottles or up to seven bottles of wine in a custom rack. Pair it perfectly with our under-counter wine cabinet to create an entertainer's dream set-up.

Customized Drink Storage

The beverage center is designed to store a selection of beverages, from cans to beer bottles, or bottles of wine in a custom rack. Full extension shelving makes it simple to see and select between a pale ale or pilsner, sauvignon blanc or chardonnay.

Flexible Storage

The beverage rack includes a slidable shelf divider that moves to securely hold bottles and cans to avoid tipping, or can be removed for large items. The custom wine rack carefully cradles and displays up to seven bottles of wine.

Precise Temperature Control

Set the temperature in each zone to between 34°F and 57°F depending on your needs, or use one of our five preset modes: Fridge, Beverage, Sparkling, White Wine or Pantry to store a range of drinks at the ideal temperature.

Seamless Fit

The beverage centre is designed to fit flush, with only 3/16" gaps between surrounding cabinetry, and no visible hinges or grilles.

Intuitive Control

Temperature control at your fingertips. Adjust the temperature of your beverage center through intuitive touch controls, or remotely using the SmartHQ™ app through Wi-Fi connectivity.

Custom Door

A tempered glass door allows you to monitor your drinks selection and restock when necessary. Also available is a panel-ready model, which allows your beverage center to be hidden seamlessly behind your custom cabinetry.

SPECIFICATIONS

Accessories (included)

Hinge change (from left hinge to right hinge)	Included
---	-----------------

Accessories (sold separately)

Door panel stainless steel	RD2435VL (Left - Framed) RD2435VR (Right - Framed)
Handle kit Classic	AHCLRD35
Handle kit Contemporary round, aluminium	AHSRD35
Handle kit Contemporary square fine, aluminium	AHD5RD35
Handle kit Contemporary square fine, black	AHD5RD35B
Handle kit Professional round flush	AHP3RD35
Joiner Kit	AJRS35LR
Toe kick stainless steel 23"	AKRS2304
Toe kick stainless steel 47"	AKRS4704

Capacity

Volume	4.6 cu ft
--------	------------------

Consumption

Energy rating	Energy star
---------------	--------------------

Controls

- Electronic interface •
- Interior light •

Features

- Cantilevered glass shelves 1
- Door alarm •
- Front levelling feet •
- Full extension beverage shelf •
- Full extension wine storage rack •
- Keylock •
- LED lighting •
- Smart appliance •
- SmartTouch interface at counter height •
- Variable temperature control •
- Wi-Fi connectivity •

Installation Dimensions

Minimum inside width of cabinetry frame	23 5/8 "
Minimum internal depth of cabinetry	23 5/8 "
Minimum internal height of cabinetry	34 "

Performance

- ActiveSmart™ technology •
- Adaptive defrost •
- Frost free •
- Noise emissions **31 dBA**

Refrigerator temperature range	34 - 57 degrees Fahrenheit
Sabbath mode	•
Variable temperature zones	1

Power requirements

Rated current	10 A
Supply frequency	60 Hz
Supply voltage	115 V

Product dimensions

Depth	22 11/16 "
Height	33 13/16 "
Width	23 5/16 "

Warranty

Parts and labor	2 years
-----------------	----------------

SKU	26706
-----	-------

The product dimensions and specifications in this page apply to the specific product and model. Under our policy of continuous improvement, these dimensions and specifications may change at any time. You should therefore check with Fisher & Paykel's Customer Care Centre to ensure this page correctly describes the model currently available. © Fisher & Paykel Appliances Ltd 2020

Other product downloads available at fisherpaykel.com

- [↓](#) 2D-DWG
- [↓](#) 2D-DXF
- [↓](#) Energy Label Integrated Beverage Center
- [↓](#) Service & Warranty
- [↓](#) Planning Guide Wine Cabinet & Beverage Center EN
- [↓](#) Revit 19
- [↓](#) User Guide EN
- [↓](#) User Guide FR
- [↓](#) User Guide SP

Where applicable:

All appliances use energy, and energy usage typically generates carbon emissions. **Fisher & Paykel Appliances' In-use Energy Carbon Emissions Estimate** indicates carbon emissions from a product's in-use energy. This is calculated either annually or per cycle, using the product's market-specific energy label energy consumption data multiplied by the carbon emissions factor for energy in your country or region.

Our In-use Energy Carbon Emissions Estimate is designed to assist customers in making informed purchasing decisions when comparing different Fisher & Paykel products. For example, a heat pump dryer typically has a lower In-use Energy Carbon Emissions Estimate than a vented dryer.



A PEACE OF MIND SALE
24 Hours 7 Days a Week Customer Support
T 1.888.936.7872 W www.fisherpaykel.com