

**76CM BUILT-IN OVENS AND COMPANIONS
CONTEMPORARY BLACK**

PLANNING GUIDE

SERIES 9 & 11

OVEN | OB76SDPTDB1

STEAM OVEN | OS76NDTDB1

SPEED OVEN | OM76NDTDB1

BUILT-IN COFFEE MAKER | EB60DSXBB1

TRIM KIT | TK76NDBB1

FISHER & PAYKEL

This comprehensive Planning Guide provides you with the framework and tools to achieve your desired design outcome with Fisher & Paykel appliances. In this guide, you will find a range of conceptual, detailed and dimensional product information to bring your ideas to life and create spaces that truly reflect your vision.

CONTENTS

CONCEPT DESIGN	PAGE	DEVELOPED AND DETAILED DESIGN	PAGE	DEVELOPED AND DETAILED DESIGN	PAGE
Design Choices		Data Sheets		Services	
Ovens and Companions - ALL MODELS	4	Oven	15	Power Cord Length and Location	27
Configurations - ALL MODELS	5	Built-in Coffee Maker with Trim Kit	16		
Overview - ALL MODELS	6	Combination Steam Oven	17		
		Combination Microwave Oven	18		
Specification Guides		Planning Considerations			
Oven	8	Cabinetry Preparation - ALL MODELS	20		
Built-in Coffee Maker with Trim Kit	9	Configurations - ALL MODELS	21		
Combination Steam Oven	10	Oven	22		
Combination Microwave Oven	11	Built-in Coffee Maker with Trim Kit	23		
Dimensions - ALL MODELS	12	Combination Steam Oven	24		
Power, Weight and Capacity - ALL MODELS	13	Combination Microwave Oven	25		

The models shown in this Planning Guide may not be available in all markets and are subject to change at any time. Product specifications may vary from those shown. This Planning Guide should not be used as installation guidance for any product. Further information is required to safely and correctly install the products featured here. Specific installation guidance will be available on our website fisherpaykel.com

DESIGN CHOICES

COLOUR

OVENS

COMPANIONS

INSTALLATION OPTIONS

OVEN

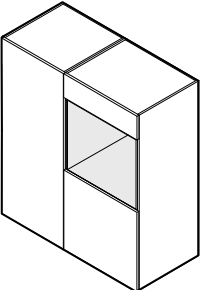
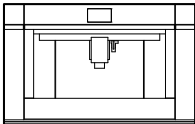
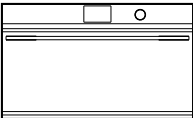
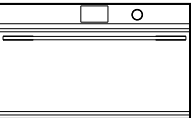
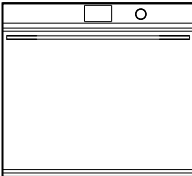
COMBINATION STEAM

CONVECTION SPEED

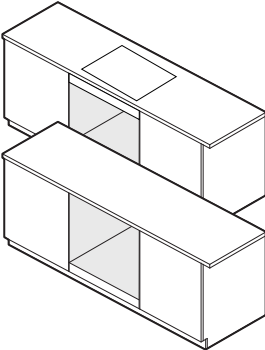
BUILT-IN COFFEE MAKER



BLACK



INSTALLATION IN WALL

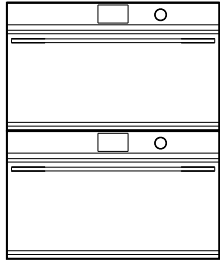


INSTALLATION UNDER-BENCH

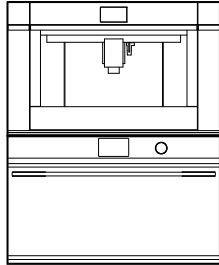
The models shown in this Planning Guide may not be available in all markets and are subject to change at any time. Product specifications may vary from those shown. This Planning Guide should not be used as installation guidance for any product. Further information is required to safely and correctly install the products featured here. Specific installation guidance will be available on our website fisherpaykel.com

STACKED INSTALLATION

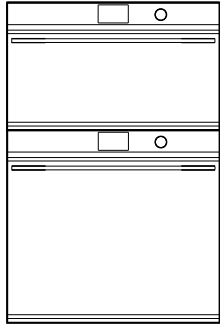
Stack Height
920mm



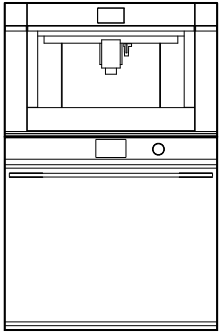
Stack Height
940mm



Stack Height
1152mm

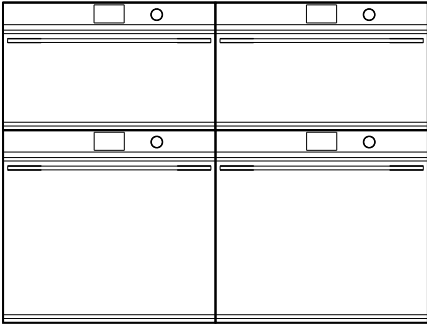


Stack Height
1172mm



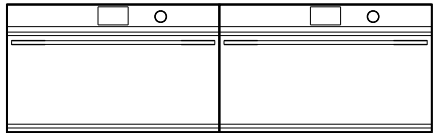
GRID INSTALLATION

Stack Height
1152mm

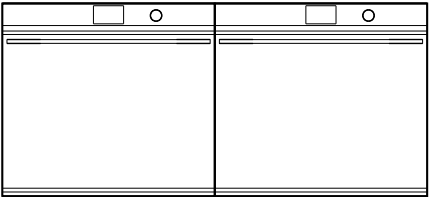


ROW INSTALLATION

Stack Height
460mm



Stack Height
692mm

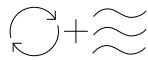
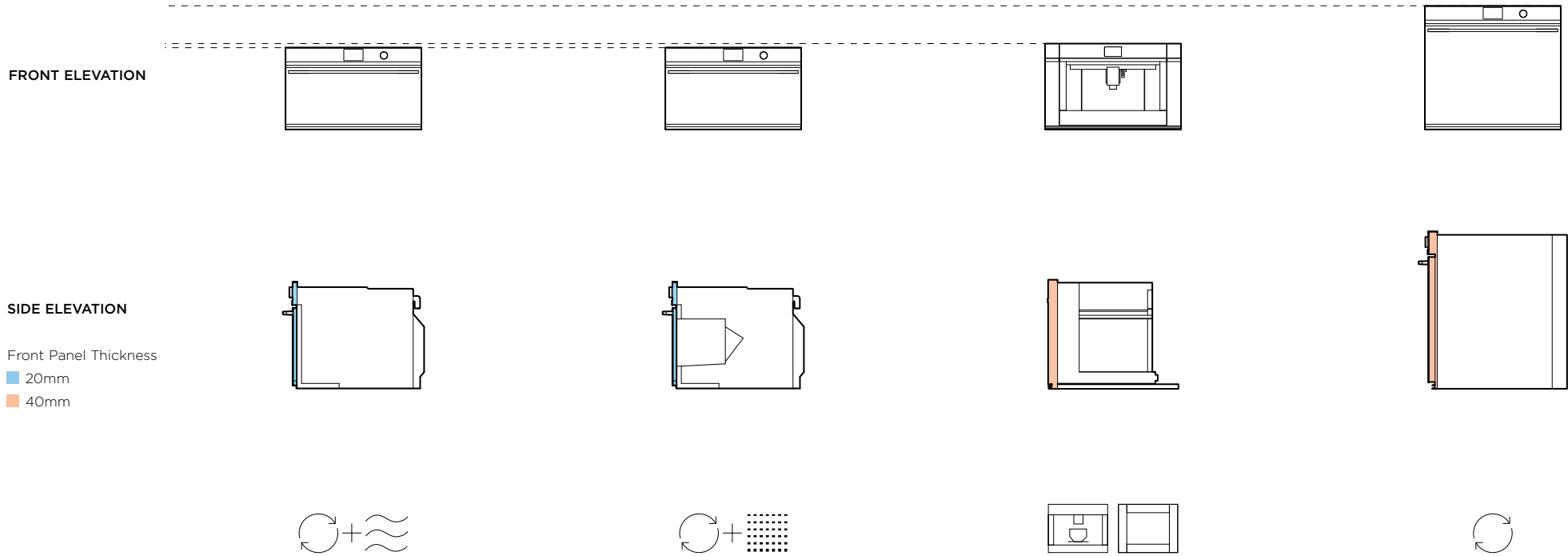


CONSIDERATIONS

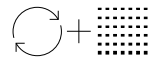
Different configurations possible, consider heights for row and grid installations.

Note: Stack Height is overall product height with minimum clearance above appliance front panel to upper cabinetry front panel or appliance.

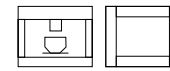
The models shown in this Planning Guide may not be available in all markets and are subject to change at any time. Product specifications may vary from those shown. This Planning Guide should not be used as installation guidance for any product. Further information is required to safely and correctly install the products featured here. Specific installation guidance will be available on our website fisherpaykel.com



COMBINATION STEAM OVEN



COMBINATION MICROWAVE OVEN



BUILT-IN COFFEE MAKER WITH TRIM KIT



OVEN

Series	Series 9	Series 9	Series 9	Series 9
Model Code	OM76NDTDB1	OS76NDTDB1	EB60DSXBB1 (TK76NDBB1)	OB76SDPTDB1
Interface	5" Touchscreen, Dial Control	5" Touchscreen, Dial Control	4.3" Touchscreen	5" Touchscreen, Dial Control
Height	458mm	458mm	478mm	690mm
Front Panel Thickness	20mm	20mm	40mm	40mm

The models shown in this Planning Guide may not be available in all markets and are subject to change at any time. Product specifications may vary from those shown. This Planning Guide should not be used as installation guidance for any product. Further information is required to safely and correctly install the products featured here. Specific installation guidance will be available on our website fisherpaykel.com

SPECIFICATION GUIDE

SERIES 9 & 11



OVERVIEW

Enhance your kitchen design with the refined styling of the 76cm Oven. Complementing the other products in our Contemporary Black collection, you can create a coherent, considered look with ease. Intuitive controls and the performance to deliver perfect results make this oven beautiful to use.

PRODUCTS

OB76SDPTDB1

Built-In Oven, 76cm, 17 Function, 115L, Dial Controls, Touchscreen

SERIES & STYLE

Series 9
Contemporary Black

FEATURES

- ① Designed to fit flush with cabinetry
- ② Styled to complement our Contemporary Black kitchen appliances
- ③ Generous 115L total capacity
- ④ Intuitive, large 5" touchscreen display with illuminated dial
- ⑤ Guided cooking and recipes
- ⑥ Perfect results from 17 oven functions including Roast and Vent Bake, as well as new functions Air Fry, Dehydrate and Rapid Proof
- ⑦ Even heat distribution throughout with AeroTech™ technology
- ⑧ Self-cleaning function breaks down food residue for an easy clean
- ⑨ Triple-glazed CoolTouch door is safe to touch from the outside
- ⑩ Wi-Fi/Connected capability through the SmartHQ™ app

ACCESSORIES

- ① Full Extension Sliding Shelves*
- ② Self-cleaning-proof side racks*
- ③ Roasting dish, tray and rack*
- ④ Wired Temperature Sensor*

*Included with product

The models shown in this Planning Guide may not be available in all markets and are subject to change at any time. Product specifications may vary from those shown. This Planning Guide should not be used as installation guidance for any product. Further information is required to safely and correctly install the products featured here. Specific installation guidance will be available on our website fisherpaykel.com



OVERVIEW

With 13 beverage options, our Coffee Maker is designed to consistently make your coffee just the way you like it.

PRODUCTS

EB60DSXBB1

Built-in Coffee Maker, 60cm, Touchscreen, Black

TK76NDBB1

Companion Trim Kit, 76cm, Black

Note: Trim Kit purchased separately.



SERIES & STYLE

Series 9
Contemporary Black

FEATURES

- ① Elegant black trim
- ② Install in multiple configurations to suit your kitchen design
- ③ Optional 76cm trim kit allows seamless vertical configuration when paired with a Fisher & Paykel 76cm Oven
- ④ Intuitive touch display
- ⑤ 13 different choices from Espresso to Latte
- ⑥ Program your favorite setting
- ⑦ 5 bar pump pressure
- ⑧ Stainless steel conical burr grinder with 13 grinding coarseness positions
- ⑨ Self-cleaning function and easy to empty coffee grounds container and drip tray
- ⑩ 2.5L water tank capacity

ACCESSORIES

- ① Optional 76cm trim kit - TK76NDBB1
- ② Thermal milk jug*
- ③ Extractable steam outlet*
- ④ Coffee spoon*
- ⑤ Descaling agent and water filter*

*Included with product

The models shown in this Planning Guide may not be available in all markets and are subject to change at any time. Product specifications may vary from those shown. This Planning Guide should not be used as installation guidance for any product. Further information is required to safely and correctly install the products featured here. Specific installation guidance will be available on our website fisherpaykel.com



OVERVIEW

With subtle Minimal styling, the compact Combination Steam Oven fits seamlessly into any kitchen. As a companion product, this Steam Oven is designed to install easily and fit perfectly with other companion products. It features 23 functions, including steam-only, convection-only, or a combination of both. Reduce the need for oils and fats with six standalone steam functions, perfect for creating flavourful and healthy restaurant-quality meals at home. Beautiful to use, the large 5" touchscreen interface has simple and intuitive guided cooking, helping to ensure perfect results.

PRODUCTS

OS76NDTDB1

Combination Steam Oven, 76cm, 23 Function

SERIES & STYLE

Series 9

Contemporary Black

ACCESSORIES

- ① Full Extension Sliding Shelf*
- ② Wire Shelf*
- ③ Flat Brushed Baking Tray*
- ④ Roasting Dish*
- ⑤ Grill Rack*

FEATURES

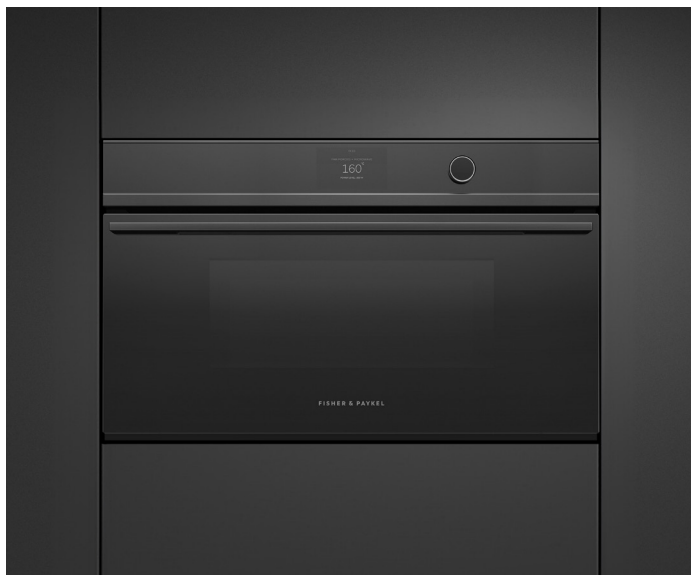
- ① Contemporary style, designed to fit flush with cabinetry
- ② Generous 55L total capacity with four shelf positions
- ③ Intuitive, large 5" touchscreen display with illuminated dial
- ④ 23 oven functions including Steam, Sous Vide, Air Fry and Crisp Regenerate
- ⑤ Guided touchscreen cooking makes it simple to cook by food, function or recipe
- ⑥ Moisture control and even heat distribution thanks to ActiveVent and AeroTech™ technology
- ⑦ 1.4L water tank
- ⑧ Wi-Fi enabled and works with the SmartHQ™ app for remote control and notifications
- ⑨ Steam Clean function ensures a spotless oven with minimal effort
- ⑩ Soft open and close door

ACCESSORIES

- ⑥ Perforated Large Steam Dish*
- ⑦ Perforated Small Steam Dish*
- ⑧ Large Steam Dish*
- ⑨ Wired Temperature Sensor*
- ⑩ Catalytic Panel*
- ⑪ Descale solution* - 2 sachets (Part 580925)

*Included with product

The models shown in this Planning Guide may not be available in all markets and are subject to change at any time. Product specifications may vary from those shown. This Planning Guide should not be used as installation guidance for any product. Further information is required to safely and correctly install the products featured here. Specific installation guidance will be available on our website fisherpaykel.com



OVERVIEW

With timeless Contemporary styling, the Combination Microwave Oven fits seamlessly into any kitchen. As a companion product, this Microwave Oven is designed to install easily and fit perfectly with other companion products such as the Combination Steam Oven. A flexible appliance that pairs the speed of microwave cooking with oven technology, which can crisp and brown as it cooks. Featuring 22 cooking functions on an intuitive touch display for easy programming of desired cooking mode and duration.

PRODUCTS

OM76NDTDB1

Combination Microwave Oven, 76cm, 22 Function

SERIES & STYLE

Series 9
Contemporary Black

FEATURES

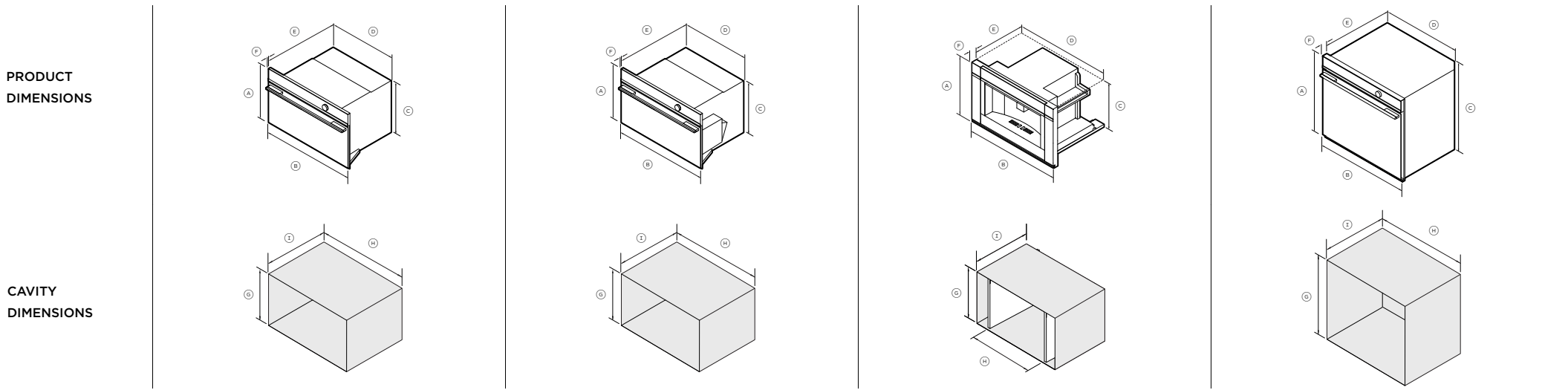
- ① Contemporary style, designed to fit flush with cabinetry
- ② 49L total capacity
- ③ Intuitive, large 5" touchscreen display with illuminated dial
- ④ Four microwave-only functions, 14 traditional oven functions, and four combination functions
- ⑤ A Wired Temperature Sensor precisely monitors cooking in real time
- ⑥ Guided cooking, with the option to access additional functionality via the SmartHQ™ app
- ⑦ Wi-Fi/Connected capability through the SmartHQ™ app
- ⑧ Soft open and close door

ACCESSORIES

- ① Wire Shelf*
- ② Chrome Shelf Runner*
- ③ Step Down Wire Shelf*
- ④ Grill Rack*
- ⑤ Glass Tray*
- ⑥ Wired Temperature Sensor*

*Included with product

The models shown in this Planning Guide may not be available in all markets and are subject to change at any time. Product specifications may vary from those shown. This Planning Guide should not be used as installation guidance for any product. Further information is required to safely and correctly install the products featured here. Specific installation guidance will be available on our website fisherpaykel.com



COMBINATION MICROWAVE OVEN
OM76NDTDB1

COMBINATION STEAM OVEN
OS76NDTDB1

BUILT-IN COFFEE MAKER
EB60DSXBB1
Trim Kit TK76NDBB1

OVEN
OB76SDPTDB1

PRODUCT DIMENSIONS	COMBINATION MICROWAVE OVEN OM76NDTDB1	COMBINATION STEAM OVEN OS76NDTDB1	BUILT-IN COFFEE MAKER EB60DSXBB1 Trim Kit TK76NDBB1	OVEN OB76SDPTDB1
Ⓐ Overall height	458mm	458mm	478mm**	690mm
Ⓑ Overall width	760mm	760mm	760mm**	760mm
Ⓒ Chassis height	435mm	435mm	465mm	674mm
Ⓓ Chassis width	720mm	720mm	560mm	720mm
Ⓔ Chassis depth	545mm	545mm	530mm	569mm
Ⓕ Front panel thickness	20mm	20mm	40mm**	40mm
Depth of oven door fully open	320mm*	320mm*	-	550mm*

* Measured from front of control panel

** Measurements with trim kit

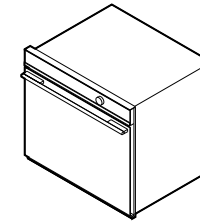
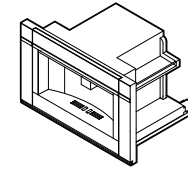
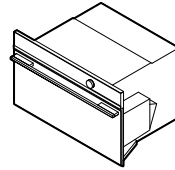
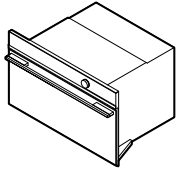
CAVITY DIMENSIONS- FLUSH INSTALLATION	COMBINATION MICROWAVE OVEN OM76NDTDB1	COMBINATION STEAM OVEN OS76NDTDB1	BUILT-IN COFFEE MAKER EB60DSXBB1 Trim Kit TK76NDBB1	OVEN OB76SDPTDB1
Ⓒ Minimum inside height of cavity	440mm	440mm	470mm	681mm
Ⓓ Minimum inside width of cavity	724mm	724mm	560mm**	724mm
Ⓔ Minimum inside depth of cavity***	570mm*	570mm	570mm*	615mm
Recommended cabinet width	764mm	764mm	764mm	764mm

*Requires ventilation at the rear of the cavity

**Cabinetry requires additional vertical sidewalls to secure the product

***Measured from front of control panel

The models shown in this Planning Guide may not be available in all markets and are subject to change at any time. Product specifications may vary from those shown. This Planning Guide should not be used as installation guidance for any product. Further information is required to safely and correctly install the products featured here. Specific installation guidance will be available on our website fisherpaykel.com



COMBINATION MICROWAVE OVEN
OM76NDTDB1

COMBINATION STEAM OVEN
OS76NDTDB1

BUILT-IN COFFEE MAKER
EB60DSXBBI
Trim Kit TK76NDBB1

OVEN
OB76SDPTDB1

POWER REQUIREMENTS

Supply	220-240 V, 50 Hz	220-240 V, 50 Hz	220-240 V, 50 Hz	220-240 V, 50 Hz
Service	20 A	20 A	10 A	20 A
Connection	Hard wired	Hard wired	Flex cord 1700mm	Hard wired

WEIGHT

Packaged	55kg	55kg	EB60DSXBBI 33kg	110kg
Unpackaged	46kg	46kg	EB60DSXBBI 24kg	75kg

CAPACITY

Total oven	49L	55L		115L
Total water tank	-	1.4L	2.5L	-

SERVICES

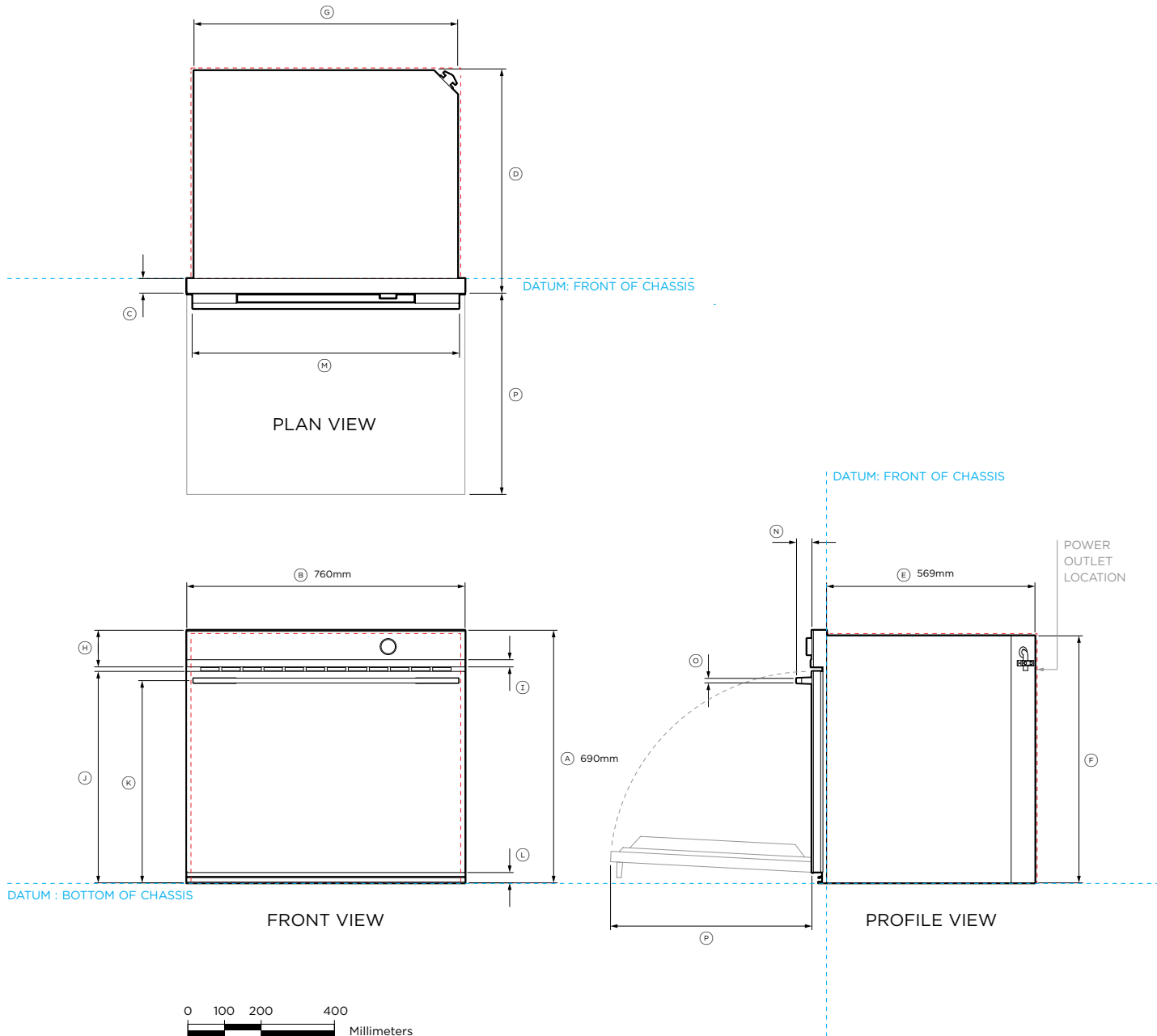
For more information on cord length, water supply and electrical requirements, refer to the 'Services' section of this Planning Guide.

WATER

All Coffee Makers and Steam Ovens have internal water tanks which need to be filled manually. No external water supply is required.

The models shown in this Planning Guide may not be available in all markets and are subject to change at any time. Product specifications may vary from those shown. This Planning Guide should not be used as installation guidance for any product. Further information is required to safely and correctly install the products featured here. Specific installation guidance will be available on our website fisherpaykel.com

DATA SHEETS



Model no:

Oven, 76cm - OB76SDPTDB1

Product Dimensions

	mm
Ⓐ Overall height of product	690
Ⓑ Overall width of product	760
Ⓒ Depth of control panel (excludes handle, front black aluminum trim and dial)	40
Ⓓ Depth of chassis and control panel (excludes handle, front black aluminum trim and dial)	609
Ⓔ Depth of chassis	569
Ⓕ Height of chassis	674
Ⓖ Width of chassis	720
Ⓜ Height of control panel	100
Ⓣ Height of black aluminum trim on control panel	20
ⓙ Height from bottom datum to top of oven door	578
Ⓚ Height from bottom datum to centerline of handle	553
Ⓛ Height from bottom datum to bottom of door	28
Ⓜ Width of handle	727
Ⓝ Depth of handle	42
Ⓞ Thickness of handle	16
Ⓟ Depth of door when open (measured from front of door)	550

Minimum Clearances- Flush Installation

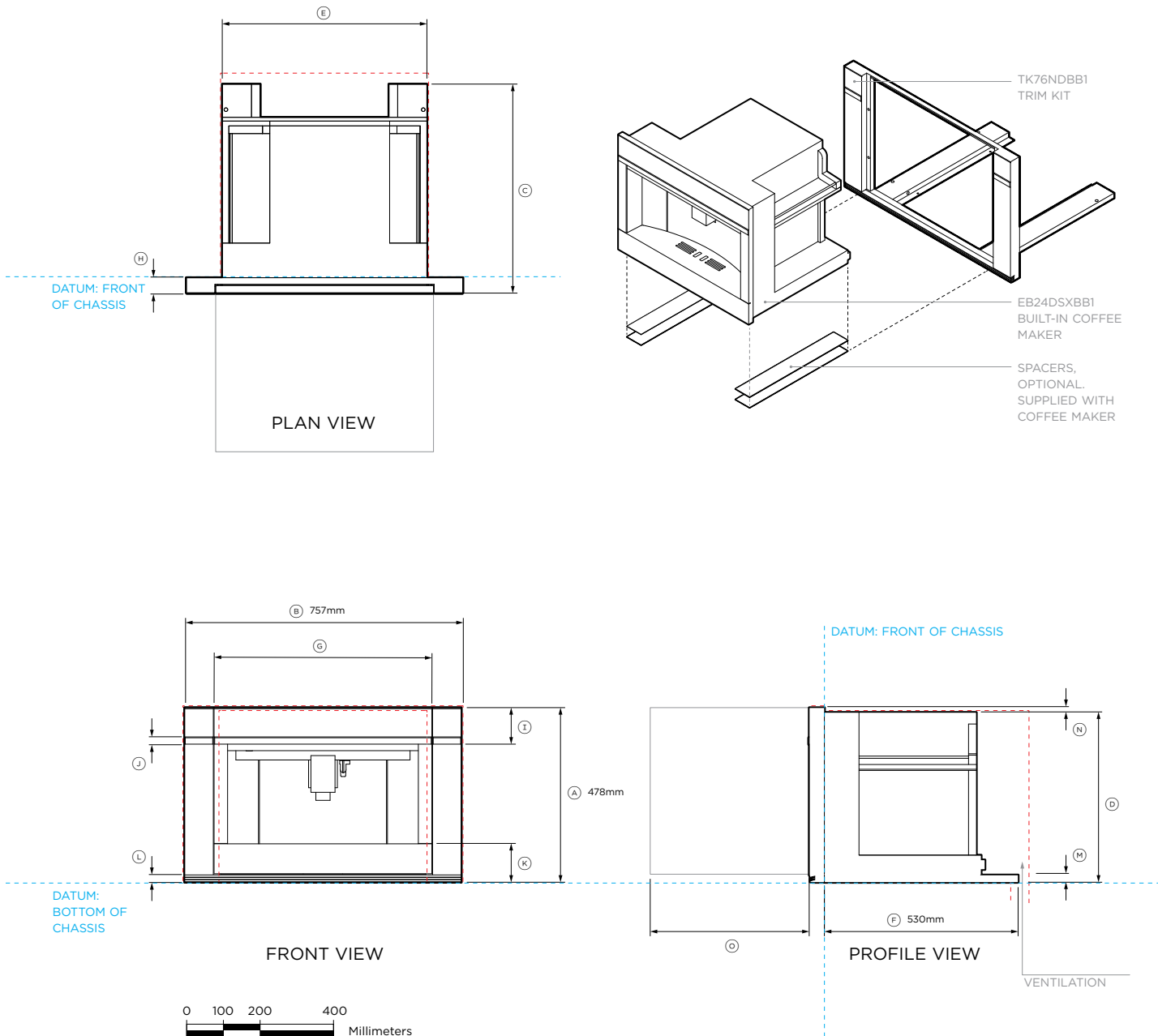
	mm
Minimum inside height of cavity	681
Minimum inside width of cavity	724
Minimum inside depth of cavity*	615
Minimum clearance above oven control panel to upper cabinetry front panel or appliance	2
Minimum clearance between bottom of oven chassis to lower cabinetry front panel or appliance	2

*Measured from front of control panel
 Note: Depending on cabinet panel thickness a rebate around control panel might be required. Ensure a 5mm minimum clearance is maintained between the top of the oven chassis and the cabinetry. Ensure the oven is not bearing any weight from cabinetry or products installed above.

IMPORTANT NOTE: For full installation and clearance details please refer to our installation manual.

INDICATES CABINETRY / PRODUCT DATUM -----
 INDICATES CABINETRY CLEARANCES - - - - -

IMPORTANT NOTE: Throughout this guide, dimensions may vary by ±2mm (1/16"). Please read the Installation Guide for detailed information on installing the product. For full installation instructions visit fisherpaykel.com



Model no:

Built-in Coffee Maker, 60cm - EB60DSXBB1
Trim Kit, 76cm - TK76NDBB1

Product Dimensions

	mm
Ⓐ Overall height of built-in coffee maker and trim kit	478
Ⓑ Overall width of built-in coffee maker and trim kit	757
Ⓒ Overall depth of built-in coffee maker and trim kit (excludes front metal trim)	570
Ⓓ Height of chassis and trim kit support brackets	465
Ⓔ Width of chassis and trim kit support brackets	560
Ⓕ Depth of chassis and trim kit support brackets	530
Ⓖ Width of coffee maker	596
Ⓗ Depth of coffee maker front frame and control panel (excludes front metal trim)	40
Ⓘ Height of control panel	100
Ⓝ Height of metal cap on control panel	20
Ⓚ Height of horizontal lower section (includes glass and grille)	105
Ⓛ Height of trim grille	20
Ⓜ Height of trim kit support brackets	20
Ⓝ Stepdown from control panel to chassis	13
Ⓞ Extent built-in coffee maker pulls out (measured from glass front)	435

Minimum Clearances - Flush Installation

	mm
Minimum inside height of cavity	470
Minimum inside width of cavity	560
Minimum inside depth of cavity*	570
Overall height of cabinetry (cavity around front frame)	480
Overall width of cabinetry (cavity around front frame)	764
Rear ventilation depth**	50
Rear ventilation width**	560
Minimum clearance above Trim Kit to upper cabinetry front panel or appliance	2
Minimum clearance between bottom of Trim Kit to lower cabinetry front panel or appliance	2

*Measured from front of control panel

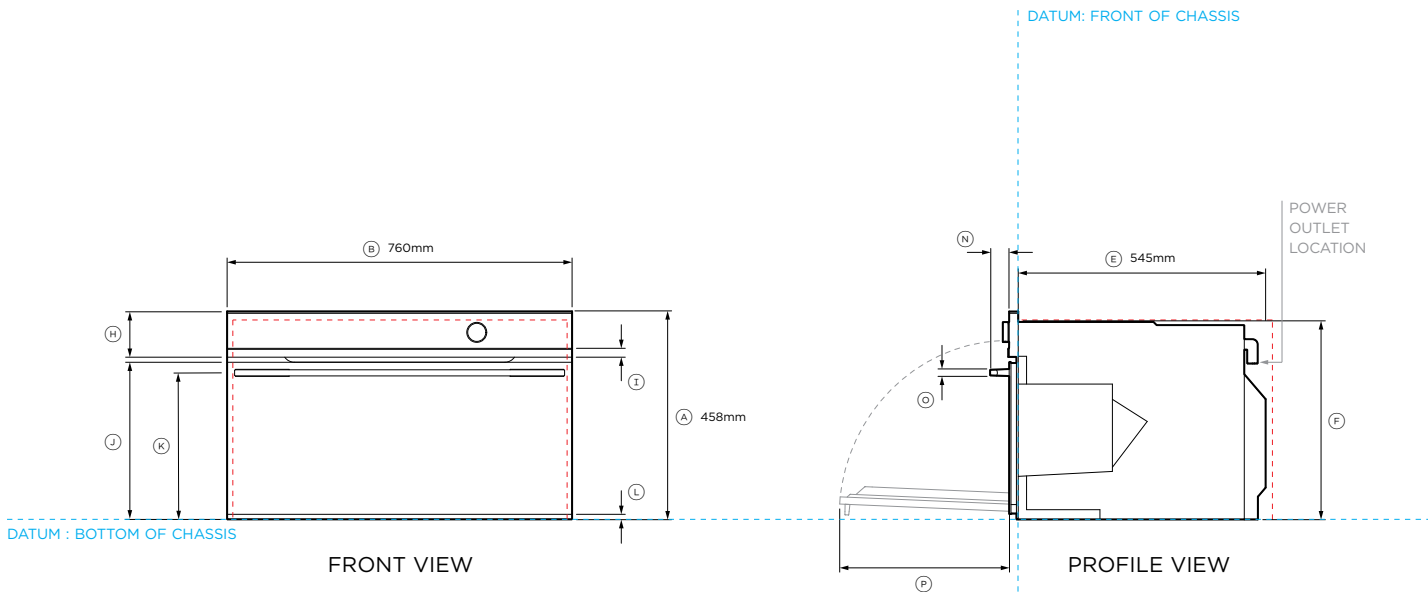
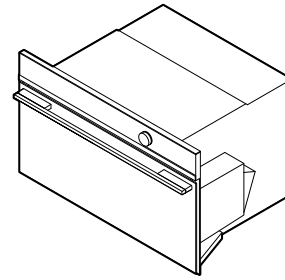
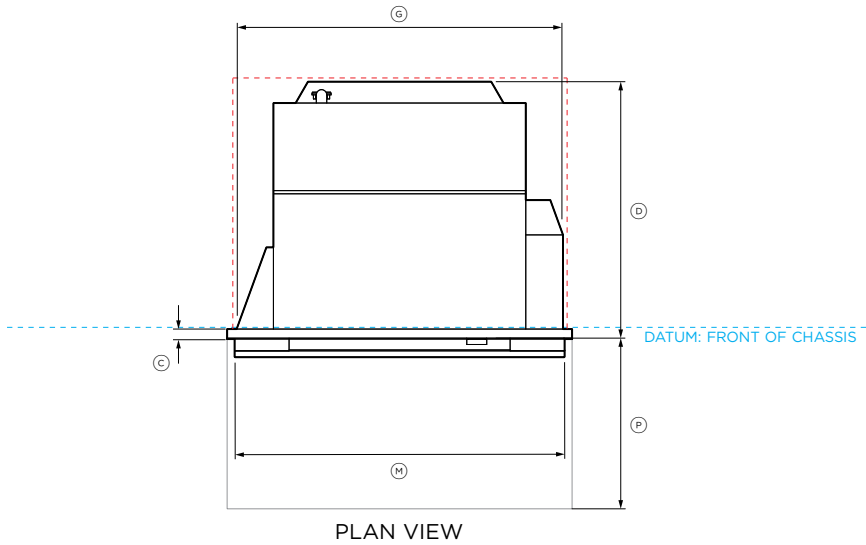
**Rear ventilation totalling 280cm² is required. The air vent must be located at the rear of cabinet, it can be positioned at the base, sides, back or top of the cavity.

NOTE: For full installation and clearance details please refer to our installation manual.

INDICATES CABINETRY / PRODUCT DATUM

INDICATES CABINETRY CLEARANCES

IMPORTANT NOTE: Throughout this guide, dimensions may vary by ±2mm (1/16"). Please read the Installation Guide for detailed information on installing the product. For full installation instructions visit fisherpaykel.com



Model no:

Combination Steam Oven, 76cm - OS76NDTDB1

Product Dimensions

	mm
A Overall height of product	458
B Overall width of product	760
C Depth of control panel (excludes handle, front black aluminum trim and dial)	20
D Depth of chassis and control panel (excludes handle, front black aluminum trim and dial)	565
E Depth of chassis	545
F Height of chassis	435
G Width of chassis	720
H Height of control panel	100
I Height of black aluminum trim on control panel	20
J Height from bottom datum to top of oven door	347
K Height from bottom datum to centerline of handle	324
L Height from bottom datum to bottom of door	12
M Width of handle	727
N Depth of handle	42
O Thickness of handle	16
P Depth of door when open (measured from front of door)	320

Minimum Clearances - Flush Installation

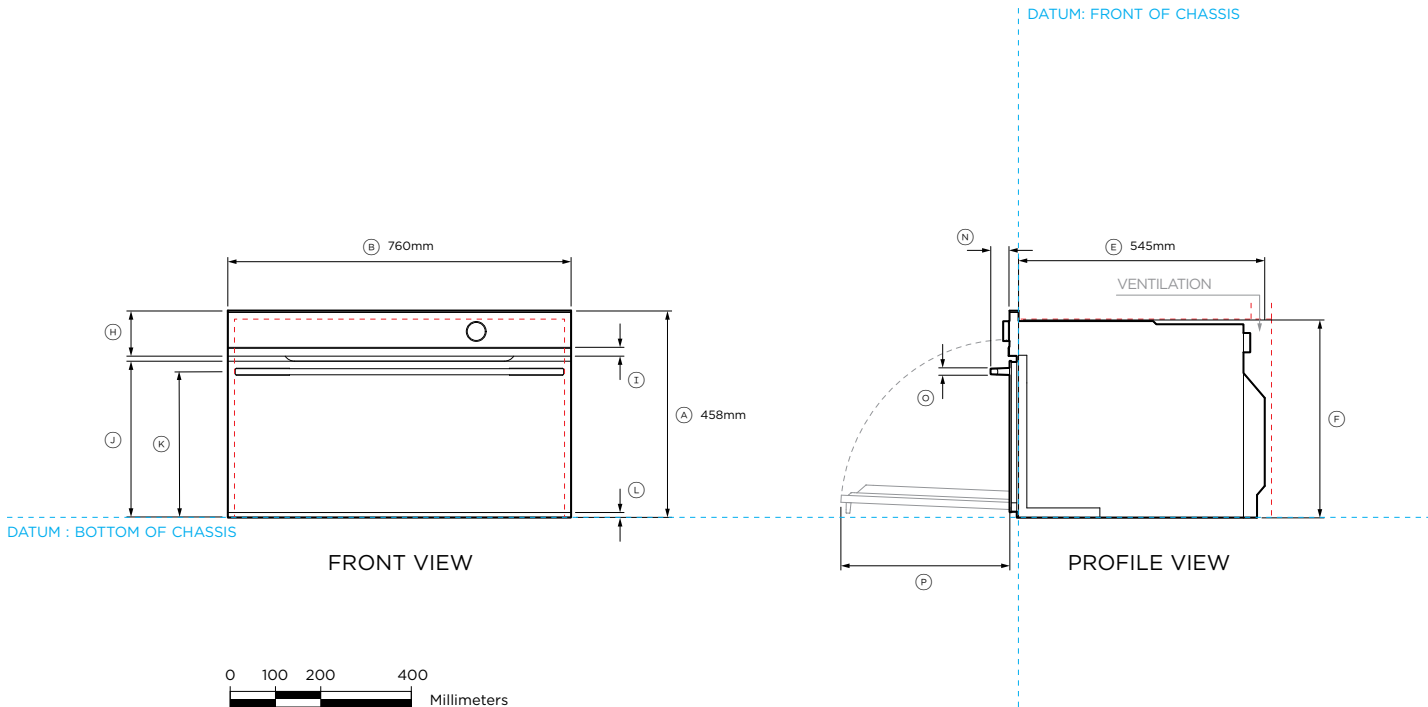
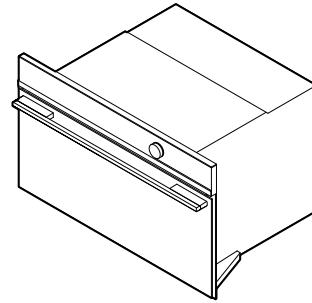
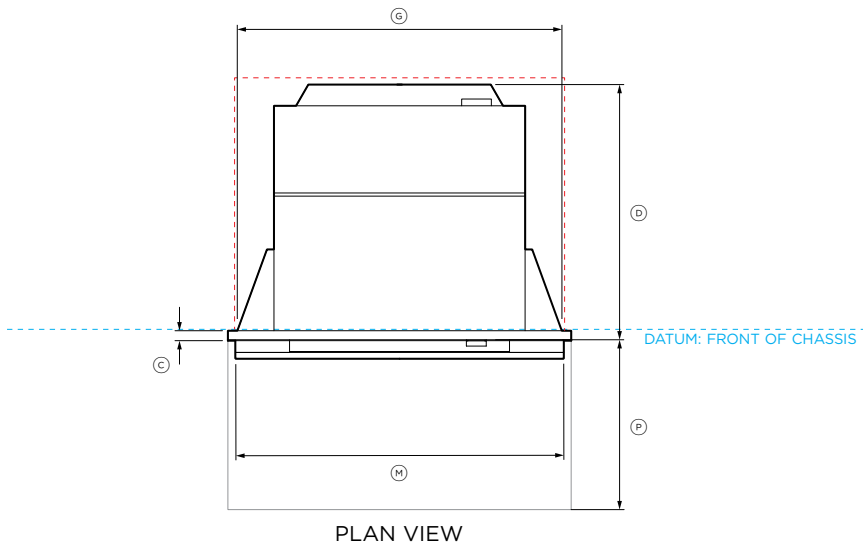
	mm
Minimum inside height of cavity	440
Minimum inside width of cavity	724
Minimum inside depth of cavity*	570
Minimum clearance above oven control panel to upper cabinetry front panel or appliance	2
Minimum clearance between bottom of oven chassis to lower cabinetry front panel or appliance	2

*Measured from front of control panel
Ensure a 5mm minimum clearance is maintained between the top of the oven chassis and the cabinetry. Ensure the oven is not bearing any weight from cabinetry or products installed above.

NOTE: For full installation and clearance details please refer to our installation manual.

INDICATES CABINETRY / PRODUCT DATUM -----
INDICATES CABINETRY CLEARANCES - - - - -

IMPORTANT NOTE: Throughout this guide, dimensions may vary by ±2mm (1/16"). Please read the Installation Guide for detailed information on installing the product. For full installation instructions visit fisherpaykel.com



Model no:

Combination Microwave Oven, 76cm - OM76NDTDB1

Product Dimensions

	mm
Ⓐ Overall height of product	458
Ⓑ Overall width of product	760
Ⓒ Depth of control panel (excludes handle, front black aluminum trim and dial)	20
Ⓓ Depth of chassis and control panel (excludes handle, front black aluminum trim and dial)	565
Ⓔ Depth of chassis	545
Ⓕ Height of chassis	435
Ⓖ Width of chassis	720
Ⓜ Height of control panel	100
Ⓣ Height of black aluminum trim on control panel	20
ⓙ Height from bottom datum to top of oven door	347
Ⓚ Height from bottom datum to centerline of handle	324
Ⓛ Height from bottom datum to bottom of door	12
Ⓜ Width of handle	727
Ⓝ Depth of handle	42
Ⓞ Thickness of handle	16
Ⓟ Depth of door when open (measured from front of door)	320

Minimum Clearances - Flush Installation

	mm
Minimum inside height of cavity	440
Minimum inside width of cavity	724
Minimum inside depth of cavity*	570
Rear ventilation depth**	50
Rear ventilation width**	560
Minimum clearance above oven control panel to upper cabinetry front panel or appliance	2
Minimum clearance between bottom of oven chassis to lower cabinetry front panel or appliance	2

*Measured from front of control panel
 **Rear ventilation totalling 280cm² is required. The air vent must be located at the rear of cabinet, it can be positioned at the base, sides, back or top of the cavity.

NOTE: For full installation and clearance details please refer to our installation manual.

INDICATES CABINETRY / PRODUCT DATUM -----
 INDICATES CABINETRY CLEARANCES - - - - -

IMPORTANT NOTE: Throughout this guide, dimensions may vary by ±2mm (1/16"). Please read the Installation Guide for detailed information on installing the product. For full installation instructions visit fisherpaykel.com

PLANNING CONSIDERATIONS

BLACK CLASHING

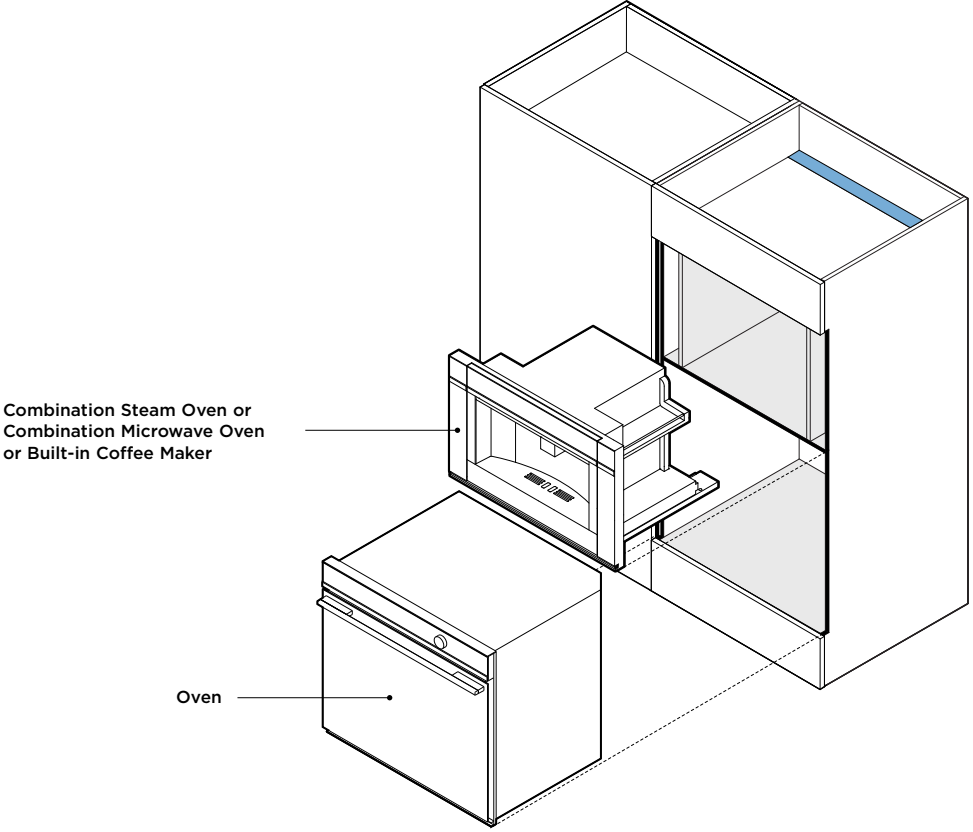
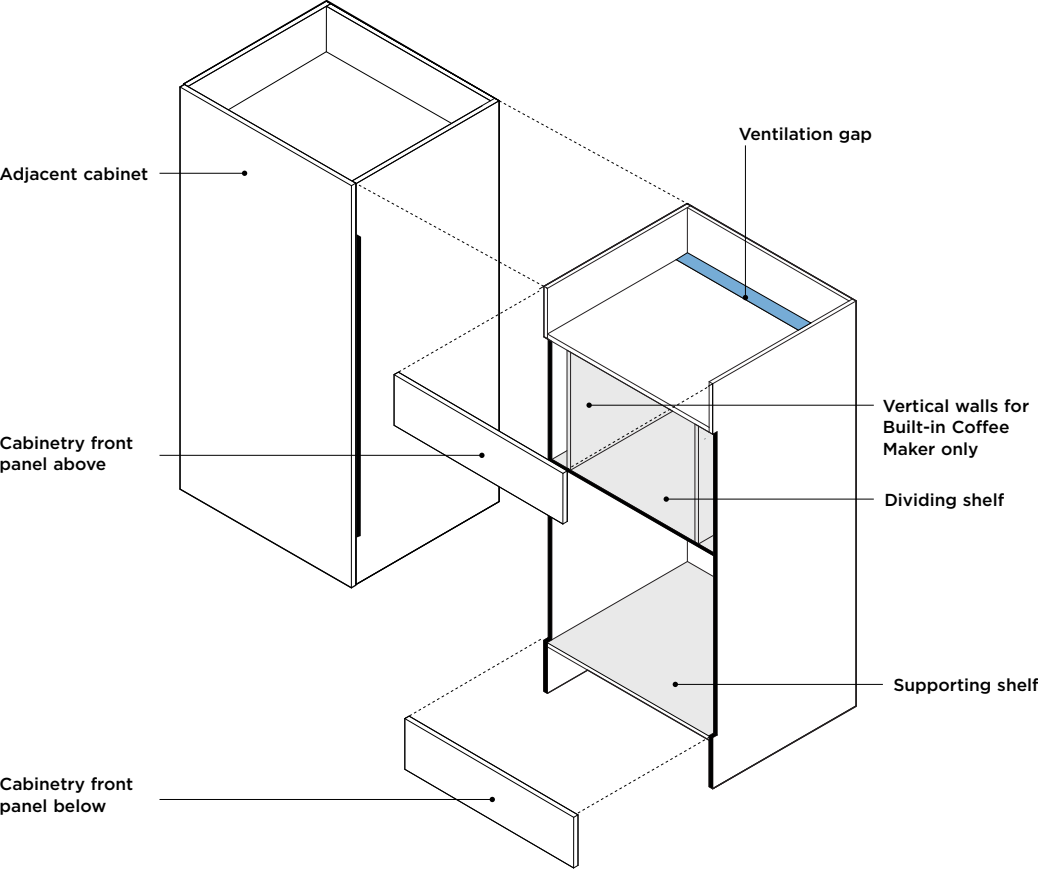
Black clashing recommended on front facing edges where products are located and on side cabinets if cabinet is rebated.

DIVIDING SHELF

If the cabinetry front panels are thinner than 20mm (less than the thickness of the appliance front) a rebate is required for the appliance to achieve a flush finish.

LEVEL CABINETS

Check the shelves are level and the side panels are straight.



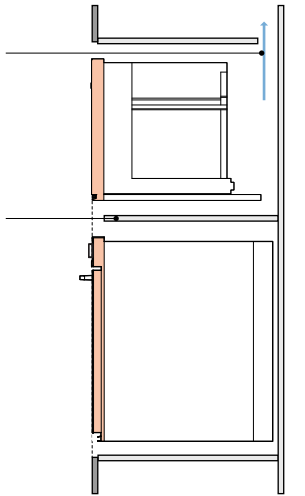
The models shown in this Planning Guide may not be available in all markets and are subject to change at any time. Product specifications may vary from those shown. This Planning Guide should not be used as installation guidance for any product. Further information is required to safely and correctly install the products featured here. Specific installation guidance will be available on our website fisherpaykel.com

Ventilation air vent is required at rear for some products.

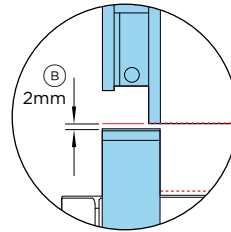
Dividing shelves are required to support stacked appliances and to achieve correct clearance.

Dividing shelves must be constructed from material that will support the weight of the appliances.

Ensure the oven is not bearing any weight from cabinetry or products installed above.



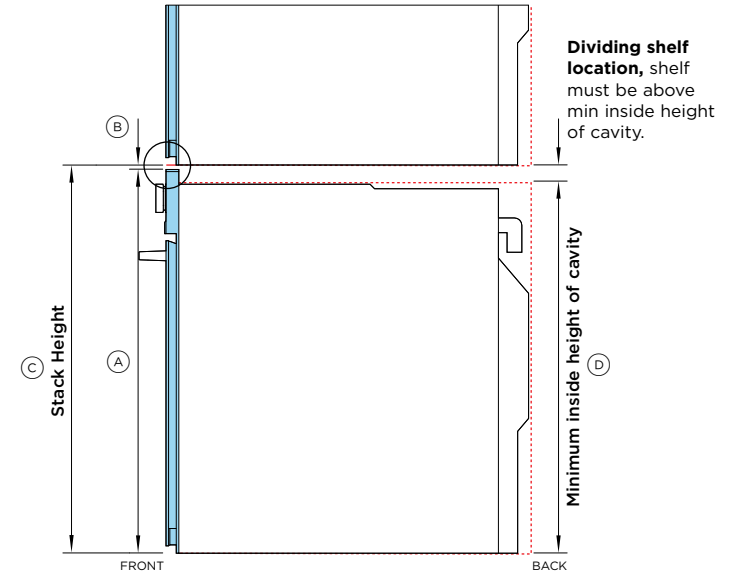
STACK EXPLODED
PROFILE VIEW



Minimum clearance above appliance control panel to upper appliance

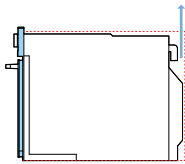
STACK HEIGHT

$$\begin{aligned}
 & \textcircled{A} \text{ Overall product height} \\
 & + \\
 & \textcircled{B} \text{ Minimum clearance above appliance control panel or} \\
 & \text{front panel to upper appliance} \\
 & = \\
 & \textcircled{C} \text{ Stacked Height}
 \end{aligned}$$

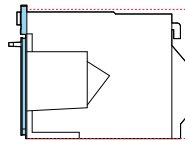


PRODUCT
PROFILE VIEW

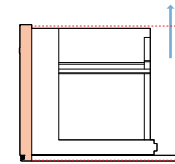
**MINIMUM
DIMENSION
CLEARANCES**



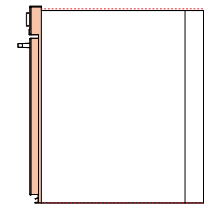
COMBINATION MICROWAVE OVEN
OM76NDTDB1



COMBINATION STEAM OVEN
OS76NDTDB1



BUILT-IN COFFEE MAKER
EB60DSXBB1
Trim Kit TK76NDBB1



OVEN
OB76SDPTDB1

DIMENSIONS

Ⓐ Overall product height	458mm	458mm	478mm*	690mm
Ⓑ Minimum clearance above	-	2mm	2mm	2mm
Ⓒ Stack height	460mm	460mm	480mm	692mm
Ⓓ Minimum inside height of cavity	440mm	440mm	470mm	681mm

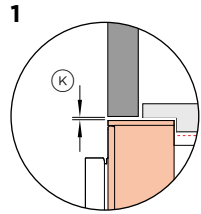
*Includes Built-in Coffee Maker rail height

NOTE: Stack height is overall product height with minimum clearance above appliance control panel or front panel to upper appliance.

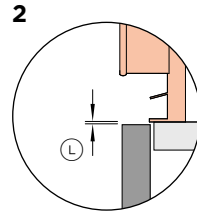
The models shown in this Planning Guide may not be available in all markets and are subject to change at any time. Product specifications may vary from those shown. This Planning Guide should not be used as installation guidance for any product. Further information is required to safely and correctly install the products featured here. Specific installation guidance will be available on our website fisherpaykel.com

COOKTOP CLEARANCE

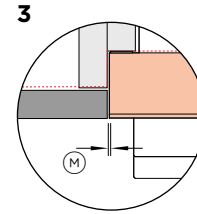
If installing a cooktop above the oven, ensure adequate clearance is provided for the cooktop as per the cooktop manufacturer's instructions.



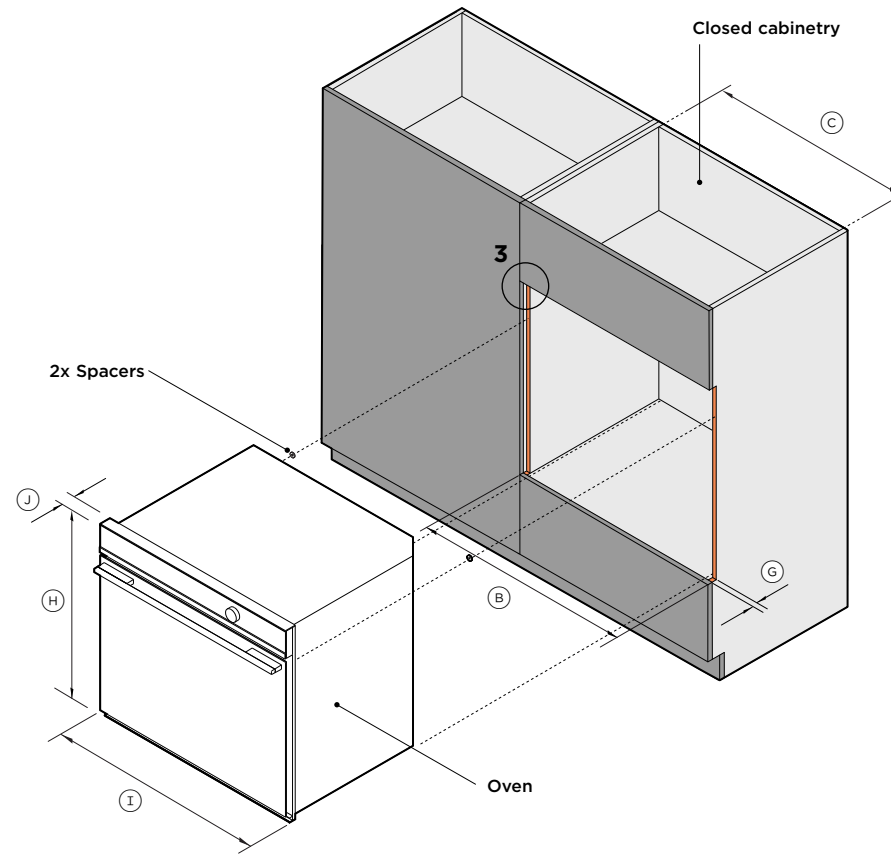
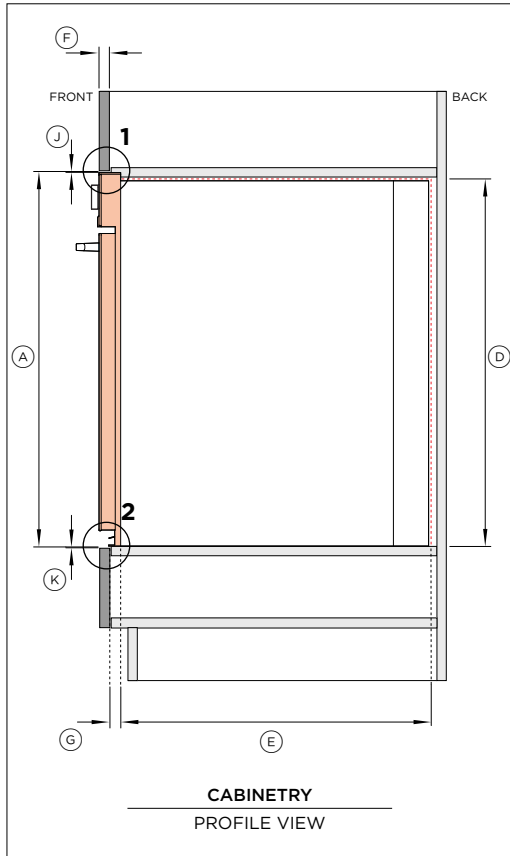
1
CLEARANCE ABOVE
PROFILE VIEW



2
CLEARANCE BOTTOM
PROFILE VIEW



3
ADJACENT CABINET
PLAN VIEW



Model no:

Oven, 76cm - OB76SDPTDB1

Cabinetry Dimensions - Flush Installation

	mm
Ⓐ Overall cabinet height*	692
Ⓑ Overall cabinet width	764
Ⓒ Minimum inside width of cavity	724
Ⓓ Minimum inside height of cavity	681
Ⓔ Minimum inside depth of cavity	575
Ⓕ Thickness of cabinetry front panel**	19
Ⓖ Thickness of rebate for control panel***	23

*Overall cabinet height is overall product height with minimum clearance above oven control panel to upper cabinetry front panel

**Cabinetry shown in drawings 19mm panels

***Oven requires 2mm spacers for screws (supplied x 2)

Product Dimensions

	mm
Ⓗ Overall height of product	690
Ⓙ Overall width of product	760
Ⓚ Thickness of oven control panel	40

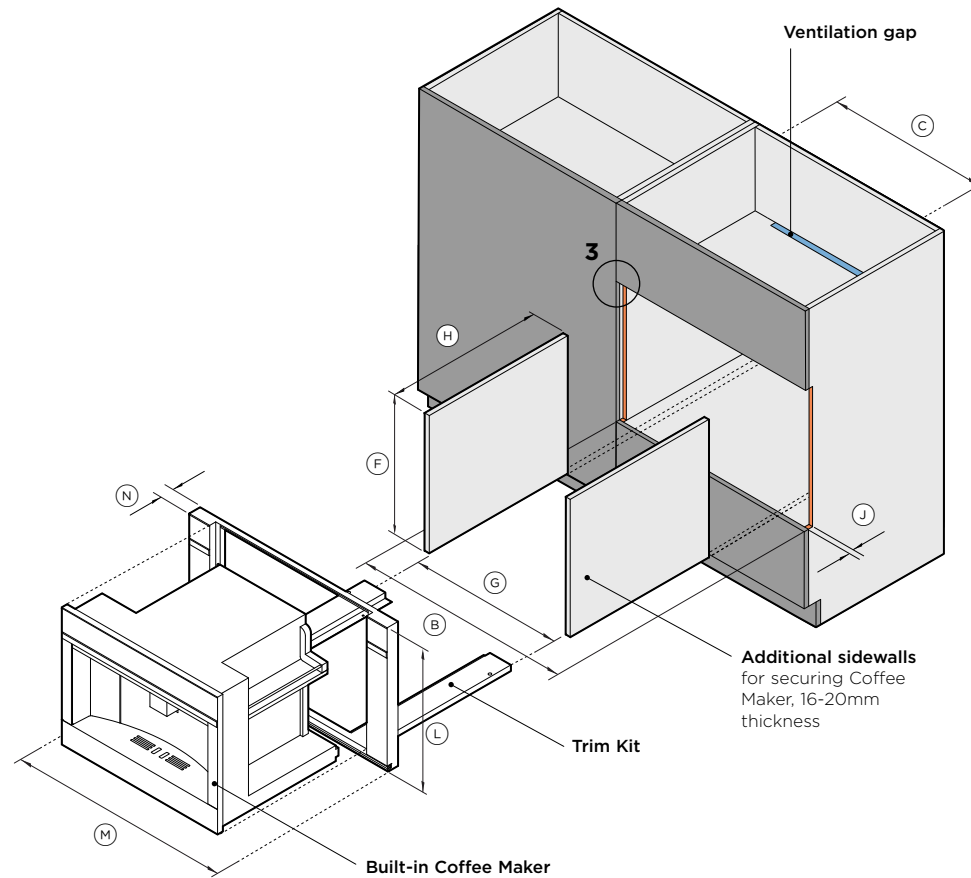
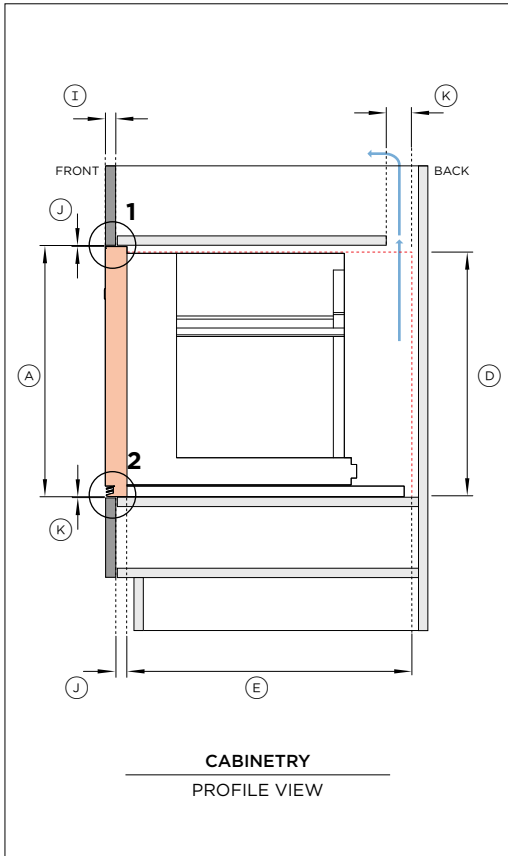
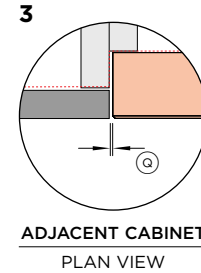
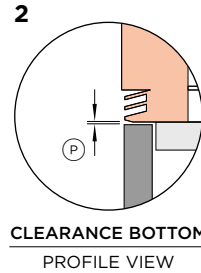
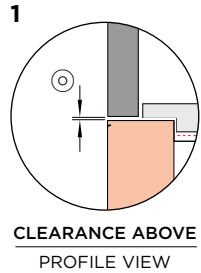
Cabinetry Clearances

	mm
Ⓛ Minimum clearance above oven control panel to upper cabinetry front panel	2
Ⓜ Minimum clearance between bottom of oven chassis to lower cabinetry front panel	2
Ⓨ Minimum clearance between adjacent front panel or appliance	2

The models shown in this Planning Guide may not be available in all markets and are subject to change at any time. Product specifications may vary from those shown. This Planning Guide should not be used as installation guidance for any product. Further information is required to safely and correctly install the products featured here. Specific installation guidance will be available on our website fisherpaykel.com

VENTILATION

Ventilation of 50mm x 560mm or totalling 280cm² is required. The air vent must be located at the rear of cabinet, it can be positioned at the base, top, sides, or back.



Model no:

Built-in Coffee Maker, 60cm - EB60DSXBB1
Trim Kit, 76cm - TK76NDBB1

Cabinetry Dimensions - Flush Installation

	mm
Ⓐ Overall cabinet height with trim kit*	480
Ⓑ Overall cabinet width	764
Ⓒ Minimum inside width of cavity	560
Ⓓ Minimum inside height of cavity	470
Ⓔ Minimum inside depth of cavity	570
Ⓕ Minimum height of additional side walls	470
Ⓖ Width between additional side walls	560
Ⓗ Minimum depth of additional side walls	570
Ⓘ Thickness of cabinetry front panel**	19
Ⓣ Thickness of rebate for control panel	21
Ⓚ Ventilation gap***	50

*Overall cabinet height is overall product height with minimum clearance above coffee maker control panel to upper cabinetry front panel

**Cabinetry shown in drawings 19mm panels.

***A rear ventilation air vent totalling 280cm² is required. The air vent must be located at the rear of the cabinet, it can be positioned at the base, sides, back or top of the cavity.

Product Dimensions

	mm
Ⓛ Overall height of trim kit	478
Ⓜ Overall width of trim kit	757
Ⓝ Thickness of trim kit front panel	40

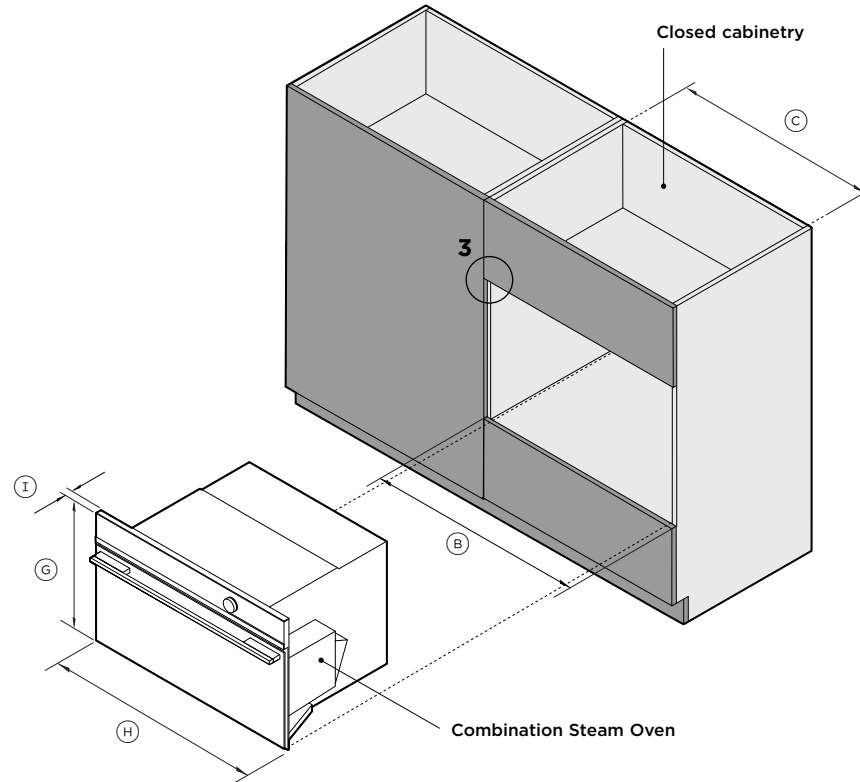
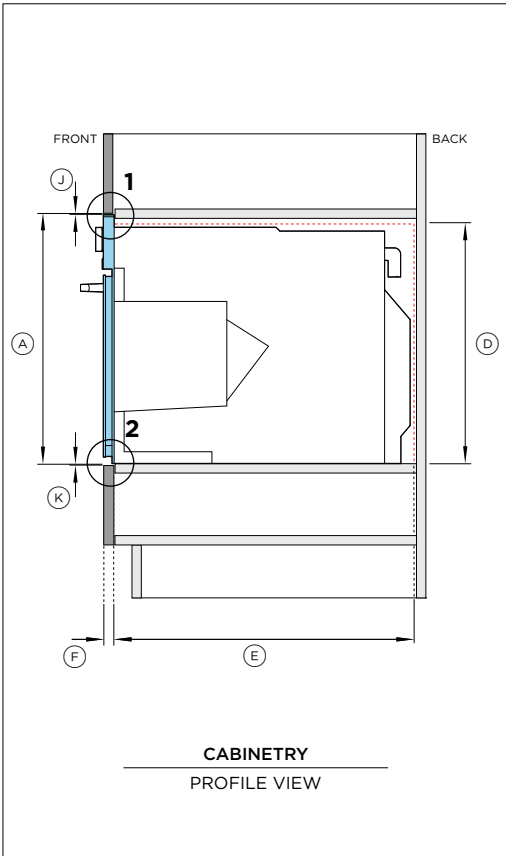
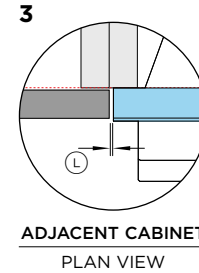
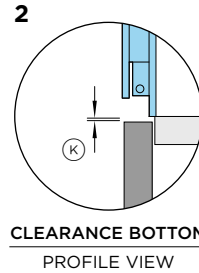
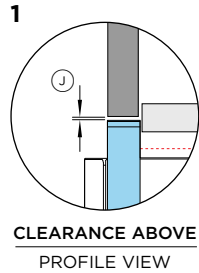
Cabinetry Clearances

	mm
Ⓒ Minimum clearance above trim kit front panel to upper cabinetry front panel	2
Ⓓ Minimum clearance between bottom of trim kit to lower cabinetry front panel	2
Ⓔ Minimum clearance between adjacent front panel or appliance	2

The models shown in this Planning Guide may not be available in all markets and are subject to change at any time. Product specifications may vary from those shown. This Planning Guide should not be used as installation guidance for any product. Further information is required to safely and correctly install the products featured here. Specific installation guidance will be available on our website fisherpaykel.com

COOKTOP CLEARANCE

If installing a cooktop above the oven, ensure adequate clearance is provided for the cooktop as per the cooktop manufacturer's instructions.



Model no:

Combination Steam Oven, 76cm - OS76NDTDB1

Cabinetry Dimensions - Flush Installation

	mm
Ⓐ Overall cabinet height*	460
Ⓑ Overall cabinet width	764
Ⓒ Minimum inside width of cavity	724
Ⓓ Minimum inside height of cavity	440
Ⓔ Minimum inside depth of cavity	550
Ⓕ Thickness of cabinetry front panel**	16-20

*Overall cabinet height is overall product height with minimum clearance above oven control panel to upper cabinetry front panel

**Cabinetry shown in drawings 19mm panels. If the front panel is thinner than 20mm a rebate for the Oven is required to achieve a flush finish

Product Dimensions

	mm
Ⓒ Overall height of product	458
Ⓓ Overall width of product	760
Ⓕ Thickness of oven front panel	20

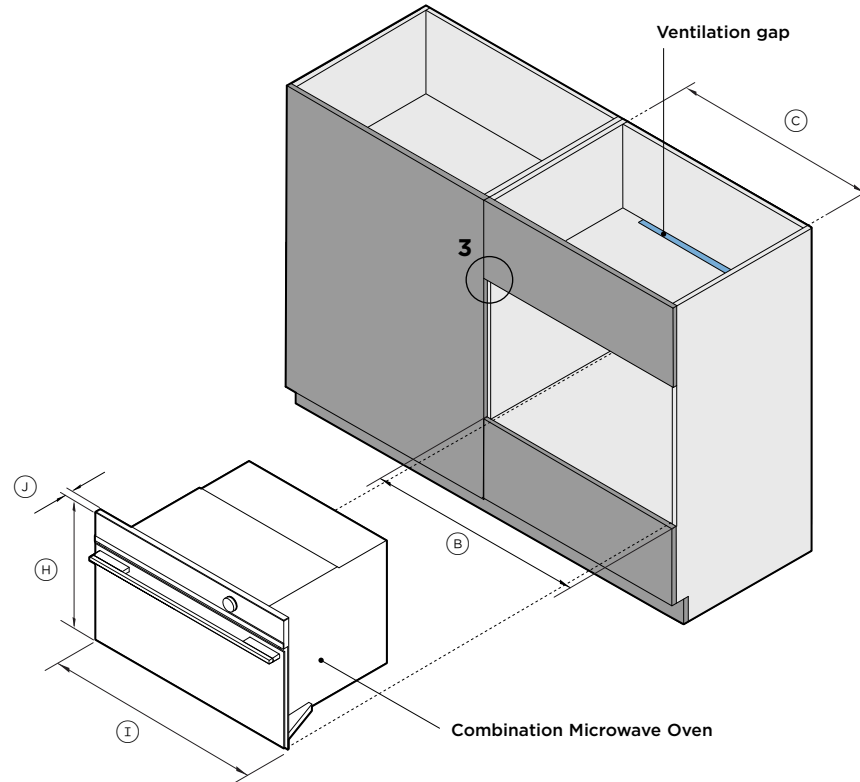
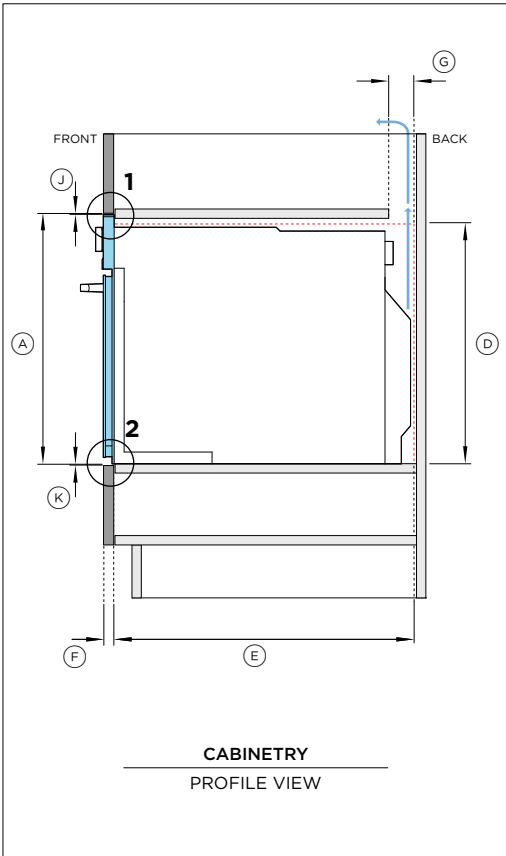
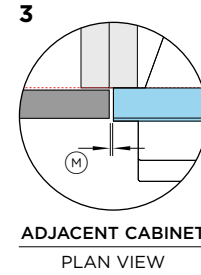
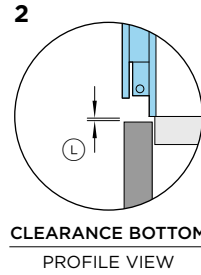
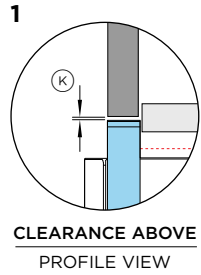
Cabinetry Clearances

	mm
Ⓐ Minimum clearance above oven control panel to upper cabinetry front panel	2
Ⓑ Minimum clearance between bottom of oven chassis to lower cabinetry front panel	2
Ⓒ Minimum clearance between adjacent front panel or appliance	2

The models shown in this Planning Guide may not be available in all markets and are subject to change at any time. Product specifications may vary from those shown. This Planning Guide should not be used as installation guidance for any product. Further information is required to safely and correctly install the products featured here. Specific installation guidance will be available on our website fisherpaykel.com

VENTILATION

Ventilation of 50mm x 560mm or totalling 280cm² is required. The air vent must be located at the rear of cabinet, it can be positioned at the base, top, sides, or back.



Model no:

Combination Microwave Oven, 76cm - OM76NDTDB1

Cabinetry Dimensions - Flush Installation

	mm
Ⓐ Overall cabinet height*	460
Ⓑ Overall cabinet width	764
Ⓒ Minimum inside width of cavity	724
Ⓓ Minimum inside height of cavity	440
Ⓔ Minimum inside depth of cavity	550
Ⓕ Thickness of cabinetry front panel**	16-20
Ⓖ Ventilation gap***	50

*Overall cabinet height is overall product height with minimum clearance above oven control panel to upper cabinetry front panel

**Cabinetry shown in drawings 19mm panels. If the front panel is thinner than 20mm a rebate for the Oven is required to achieve a flush finish

***A rear ventilation air vent totalling 280cm² is required. The air vent must be located at the rear of the cabinet, it can be positioned at the base, sides, back or top of the cavity.

Product Dimensions

	mm
Ⓐ Overall height of product	458
Ⓓ Overall width of product	760
Ⓕ Thickness of oven front panel	20

Cabinetry Clearances

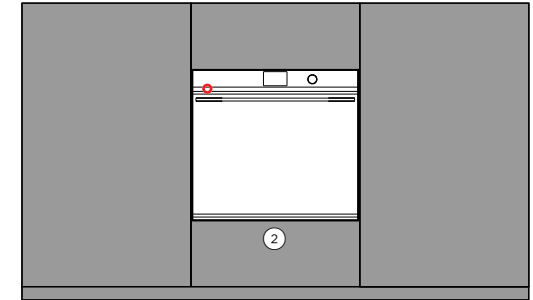
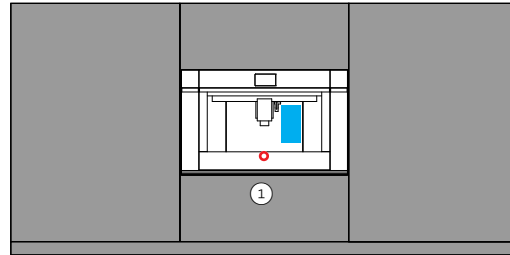
	mm
Ⓚ Minimum clearance above oven control panel to upper cabinetry front panel	2
Ⓘ Minimum clearance between bottom of oven chassis to lower cabinetry front panel	2
Ⓛ Minimum clearance between adjacent front panel or appliance	2

The models shown in this Planning Guide may not be available in all markets and are subject to change at any time. Product specifications may vary from those shown. This Planning Guide should not be used as installation guidance for any product. Further information is required to safely and correctly install the products featured here. Specific installation guidance will be available on our website fisherpaykel.com

SERVICES

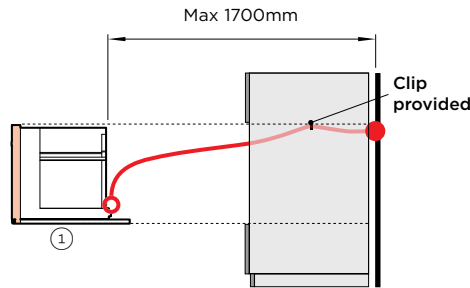
CONNECTION

Connections may be located in an adjacent cabinet to either side of the appliance. Ensure power will remain accessible following install to allow access for any future product maintenance.

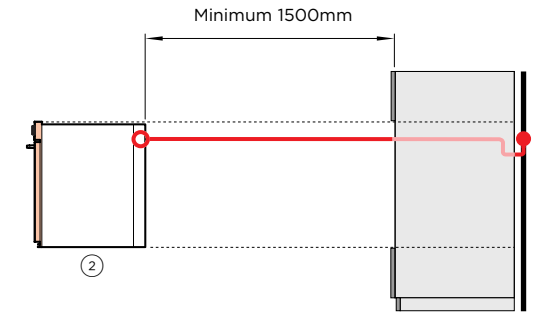


BUILT-IN COFFEE MAKER

The power cable must be long enough to allow the appliance to be extracted from the cabinet to fill the coffee bean container. Fix the power cable with the clip.



① BUILT-IN COFFEE MAKER
EB60DSXBBI



② OVEN
OB76SDPTDB1

- Power Cable
- Water Tank

POWER CORD

Power cord free length	1700mm	1500mm*
Location	Lower centered	Upper left
Connection	Flex cord	Hard wire**

*The electrician provides sufficient free length of power supply cable to reach from the bottom rear of the cavity to at least 1500mm in front of the bottom edge of the opening

**For more information, refer to the Installation Guide. Ensure power will remain accessible following install to allow access for any future product maintenance.

WATER

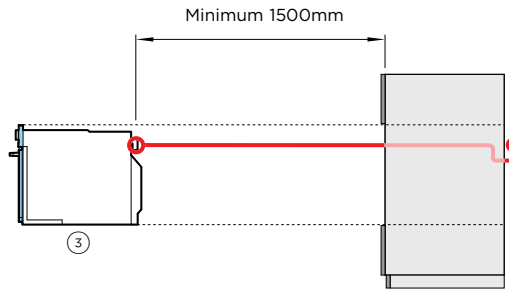
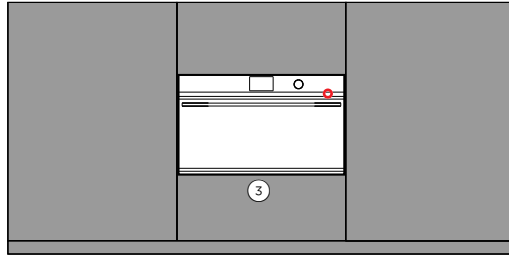
Total Capacity	2.4L	-
Location	Water tank (internal)	-

ELECTRICAL

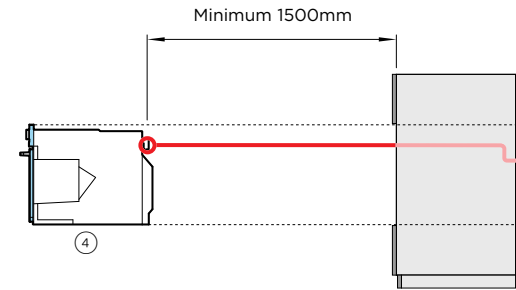
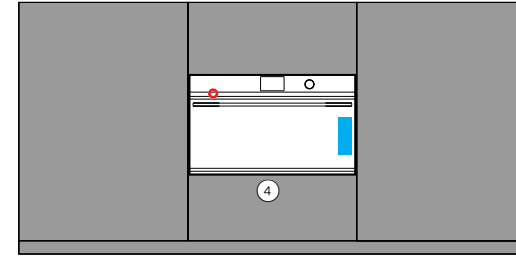
Supply	220-240 V, 50 Hz	220-240 V, 50 Hz
Service	10 A	20 A

Note: Multiple product installation requires the design of power outlets according to local regulations.



The models shown in this Planning Guide may not be available in all markets and are subject to change at any time. Product specifications may vary from those shown. This Planning Guide should not be used as installation guidance for any product. Further information is required to safely and correctly install the products featured here. Specific installation guidance will be available on our website fisherpaykel.com



③ COMBINATION MICROWAVE OVEN
OM76NDTDB1



④ COMBINATION STEAM OVEN
OS76NDTDB1

 Power Cable
 Water Tank

POWER CORD	
Power cord free length	Minimum 1500mm*
Location	Upper right
Connection	Hard wire**

*The electrician provides sufficient free length of power supply cable to reach from the bottom rear of the cavity to at least 1500mm in front of the bottom edge of the opening
 **For more information, refer to the Installation Guide. Ensure power will remain accessible following install to allow access for any future product maintenance.

WATER	
Total Capacity	-
Location	-

ELECTRICAL	
Supply	220-240 V, 50 Hz
Service	20 A

Note: Multiple product installation requires the design of power outlets according to local regulations.

Power cord free length	Minimum 1500mm*
Location	Upper left
Connection	Hard wire**

Total Capacity	1.4L
Location	Water tank (internal)

Supply	220-240 V, 50 Hz
Service	20 A

The models shown in this Planning Guide may not be available in all markets and are subject to change at any time. Product specifications may vary from those shown. This Planning Guide should not be used as installation guidance for any product. Further information is required to safely and correctly install the products featured here. Specific installation guidance will be available on our website fisherpaykel.com

