

2.1M HIGH INTEGRATED REFRIGERATION

PLANNING GUIDE

RS4621F | RS6121F | RS6121S | RS6121V | RS6121W | RS7621F | RS7621S | RS7621W | RS9121W

FISHER & PAYKEL

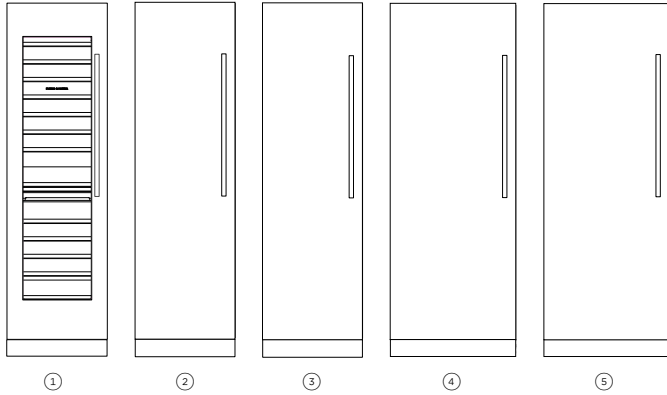
This comprehensive Planning Guide provides you with the framework and tools to achieve your desired design outcome with Fisher & Paykel appliances. In this guide, you will find a range of conceptual, detailed, and dimensional product information to bring your ideas to life and create spaces that truly reflect your vision.

CONTENTS

CONCEPT DESIGN	PAGE	DEVELOPED AND DETAILED DESIGN	PAGE	DEVELOPED AND DETAILED DESIGN	PAGE
Design Choices		Data Sheets		Cavity Preparation	
2.1m High refrigeration overview	4	46cm Freezer	16	Single cavity dimensions	29
Purchase decision	5	61cm Single door	17	Dual and triple cavity dimensions	30
Minimal configuration	6	61cm Refrigerator Freezer	18	Multiple model cavity dimensions	31
Integrated framed	7	61cm Wine cabinet	19	Varied model cavity dimensions	32
		76cm Single door	20		
Specification Guide		76cm Refrigerator Freezer	21	Custom Door Panel Preparation	
Specification Guide - K Models	9	91cm Refrigerator Freezer	22	Toe kick and panels - low and high options	34
Specification Guide - E Models	10			46cm Single door freezer	35
Accessories		Planning Considerations		61cm Single door refrigerators and freezers	36
Handles	12	Hinge articulation	24	61cm Refrigerator Freezer	37
Stainless steel panels and toe kicks	14	Panel variation examples	25	61cm Single door wine cabinet	38
		Door swing clearances	26	76cm Single door refrigerators and freezers	39
		Door opening & gap clearances	27	76cm Refrigerator Freezers	40
				91cm Refrigerator Freezer	41
				Services	
				46cm Freezer	43
				61cm Models	44
				76cm Models	45
				91cm Refrigerator freezer	46

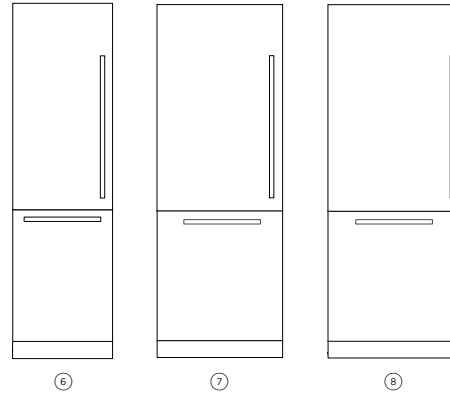
DESIGN CHOICES

REFRIGERATION



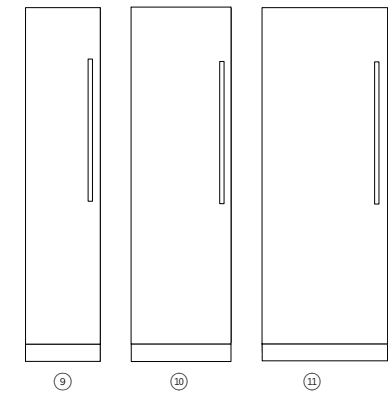
Product	Model
① 61cm Wine Cabinet 91 bottle capacity, optional display capability. Two independent temperature zones, four wine modes.	RS6121VL2K1, RS6121VR2K1
② 61cm Integrated Refrigerator Custom panel ready, with 351L capacity	RS6121SRK1
③ 61cm Integrated Refrigerator with water Custom panel ready, 351L with internal water dispenser.	RS6121SRHE1, RS6121SLHE1 RS6121SRHK1
④ 76cm Integrated Refrigerator Custom panel ready, with 463L capacity	RS7621SRK1
⑤ 76cm Integrated Refrigerator with water Custom panel ready, 463L with internal water dispenser.	RS7621SRHE1, RS7621SLHE1 RS7621SRHK1

REFRIGERATOR FREEZER



Product	Model
⑥ 61cm Integrated Refrigerator-Freezer Custom panel ready, 477L internal ice maker and water dispenser.	RS6121WRUE1, RS6121WLUE1 RS6121WRUK1, RS6121WLUK1
⑦ 76cm Integrated Refrigerator-Freezer Custom panel ready, 477L, internal ice maker and water dispenser.	RS7621WRUE1, RS7621WLUE1 RS7621WRUK1, RS7621WLUK1
⑧ 91cm Integrated Refrigerator-Freezer Custom panel ready, 477L, internal ice maker and water dispenser.	RS9121WRUVE1, RS9121WLUVE1

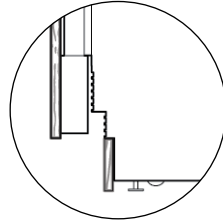
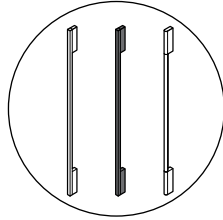
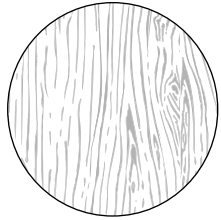
FREEZER



Product	Model
⑨ 46cm Freezer with Ice Custom panel ready, 242L and internal ice maker.	RS4621FRJE1, RS4621FLJE1 RS4621FRJK1
⑩ 61cm Integrated Freezer with ice Custom panel ready, 368L and internal ice maker and water dispenser.	RS6121FRJE1, RS6121FLJE1 RS6121FRJK1
⑪ 76cm Integrated Freezer with ice Custom panel ready, 477L and internal ice maker.	RS7621FRJE1, RS7621FLJE1 RS7621FRJK1

The models shown in this Planning Guide may not be available in all markets and are subject to change at any time. Product specifications may vary from those shown. This Planning Guide should not be used as installation guidance for any product. Further information is required to safely and correctly install the products featured here. Specific installation guidance will be available on our website fisherpaykel.com

INTEGRATED PANEL OPTIONS



PANEL HEIGHT

Panel heights can vary from 1970mm to 2080mm.

FINISH: Match or contrast with your kitchen cabinets.

CUSTOM HANDLES

Select Fisher & Paykel handles or customize handles to match your kitchen style.

ASSISTED OPENING ACCESSORY:

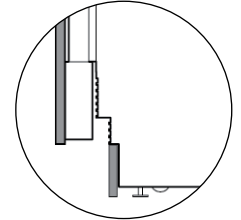
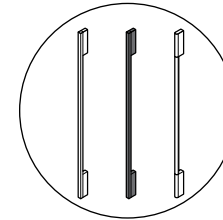
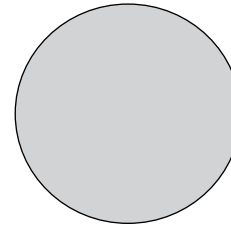
Push or pull-to-open functionality, check fisherpaykel.com for availability.

TOE KICK HEIGHT

Toe kick heights from 52mm to 152mm.

FINISH: Match or contrast with your kitchen cabinets

STAINLESS STEEL PANEL OPTIONS



PANEL

2029mm high, left or right hinging.

FINISH: Stainless Steel.

CUSTOM HANDLE

Select Fisher & Paykel handles.

HANDLES: Select handles to suit your cabinetry.

TOE KICK HEIGHT

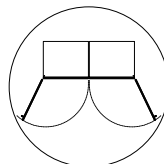
100mm high, lengths available from 457mm to 1828mm.

FINISH: Stainless Steel.

ALL MODELS

HINGING

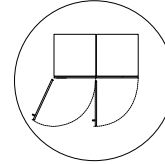
Left or right*



*Some models require a hinge conversion kit

DOOR SWING

90° or 115°



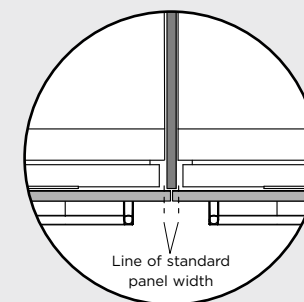
The models shown in this Planning Guide may not be available in all markets and are subject to change at any time. Product specifications may vary from those shown. This Planning Guide should not be used as installation guidance for any product. Further information is required to safely and correctly install the products featured here. Specific installation guidance will be available on our website fisherpaykel.com



INTEGRATED MINIMAL

- ① 91cm Refrigerator Freezer with ice, water
- ② 61cm Wine cabinet
- ③ 61cm Wine cabinet
- ④ 91cm Refrigerator Freezer
- ⑤ 61cm handleless combination microwave oven (OM60NMTNB), handleless oven (OB60SMPTNB1) and warming drawer (WB60SMB1-SET)
- ⑥ 61cm Built-in coffee maker (EB60MSB1), 61cm handleless oven (OB60SMPTNB1) and vacuum drawer (VB60SMB1-SET)

In this configuration:
 Ceiling height: 2400mm Product cavity height: 2.1m Toe kick: 51mm Panel height: 2080mm, Panel gap and opening clearance: 3mm



The maximum number of appliances per cavity is three. If two cavities are required, a spacer with wider panels can be used.

The models shown in this Planning Guide may not be available in all markets and are subject to change at any time. Product specifications may vary from those shown. This Planning Guide should not be used as installation guidance for any product. Further information is required to safely and correctly install the products featured here. Specific installation guidance will be available on our website fisherpaykel.com

**INTEGRATED FRAMED**

- ① 61cm Wine cabinet
- ② 61cm Freezer with ice
- ③ 61cm Refrigerator with water
- ④ 61cm Wine cabinet
- ⑤ Free-standing RIV-486 professional Induction range
- ⑥ Professional round handles aluminium

In this configuration:

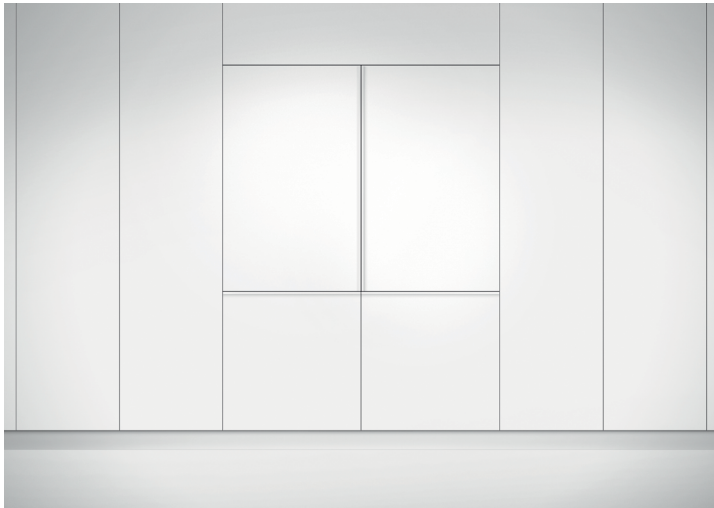
Product cavity height: 2.1m Toe kick: 102mm Panel height: 2029mm, Panel gap and opening clearance: 3"

SPECIFICATION GUIDE

SPECIFICATION GUIDE | Integrated Refrigeration 2.1m High



RS6121FRJE1, RS6121SRHE1 - with Custom Door Panel



RS6121FRJE1, RS6121SRHE1 - with Custom Door Panel

OVERVIEW

These Integrated Columns offer seamless design, flexible installation, and the ability to customize to match existing cabinetry. Features include two Variable Temperature Zones, bright LED lighting, and ActiveSmart™ technology for optimal freshness. With options for internal ice makers, joining kits, and premium finishes, these models provide lasting durability and a sleek design.

FEATURES

- 1 Customize with kitchen cabinetry or a stainless steel door panel accessory
- 2 Seamless fit with only 1/8" gaps, featuring no visible hinges or grilles
- 3 Mix and match columns, install separately or pair together
- 4 Two Variable Temperature Zones with options for Fridge, Pantry, Chill, Freeze, Soft Freeze, and Deep Freeze modes
- 5 Flexible installation with left or right hinge options
- 6 Intuitive, easy-to-use touchscreen interface with Wi-Fi compatibility
- 7 ActiveSmart™ technology maintains ideal temperature for fresher food
- 8 Bright LEDs illuminate ceiling, shelves, bins, and tray
- 9 Joining kit for pairing units; front adjustable levelling feet for easy installation
- 10 Premium finish with robust materials for long-lasting durability and sleek aesthetic

PRODUCT OVERVIEW

REFRIGERATION

RS6121VL2K1, RS6121VR2K1

Integrated Column Wine Cabinet, 61cm

RS6121SRK1

Integrated Column Refrigerator, 61cm

RS6121SRHK1

Integrated Column Refrigerator, 61cm, Water

RS7621SRK1

Integrated Column Refrigerator, 76cm

RS7621SRHK1

Integrated Column Refrigerator, 76cm, Water

FREEZER

RS4621FRJK1

Integrated Column Freezer, 46cm, Ice

RS6121FRJK1

Integrated Column Freezer, 61cm, Ice

RS7621FRJK1

Integrated Column Freezer, 76cm Ice & Water

REFRIGERATOR FREEZER

RS6121WRUK1, RS6121WLUK1

Integrated Refrigerator Freezer, 61cm, Ice & Water

RS7621WRUK1, RS7621WLUK1

Integrated Refrigerator Freezer, 76cm, Ice & Water

All models can achieve opposite hinge location using hinge kits

The models shown in this Planning Guide may not be available in all markets and are subject to change at any time. Product specifications may vary from those shown. This Planning Guide should not be used as installation guidance for any product. Further information is required to safely and correctly install the products featured here. Specific installation guidance will be available on our website fisherpaykel.com

SPECIFICATION GUIDE | Integrated Refrigeration 2.1m High



RS6121FRJE1, RS6121SRHE1 - with Custom Door Panel



RS9121WRUVE1 - with Custom Door Panel

OVERVIEW

Experience the pinnacle of refrigeration design with our most advanced Columns. Featuring elegant interiors and options for ice and water, these models embody premium functionality and style. Engineered for energy efficiency, they seamlessly integrate alone or paired. Available in various sizes, they ensure a perfect fit for any kitchen.

FEATURES

- ① Premium interior for a refined look and feel, this model is the highlight of our Integrated Columns collection
- ② Designed for optimal energy performance and maximum efficiency
- ③ Mix and match columns, install separately or pair together
- ④ Seamless fit with only 1/8" gaps, featuring no visible hinges or grilles
- ⑤ Customize with kitchen cabinetry or a stainless steel door panel accessory
- ⑥ Two Variable Temperature Zones with options for Fridge, Pantry, Chill, Freeze, Soft Freeze, and Deep Freeze modes
- ⑦ Intuitive, easy-to-use touchscreen interface with Wi-Fi compatibility
- ⑧ Flexible installation with left or right hinge options
- ⑨ Joining kit for pairing units; front adjustable levelling feet for easy installation
- ⑩ ActiveSmart™ technology maintains ideal temperature for fresher food

PRODUCT OVERVIEW

REFRIGERATION

RS6121SRHE1, RS6121SLHE1

Integrated Column Refrigerator, 61cm, Water

RS7621SRHE1, RS7621SLHE1

Integrated Column Refrigerator, 76cm, Water

FREEZER

RS4621FRJE1, RS4621FLJE1

Integrated Column Freezer, 46cm, Ice

RS6121FRJE1, RS6121FLJE1

Integrated Column Freezer, 61cm, Ice

RS7621FRJE1, RS7621FLJE1

Integrated Column Freezer, 76cm, Ice

REFRIGERATOR FREEZER

RS6121WRUE1, RS6121WLUE1

Integrated Refrigerator Freezer, 61cm, Ice & Water

RS7621WRUE1, RS7621WLUE1

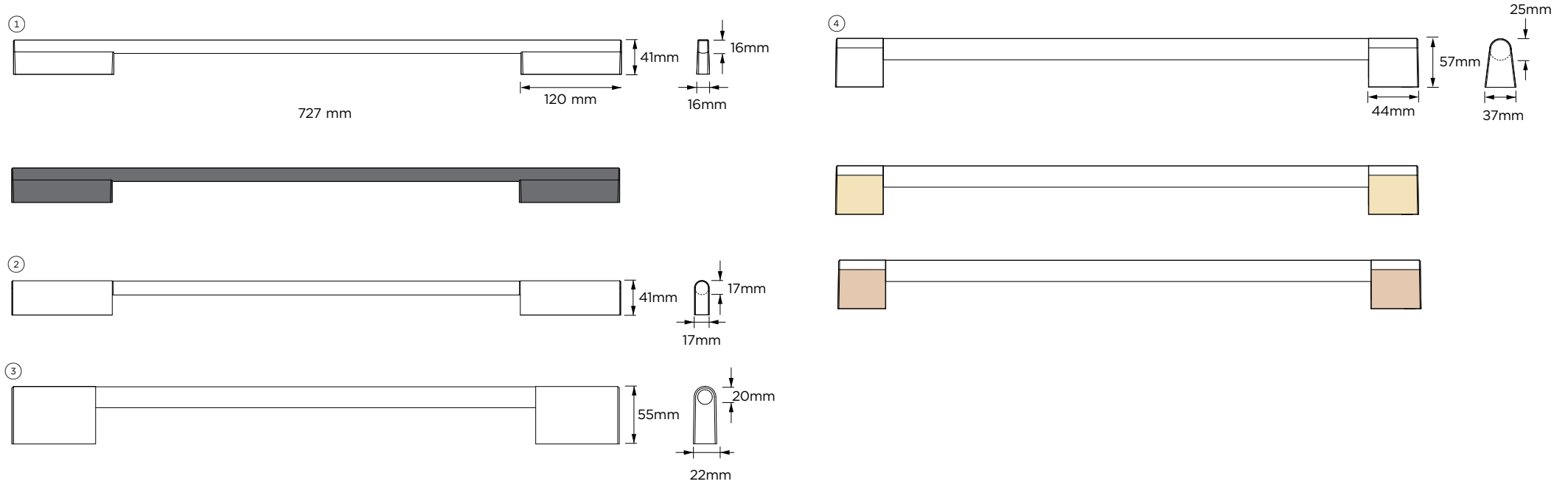
Integrated Refrigerator Freezer, 76cm, Ice & Water

RS9121WRUVE1, RS9121WLUVE1

Integrated Refrigerator Freezer, 91cm, Ice & Water

The models shown in this Planning Guide may not be available in all markets and are subject to change at any time. Product specifications may vary from those shown. This Planning Guide should not be used as installation guidance for any product. Further information is required to safely and correctly install the products featured here. Specific installation guidance will be available on our website fisherpaykel.com

ACCESSORIES



HANDLES

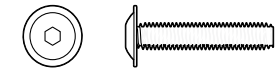
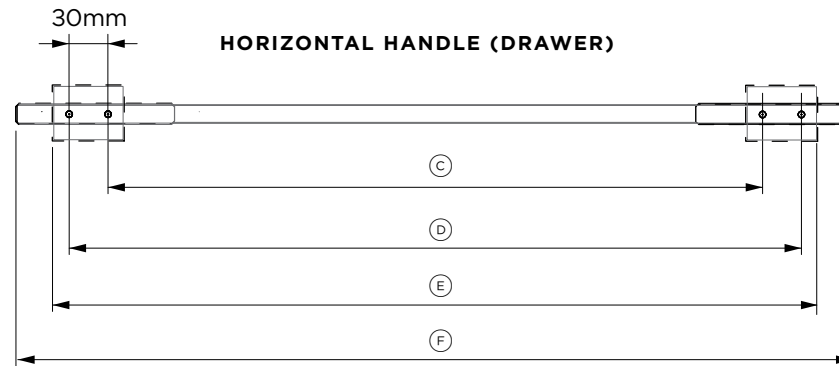
SINGLE DOOR MODELS	FINISH	MODELS
① Contemporary Square Fine	Aluminium	AHD5RDSF
	Black	AHD5RDSFB
② Contemporary Round	Aluminium	AHSRD84
③ Classic Handle	Aluminium	AHCLRDSF
	Aluminium	AHC-RD84
	Brass	AHP3RDSFBA
④ Professional Round	Dark Copper	AHP3RDSFDC

24" REFRIGERATOR FREEZER MODELS
AHD5RD6121W
AHD5RD6121WB
AHSRD6121W
AHCLRD6121W
AHCRD6121W
AHP3RD6121WBA
AHP3RD6121WDC

30" REFRIGERATOR FREEZER MODELS
AHD5RD7621W
AHD5RD7621WB
AHSRD7621W
AHCLRD7621W
AHCRD7621W
AHP3RD7621WBA
AHP3RD7621WDC

36" REFRIGERATOR FREEZER MODELS
AHD5RD9121W
AHD5RD9121WB
AHSRD9121W
AHCLRD9121W
AHCRD9121W
AHP3RD9121WBA
AHP3RD9121WDC

The models shown in this Planning Guide may not be available in all markets and are subject to change at any time. Product specifications may vary from those shown. This Planning Guide should not be used as installation guidance for any product. Further information is required to safely and correctly install the products featured here. Specific installation guidance will be available on our website fisherpaykel.com



SOCKET SCREWS

M5 X 25mm Pan Head Socket Screw
(4 per handle) suits standard 19mm (3/4") panel.
Thicker panels may require counterboring or longer screws.

SINGLE DOOR MODELS

Vertical Handle	in	mm
Ⓐ Length between outer screws	28 1/32	712
Ⓑ Length between screws	30 13/32	773

24" REFRIGERATOR FREEZER MODELS

Vertical Handle	in	mm
Ⓐ Length between inner screws	23 3/32	587
Ⓑ Length between outer screws	25 15/32	647
Horizontal Handle		
Ⓒ Length between inner screws	13 29/32	353
Ⓓ Length between outer screws	16 9/32	414
Ⓔ Overall length - Professional Round	14 7/16	367
Ⓕ Overall length - Contemporary	19 7/16	494

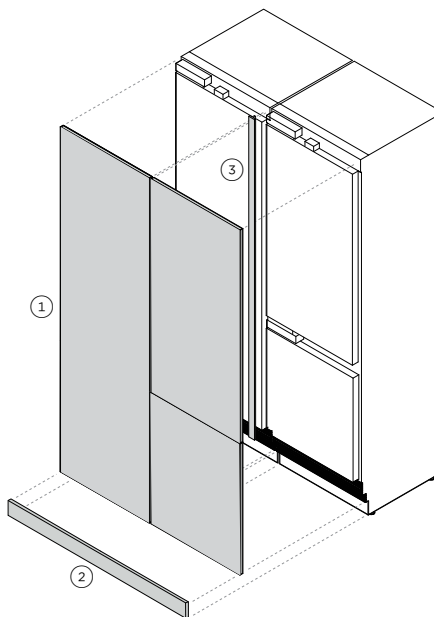
30" REFRIGERATOR FREEZER MODELS

Vertical Handle	in	mm
Ⓐ Length between inner screws	23 3/32	587
Ⓑ Length between outer screws	25 15/32	647
Horizontal Handle		
Ⓒ Length between inner screws	19 29/32	506
Ⓓ Length between outer screws	22 9/32	566
Ⓔ Overall length - Professional Round	22 27/32	580
Ⓕ Overall length - Contemporary	22 7/16	646

36" REFRIGERATOR FREEZER MODELS

Vertical Handle	in	mm
Ⓐ Length between inner screws	23 3/32	587
Ⓑ Length between outer screws	25 15/32	647
Horizontal Handle		
Ⓒ Length between inner screws	25 29/32	658
Ⓓ Length between outer screws	28 9/32	718
Ⓔ Overall length - Professional Round	28 13/16	748
Ⓕ Overall length - Contemporary	31 13/32	798

The models shown in this Planning Guide may not be available in all markets and are subject to change at any time. Product specifications may vary from those shown. This Planning Guide should not be used as installation guidance for any product. Further information is required to safely and correctly install the products featured here. Specific installation guidance will be available on our website fisherpaykel.com



① STAINLESS STEEL PANELS

SINGLE DOOR	MODEL LEFT	MODEL RIGHT
46cm Models	RD4621L10D	RD4621R10D
61cm Models	RD6121L10D	RD6121R10D
76cm Models	RD7621L10D	RD7621R10D

61CM REFRIGERATOR FREEZER	MODEL
Left hand hinging	RD6121WLD
Right hand hinging	RD6121WRD
61CM WINE CABINET	MODEL
Left hand hinging	RD6121VL4
Right hand hinging	RD6121VR4

76CM REFRIGERATOR FREEZER	MODEL
Left hand hinging	RD7621WLD
Right hand hinging	RD7621WRD

91CM REFRIGERATOR FREEZER	MODEL
Left hand hinging	RD9121WLD
Right hand hinging	RD9121WRD

② STAINLESS STEEL TOE KICKS

SINGLE TOE KICK	MODEL
46cm Models	AKRS04610
61cm Models	AKRS06110
76cm Models	AKRS7610
91cm Models	AKRS3604

DOUBLE TOE KICK	MODEL
46cm Models	N/A
61cm Models	AKRS12210
76cm Models	AKRS15210
91cm Models	AKRS7204

TRIPLE TOE KICK	MODEL
46cm Models	N/A
61cm Models	AKRS18310
76cm Models	N/A
91cm Models	N/A

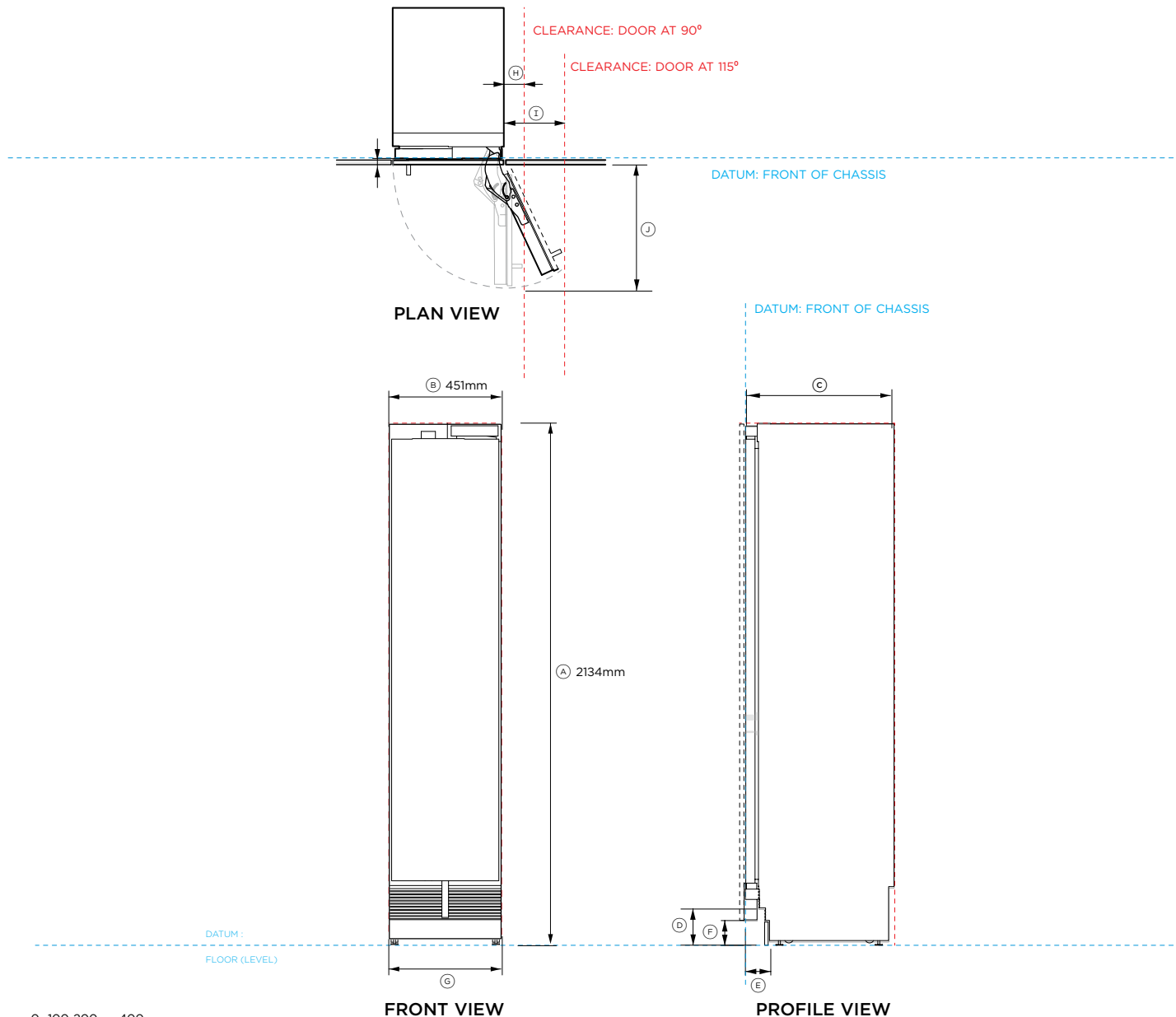
MULTIPLE	MODEL
61cm + 61cm + 76cm (1980mm)	AKRS19810
45.7cm + 76cm + 76cm (1980mm)	AKRS19810
61cm + 76cm + 76cm (2130mm)	AKRS21310
61cm + 61cm + 91cm (2130mm)	AKRS21310

③ JOINER KITS* (FOR MULTIPLE PRODUCT INSTALLATION)

All Models AJ-RS84LR A joiner kit is supplied with freezer models: RS7621FRJK1, RS7621FRJE1, RS6121FRJK1, RS6121FRJE1, RS4621FRJK1, and wine models: RS6121VR2K1, RS6121VL2K1

The models shown in this Planning Guide may not be available in all markets and are subject to change at any time. Product specifications may vary from those shown. This Planning Guide should not be used as installation guidance for any product. Further information is required to safely and correctly install the products featured here. Specific installation guidance will be available on our website fisherpaykel.com

DATA SHEETS



Model no:
RS4621FRJE1, RS4621FRJK1

Product Dimensions	in	mm
Ⓐ Overall height	84"	2134
Ⓑ Overall width	17 ¾"	451
Ⓒ Overall depth (excluding door panels)	24"	610
Ⓓ Floor to bottom of door	4"	102
Ⓔ Depth of toe kick (excluding panels)	2 ⅞ - 4"	73 - 102
Ⓕ Height of toe kick*	2 ⅞ - 6"	50 - 152
Ⓖ Width of toe kick	17 ⅞"	454

Door/Drawer Opening Dimensions*

Ⓜ Minimum door clearance** to adjacent wall (90° - reduced internal access)	4 ⅝"	110
Ⓨ Minimum door clearance** to adjacent wall* (115° - full internal access)	11 ½"	292
Ⓣ Depth of door (90° open) measured from front of door	20"	508

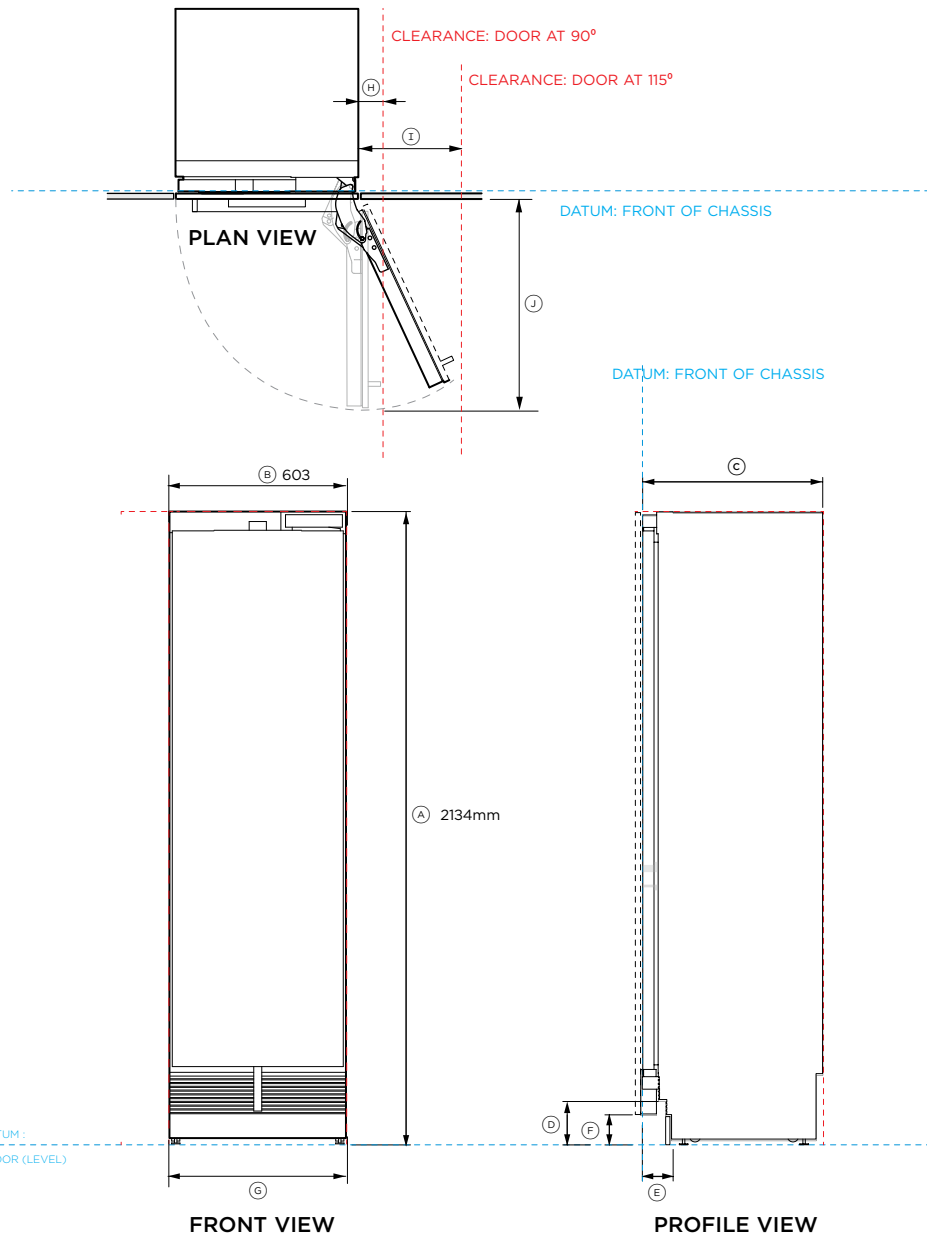
Clearance Dimensions*

Minimum cabinetry gap clearance from edge of door panel	⅞"	3
Cavity overall height	84"	2134
Cavity overall width (single)	18"	457
Cavity overall width (dual)	42"	915
Minimum overall depth (shallow) of cavity when services are located outside of cavity***	25"	635
Minimum overall depth (deep) of cavity when services are located at rear of cavity***	25 ⅞"	650

* Custom panels to be manufactured & fitted by cabinet maker.
 ** 100mm (3 ⅞") tall stainless steel toe kick panel available. Adjust the height of the door panel accordingly.
 ***Assumes a door panel depth of 19mm (¾").

INDICATES CABINETRY / PRODUCT DATUM -----
 INDICATES CABINETRY CLEARANCES - - - - -

IMPORTANT NOTE: Throughout this guide, dimensions may vary by ±2mm (1/16"). Please read the Installation Guide for detailed information on installing the product. For full installation instructions visit fisherpaykel.com



Model no:

RS6121SRHE1, RS6121SLHE1 RS6121FRJE1, RS6121FLJE1, RS6121SRK1
RS6121SRHK1, RS6121SRHK1

Product Dimensions*	in	mm
Ⓐ Overall height	84"	2134
Ⓑ Overall width	23 3/4"	603
Ⓒ Overall depth (excluding door panels)	24"	610
Ⓓ Floor to bottom of door	4"	102
Ⓔ Depth of toe kick (excluding panels)	2 7/8 - 4"	73 - 102
Ⓕ Height of toe kick**	2 1/16 - 6"	50 - 152
Ⓖ Width of toe kick	23 7/8"	606

Door/Drawer Opening Dimensions*

Ⓗ Minimum door clearance** to adjacent wall* (90° - reduced internal access)*	4 5/16"	110
Ⓘ Minimum door clearance** to adjacent wall* (115° - full internal access)	14"	356
⓵ Depth of door (90° open) measured from front of door	26"	660

Clearance Dimensions*

Minimum cabinetry gap clearance from edge of door panel	1/8"	3
Cavity overall height	84"	2134
Cavity overall width (single)	24"	610
Cavity overall width (dual)	48"	1219
Minimum overall depth (shallow) of cavity when services are located outside of cavity***	25"	635
Minimum overall depth (deep) of cavity when services are located at rear of cavity***	25 1/32"	650

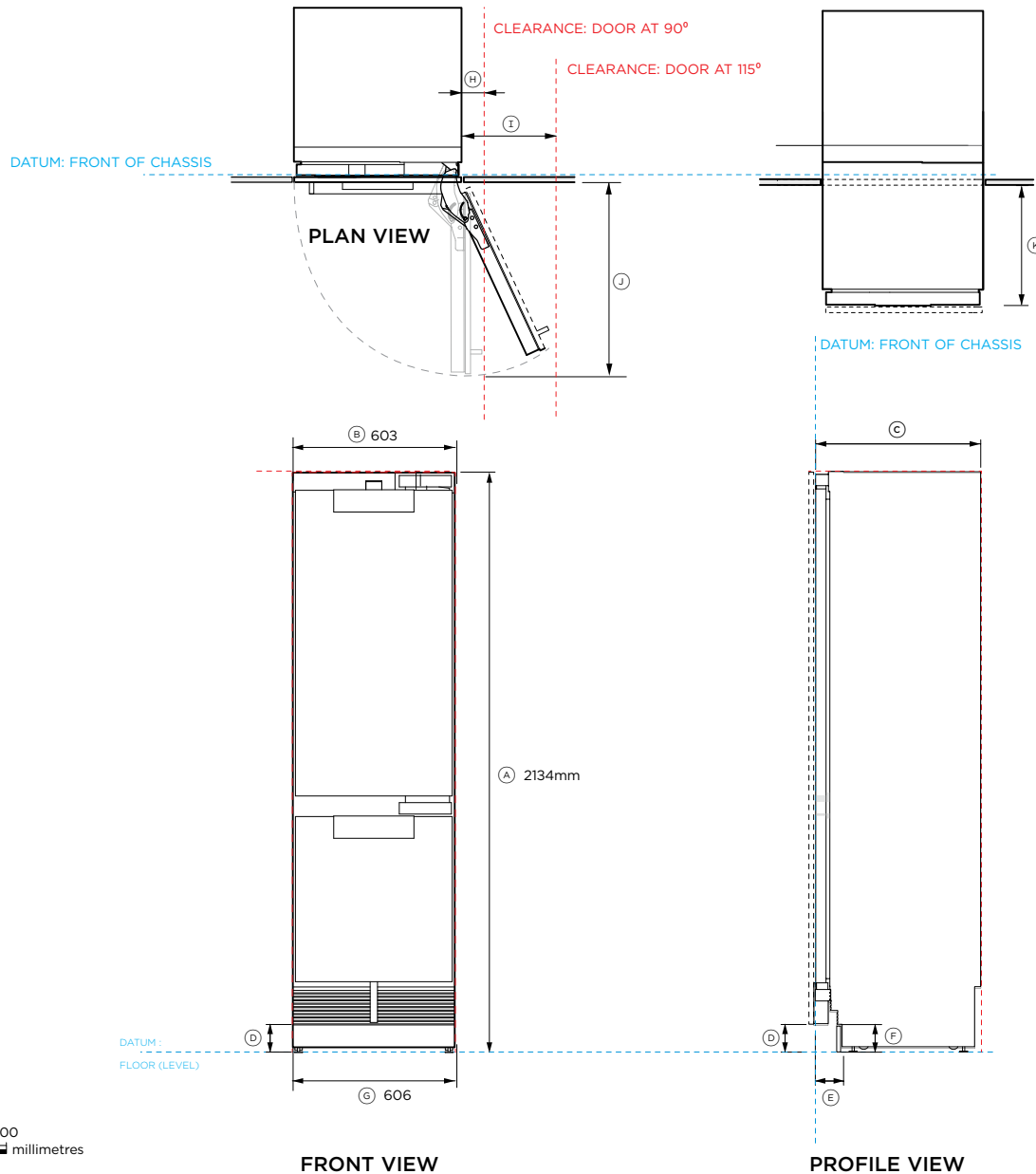
* Custom panels to be manufactured & fitted by cabinet maker.

** 100mm (3 1/16") tall stainless steel toe kick panel available. Adjust the height of the door panel accordingly.

***Assumes a door panel depth of 19mm (3/4").

INDICATES CABINETRY / PRODUCT DATUM -----
INDICATES CABINETRY CLEARANCES - - - - -

IMPORTANT NOTE: Throughout this guide, dimensions may vary by ±2mm (1/16"). Please read the Installation Guide for detailed information on installing the product. For full installation instructions visit fisherpaykel.com



Model no:
RS2484WLUE1, RS6121WRUE1, RS2484WLUK1, RS6121WRUK1

Product Dimensions*	in	mm
Ⓐ Overall height	84"	2134
Ⓑ Overall width	23 ¾"	603
Ⓒ Overall depth (excluding door panels)	24"	610
Ⓓ Floor to bottom of door	4"	102
Ⓔ Depth of toe kick (excluding panels)	2 ⅞" - 4"	73 - 102
Ⓕ Height of toe kick	2 ⅞" - 6"	50 - 152
Ⓖ Width of toe kick	23 ⅞"	606

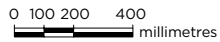
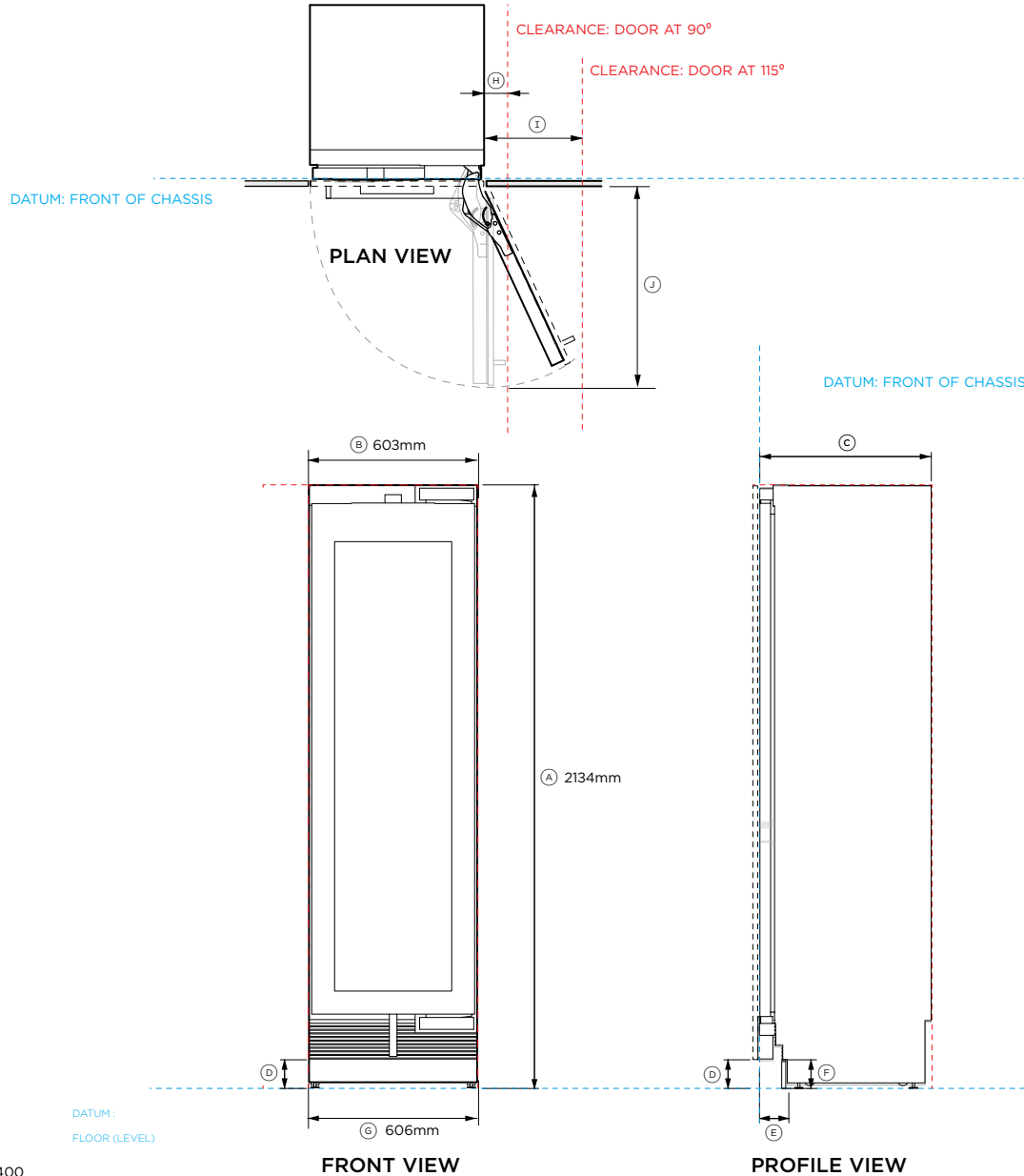
Door/Drawer Opening Dimensions*		
Ⓗ Minimum door clearance to adjacent wall (90° - reduced internal access)	4 ⅞"	110
Ⓘ Minimum door clearance to adjacent wall (115° - full internal access)	14"	356
Ⓛ Depth of door (90° open) measured from front of door	26"	660
Ⓚ Depth of drawer measured from front of door	15 ¾"	400

Clearance Dimensions*		
Minimum cabinetry gap clearance from edge of door panel	⅞"	3
Cavity overall height	84"	2134
Cavity overall width (single)	24"	610
Cavity overall width (dual)	48"	1219
Minimum overall depth (shallow) of cavity when services are located outside of cavity***	25"	635
Minimum overall depth (deep) of cavity when services are located at rear of cavity***	25 ⅞"	650

* Custom panels to be manufactured & fitted by cabinet maker.
 ** 100mm (3 ⅞") tall stainless steel toe kick panel available. Adjust the height of the door panel accordingly.
 ***Assumes a door panel depth of 19mm (¾").

INDICATES CABINETRY / PRODUCT DATUM -----
 INDICATES CABINETRY CLEARANCES - - - - -

IMPORTANT NOTE: Throughout this guide, dimensions may vary by ±2mm (1/16"). Please read the Installation Guide for detailed information on installing the product. For full installation instructions visit fisherpaykel.com



Model no:
RS6121VL2K1, RS6121VR2K1

Product Dimensions*	in	mm
Ⓐ Overall height	84"	2134
Ⓑ Overall width	23 ¾"	603
Ⓒ Overall depth (excluding door panels)	24"	610
Ⓓ Floor to bottom of door	4"	102
Ⓔ Depth of toe kick (excluding panels)	2 ⅞ - 4"	73 - 102
Ⓕ Height of toe kick**	2 ⅞ - 6"	50 - 152
Ⓖ Width of toe kick	23 ⅞"	606

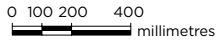
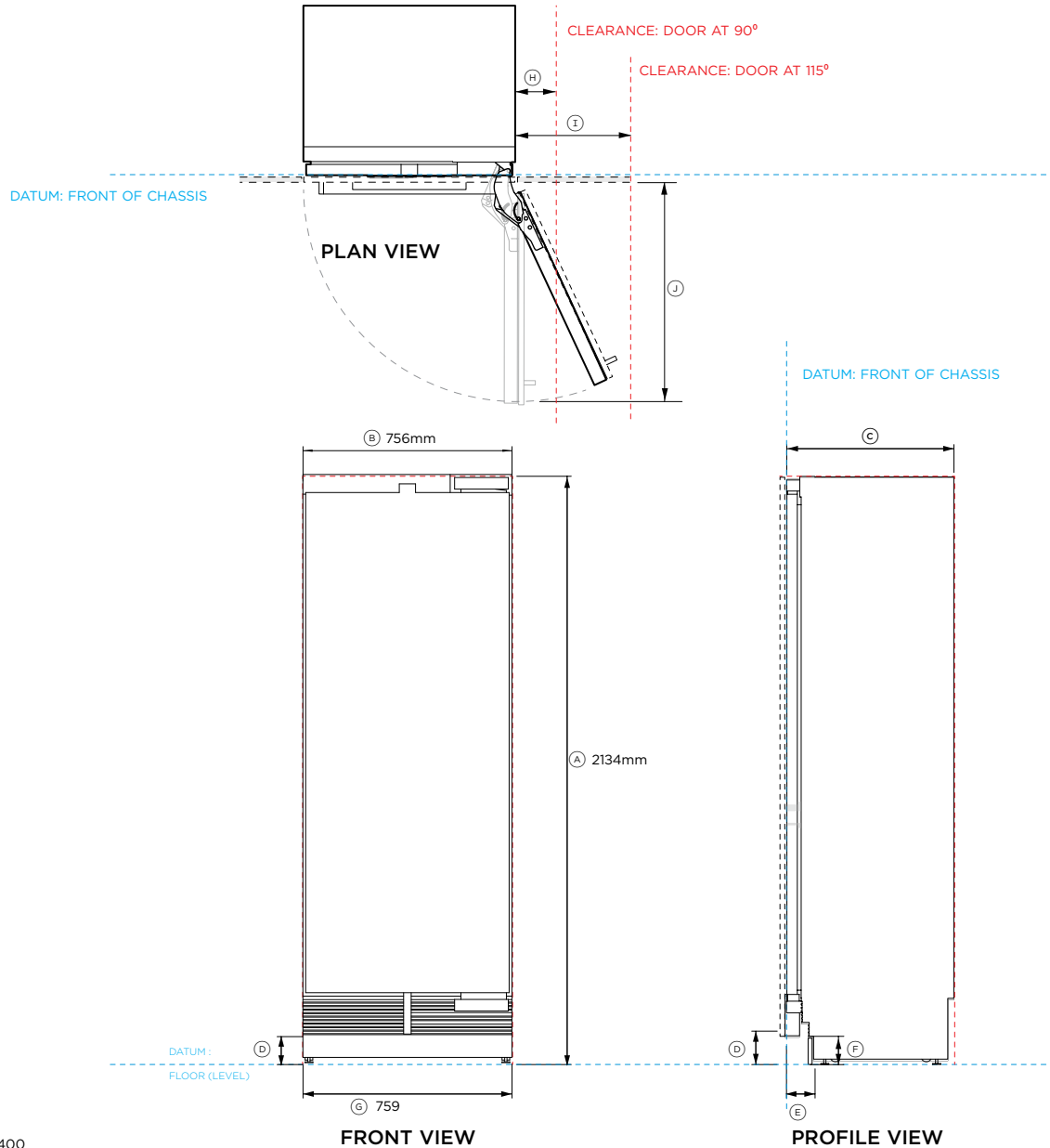
Door/Drawer Opening Dimensions*		
Ⓜ Minimum door clearance to adjacent wall* (90° - reduced internal access)	4 ⅞"	110
Ⓨ Minimum door clearance to adjacent wall* (115° - full internal access)	14"	356
Ⓣ Depth of door (90° open) measured from front of door	15 ¾"	660

Clearance Dimensions*		
Minimum cabinetry gap clearance from edge of door panel	⅛"	3
Cavity overall height	84"	2134
Cavity overall width (single)	24"	610
Cavity overall width (dual)	48"	1219
Minimum overall depth (shallow) of cavity when services are located outside of cavity***	25"	635
Minimum overall depth (deep) of cavity when services are located at rear of cavity***	25 ⅞"	650

* Custom panels to be manufactured & fitted by cabinet maker.
 ** 100mm (3 ⅞") tall stainless steel toe kick panel available. Adjust the height of the door panel accordingly.
 ***Assumes a door panel depth of 19mm (¾").

INDICATES CABINETRY / PRODUCT DATUM -----
 INDICATES CABINETRY CLEARANCES - - - - -

IMPORTANT NOTE: Throughout this guide, dimensions may vary by ±2mm (1/16"). Please read the Installation Guide for detailed information on installing the product. For full installation instructions visit fisherpaykel.com



Model no:

RS7621SRHE1, RS7621SLHE1, RS7621FRJE1, RS7621FLJE1, RS7621SRK1, RS7621SRHK1, RS7621FRJK1

Product Dimensions	in	mm
A Overall height	84"	2134
B Overall width	29 3/4"	756
C Overall depth (excluding door panels)	24"	610
D Floor to bottom of door	4"	102
E Depth of toe kick (excluding panels)	2 7/8 - 4"	73 - 102
F Height of toe kick**	2 1/16 - 6"	50 - 152
G Width of toe kick	29 7/8"	759

Door/Drawer Opening Dimensions*

H Minimum door clearance to adjacent wall (90° - reduced internal access)	4 5/16"	110
I Minimum door clearance to adjacent wall (115° - full internal access)	16 1/2"	419
J Depth of door (90° open) measured from front of door	32"	813

Clearance Dimensions*

Minimum cabinetry gap clearance from edge of door panel	1/8"	3
Cavity overall height	84"	2134
Cavity overall width (single)	24"	610
Cavity overall width (dual)	54"	1525
Minimum overall depth (shallow) of cavity when services are located outside of cavity***	25"	635
Minimum overall depth (deep) of cavity when services are located at rear of cavity***	25 19/32"	650

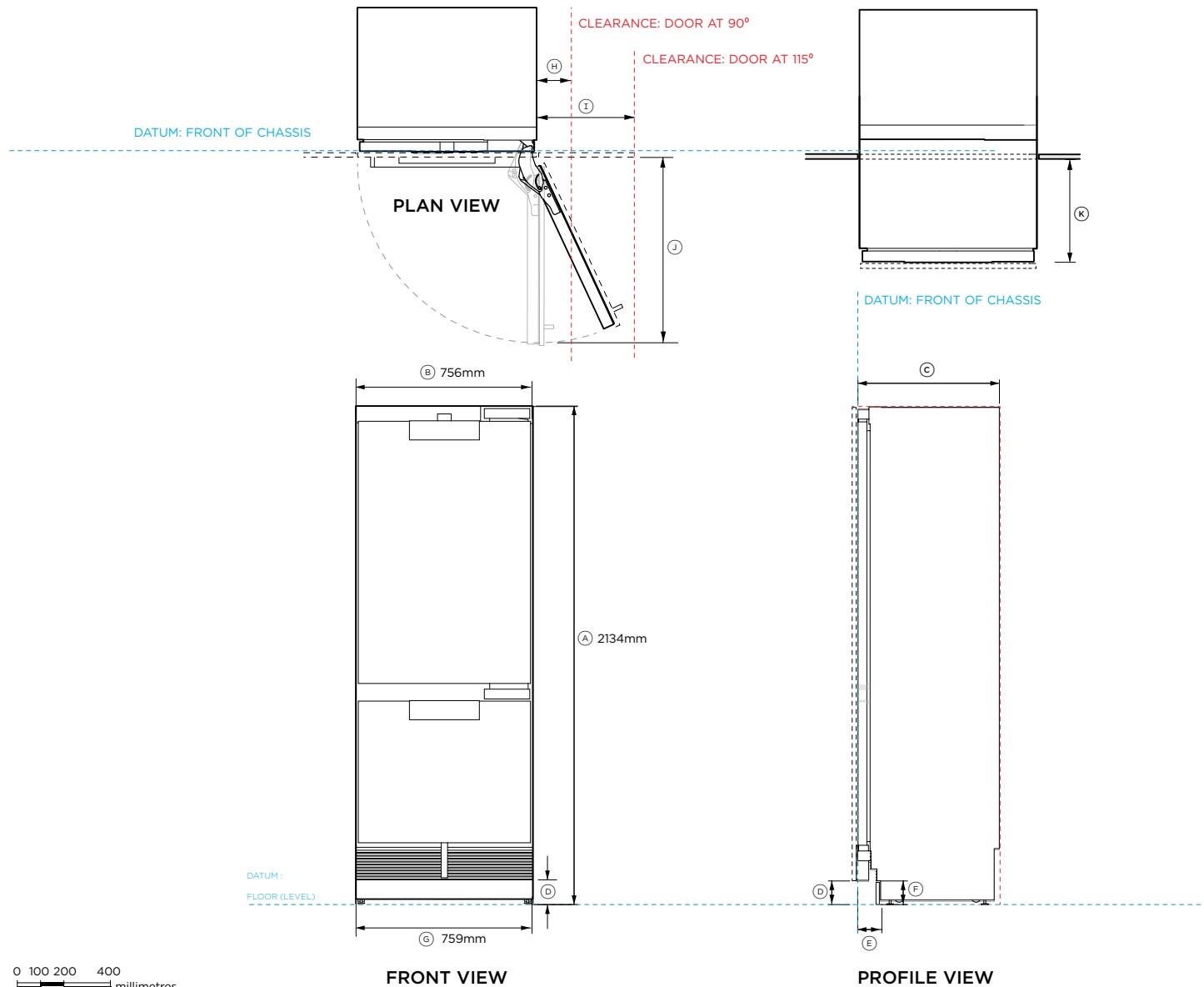
* Custom panels to be manufactured & fitted by cabinet maker.

** 100mm (3 15/16") tall stainless steel toe kick panel available. Adjust the height of the door panel accordingly.

***Assumes a door panel depth of 19mm (3/4").

INDICATES CABINETRY / PRODUCT DATUM -----
 INDICATES CABINETRY CLEARANCES - - - - -

IMPORTANT NOTE: Throughout this guide, dimensions may vary by ±2mm (1/16"). Please read the Installation Guide for detailed information on installing the product. For full installation instructions visit fisherpaykel.com



Model no:

RS7621WRUE1, RS7621WLUE1, RS7621WRUK1, RS7621WLUK1

Product Dimensions

	in	mm
Ⓐ Overall height	84"	2134
Ⓑ Overall width	29 3/4"	756
Ⓒ Overall depth (excluding door panels)	24"	610
Ⓓ Floor to bottom of door	4"	102
Ⓔ Depth of toe kick (excluding panels)	2 7/8 - 4"	73 - 102
Ⓕ Height of toe kick**	2 - 6"	50 - 152
Ⓖ Width of toe kick	29 7/8"	759

Door/Drawer Opening Dimensions*

Ⓜ Minimum door clearance to adjacent wall (90° - reduced internal access)	4 5/16"	110
Ⓨ Minimum door clearance to adjacent wall (115° - full internal access)	16 1/2"	419
Ⓣ Depth of door (90° open) measured from front of door	32"	813
Ⓚ Depth of drawer (open) measured from front of drawer *	15 3/4"	400

Clearance Dimensions*

Minimum cabinetry gap clearance from edge of door panel	1/8"	3
Cavity overall height	84"	2134
Cavity overall width (single)	30"	762
Cavity overall width (dual)	54"	1525
Minimum overall depth (shallow) of cavity when services are located outside of cavity***	25"	635
Minimum overall depth (deep) of cavity when services are located at rear of cavity***	25 5/8"	650

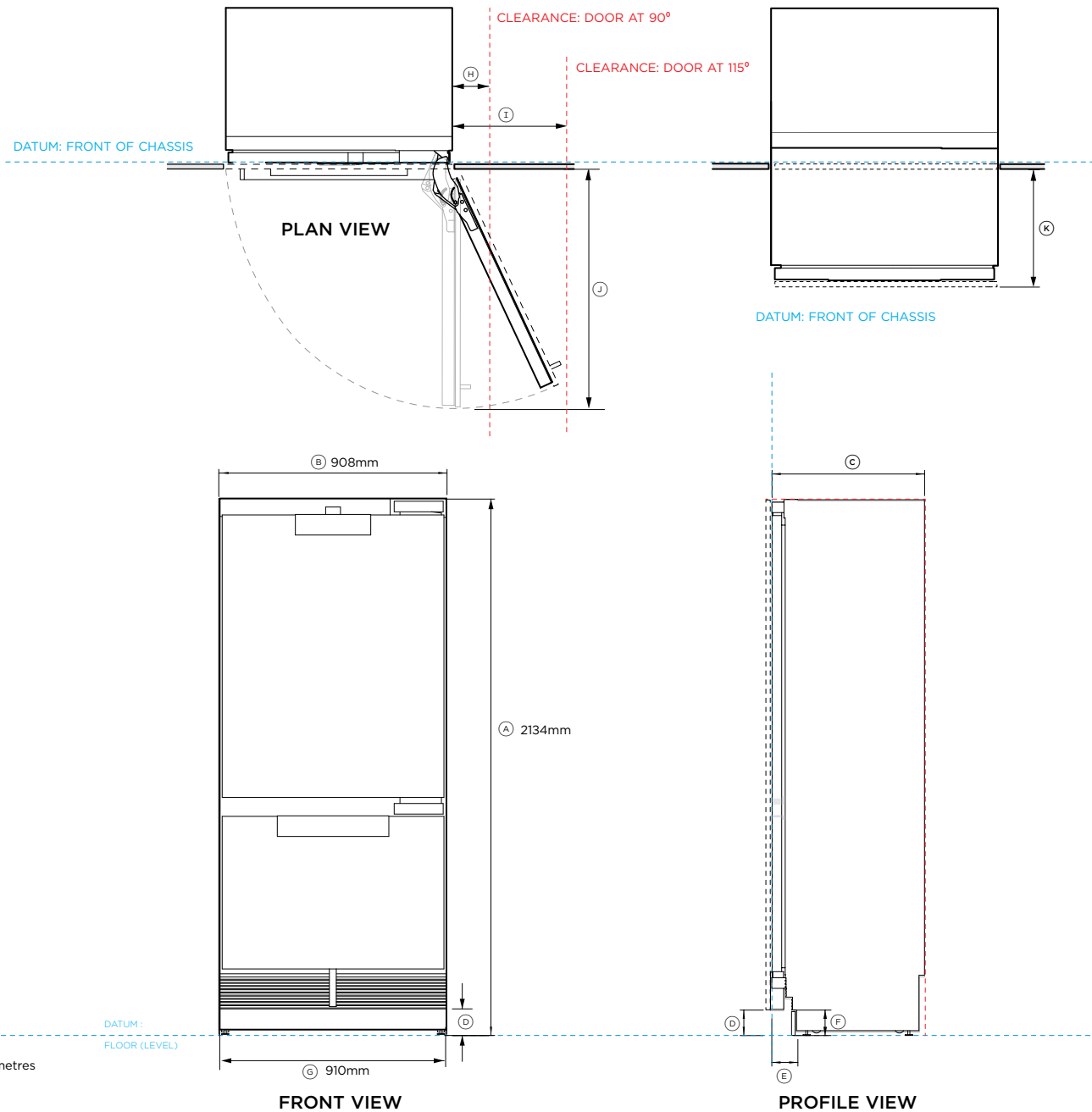
* Custom panels to be manufactured & fitted by cabinet maker.

** 100mm (3 15/16") tall stainless steel toe kick panel available. Adjust the height of the door panel accordingly.

***Assumes a door panel depth of 19mm (3/4").

INDICATES CABINETRY / PRODUCT DATUM -----
 INDICATES CABINETRY CLEARANCES - - - - -

IMPORTANT NOTE: Throughout this guide, dimensions may vary by ±2mm (1/16"). Please read the Installation Guide for detailed information on installing the product. For full installation instructions visit fisherpaykel.com



Model no:
RS9121WRUVE1, RS9121WLUVE1

Product Dimensions	in	mm
Ⓐ Overall height	84"	2134
Ⓑ Overall width	35 3/4"	908
Ⓒ Overall depth (excluding door panels)	24"	610
Ⓓ Floor to bottom of door	4"	102
Ⓔ Depth of toe kick (excluding panels)	2 7/8 - 4"	73 - 102
Ⓕ Height of toe kick**	2 - 6"	50 - 152
Ⓖ Width of toe kick	35 7/8"	910

Door/Drawer Opening Dimensions*

Ⓜ Minimum door clearance to adjacent wall (90° - reduced internal access)	4 5/16"	110
Ⓨ Minimum door clearance to adjacent wall (115° - full internal access)	17 1/8"	435
Ⓣ Depth of door (90° open) measured from front of door	38 1/16"	967
Ⓚ Depth of drawer (open) measured from front of drawer *	15 3/4"	400

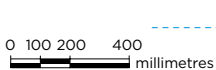
Clearance Dimensions*

Minimum cabinetry gap clearance from edge of door panel	1/8"	3
Cavity overall height	84"	2134
Cavity overall width (single)	36"	914
Cavity overall width (double)	72"	1829
Minimum overall depth (shallow) of cavity when services are located outside of cavity***	25"	635
Minimum overall depth (deep) of cavity when services are located at rear of cavity***	25 5/8"	650

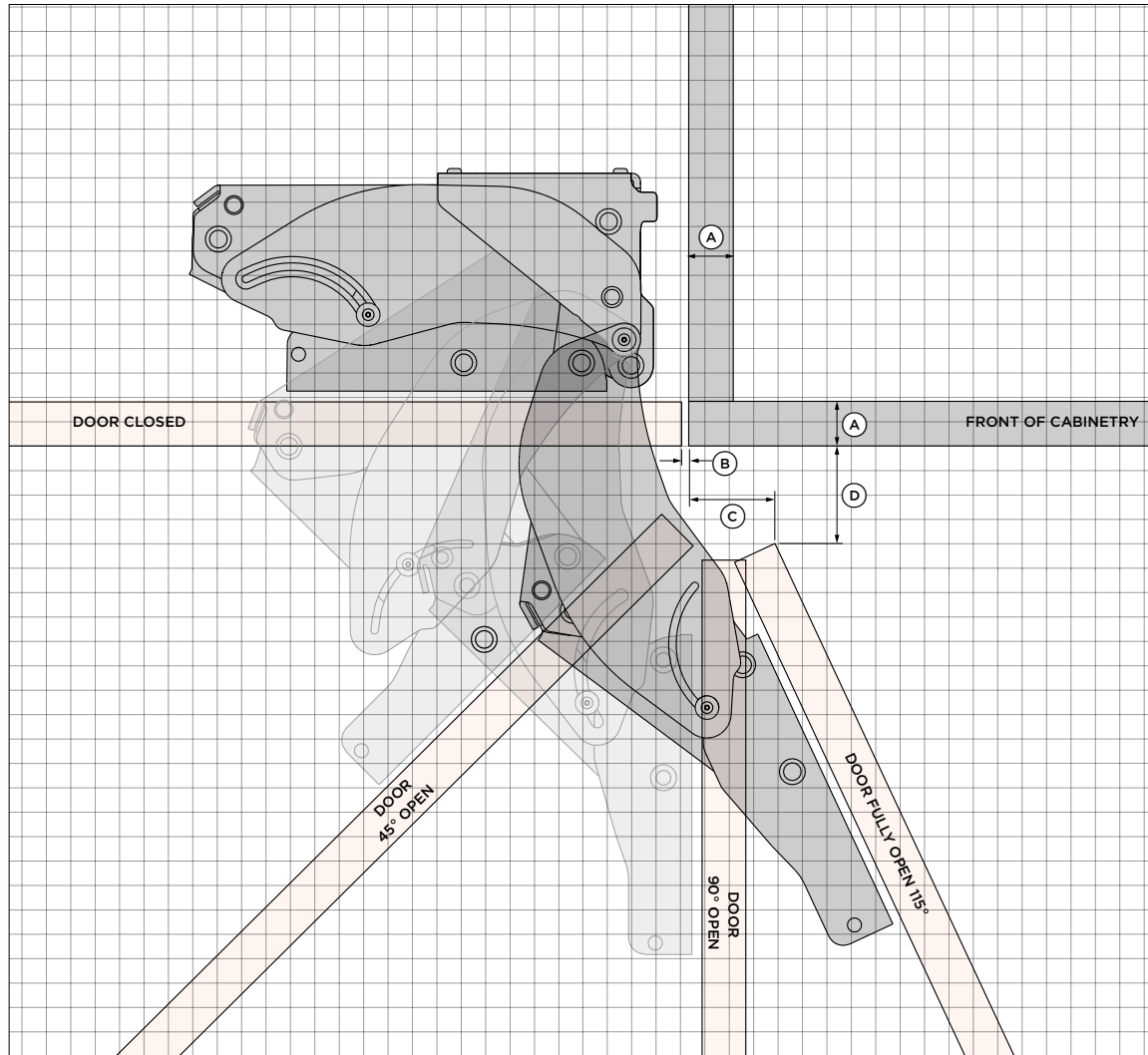
* Custom panels to be manufactured & fitted by cabinet maker.
 ** 100mm (3 15/16") tall stainless steel toe kick panel available. Adjust the height of the door panel accordingly.
 ***Assumes a door panel depth of 19mm (3/4").

INDICATES CABINETRY / PRODUCT DATUM -----
 INDICATES CABINETRY CLEARANCES - - - - -

IMPORTANT NOTE: Throughout this guide, dimensions may vary by ±2mm (1/16"). Please read the Installation Guide for detailed information on installing the product. For full installation instructions visit fisherpaykel.com



PLANNING CONSIDERATIONS



1 SQUARE = 10mm

TOP VIEW

DOOR HINGE - HETTICH K05

Left hand hinge models are a mirrored version of shown.

CUSTOM FRONT PANEL

- (A) Panel thickness: 19mm (3/4").
- (B) Gap between door and adjacent cabinetry: Min 3mm (1/8")
- (C) Gap between cabinet side and door at 115° open: 36mm (1 13/32")
- (D) Gap between adjacent cabinet and door at 115°: 42mm (1 21/32")

WEIGHT LIMITS

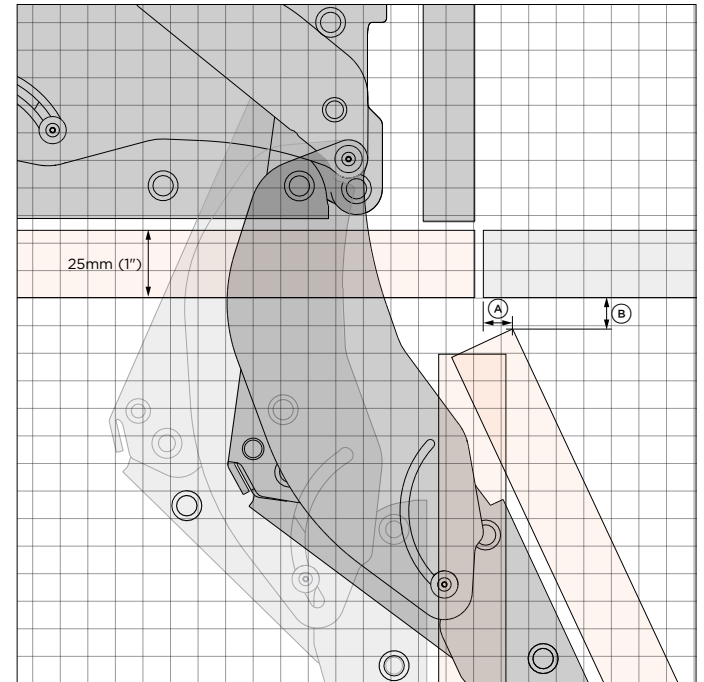
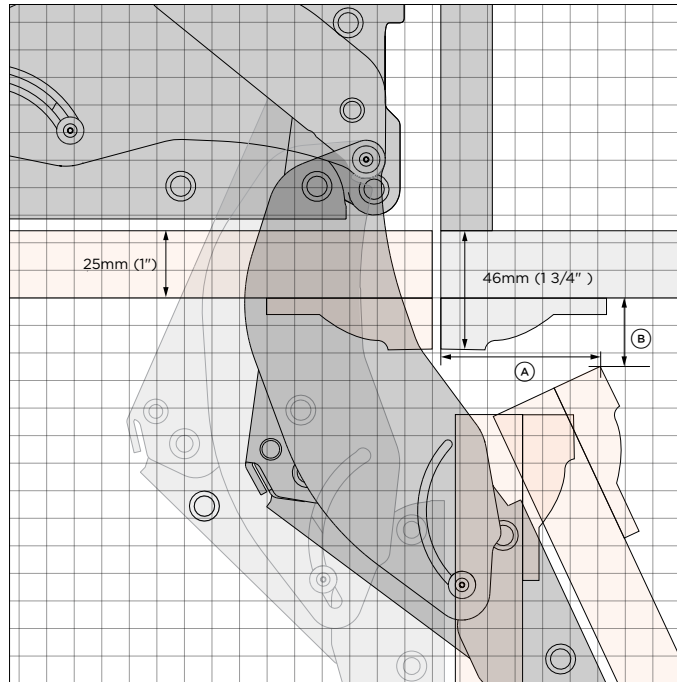
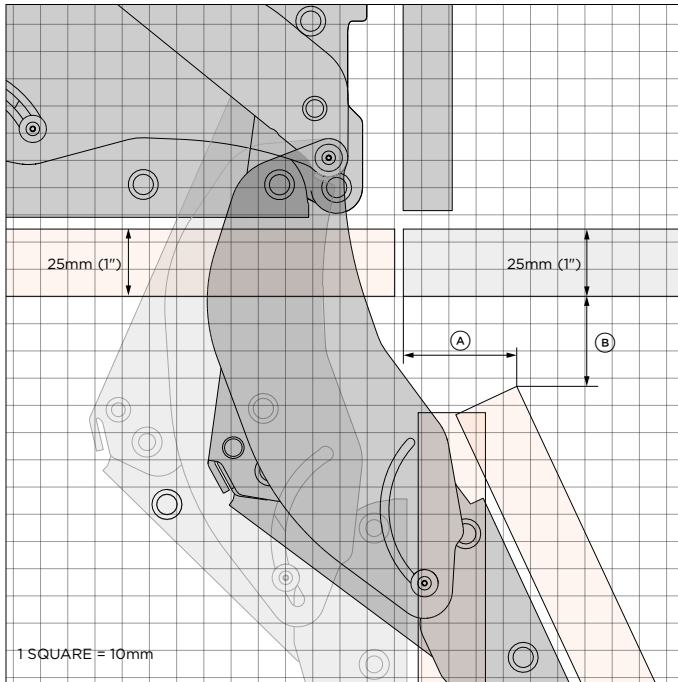
SINGLE PANEL MODELS	MAXIMUM WEIGHT
RS1884	Max 20kg (44lbs)
RS2484	Max 25kg (55lbs)
RS2484V Wine cabinet	Max 8kg (17.6lbs)
RS3084	Max 30kg (66lbs)
DOUBLE PANEL MODELS	MAXIMUM WEIGHT
RS2484W Top panel	Max 15kg (33lbs)
RS2484W Bottom panel	Max 9kg (20lbs)
RS3084W Top panel	Max 18kg 40lbs
RS3084W Bottom panel	Max 11kg 24lbs
RS3684W Top panel	Max 21kg 46lbs
RS3684W Bottom panel	Max 13.5kg 30lbs

Note: Door weight's includes weight of handle.

The models shown in this Planning Guide may not be available in all markets and are subject to change at any time. Product specifications may vary from those shown. This Planning Guide should not be used as installation guidance for any product. Further information is required to safely and correctly install the products featured here. Specific installation guidance will be available on our website fisherpaykel.com

SUPPORT

For additional design planning and installation support please contact the Fisher & Paykel design support team.
designsupport@fisherpaykel.com



1 SQUARE = 10mm

1" DOOR PANEL

- (A) Door edge distance to cabinet side : 42mm (1 21/32")
- (B) Gap between door corner and adjacent cabinetry: 34mm (1 11/32")

1" DOOR PANEL WITH 3/4" FRAMING

- (A) Door edge distance to cabinet side : 60mm (1 3/38")
- (B) Gap between door corner and adjacent cabinetry: 26mm (1 1/32")

1" OVERLAY DOOR PANEL

- (A) Door edge distance to cabinet side : 14mm (9/16")
- (B) Gap between door corner and adjacent cabinetry: 12mm (15/32")

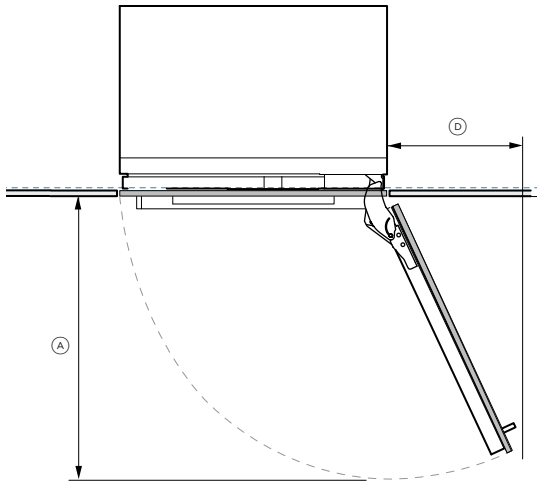
NOTE: Panel widths must be adjusted.

The models shown in this Planning Guide may not be available in all markets and are subject to change at any time. Product specifications may vary from those shown. This Planning Guide should not be used as installation guidance for any product. Further information is required to safely and correctly install the products featured here. Specific installation guidance will be available on our website fisherpaykel.com

115° INTERNAL ACCESS

115° door opening - full internal access

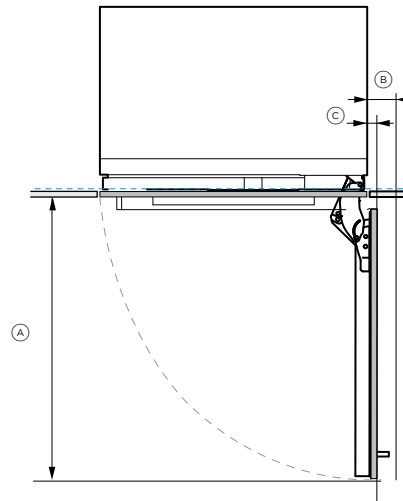
Minimum dimensions shown are for a 41mm (1 5/8") handle depth. Custom door panel and handle details need to be taken into account



90° INTERNAL ACCESS

Use hinge limiting pin to restrict door opening to 90° where necessary

Minimum dimensions shown are for a 41mm (1 5/8") handle depth. Custom door panel and handle details need to be taken into account



ADDITIONAL NOTES

Dimensions assume a panel depth of 19mm (3/4").

MINIMUM DOOR CLEARANCES

	18" Models		24" Models		30" Models		36" Models	
	in	mm	in	mm	in	mm	in	mm
Ⓐ Door swing depth	min 20	min 508	min 26	min 660	min 32	min 813	min 38 1/16	min 967
Ⓑ Clearance for handle (at 90°)*	5 5/16	min 110	5 5/16	min 110	5 5/16	min 110	5 5/16	min 110
Ⓒ Clearance for handleless (at 90°)*	3/4	19mm**	3/4	19mm**	3/4	19mm**	3/4"	19mm**
Ⓓ Clearance for handle (at 115°)	min 11 1/2	min 292	min 14	min 356	min 17 1/8	min 435	min 14	min 356

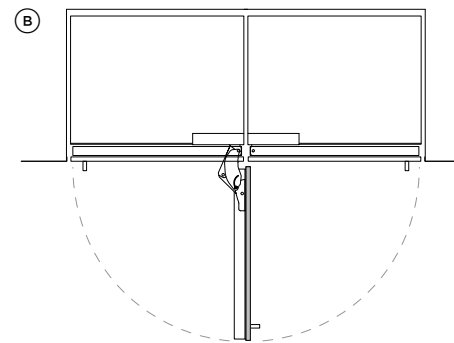
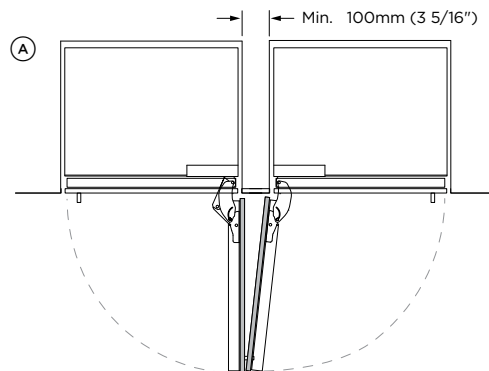
* Limiting pins are required for a 90° door swing.

NOTE: Dimensions assume a panel depth of 19mm (3/4"). Thicker panels will require a wider gap between panels.

The models shown in this Planning Guide may not be available in all markets and are subject to change at any time. Product specifications may vary from those shown. This Planning Guide should not be used as installation guidance for any product. Further information is required to safely and correctly install the products featured here. Specific installation guidance will be available on our website fisherpaykel.com

HINGE TO HINGE

- Ⓐ Both doors open at the same time - requires space between models
- Ⓑ Only allows a single door open at a time when there is a 3mm (1/8") gap between products

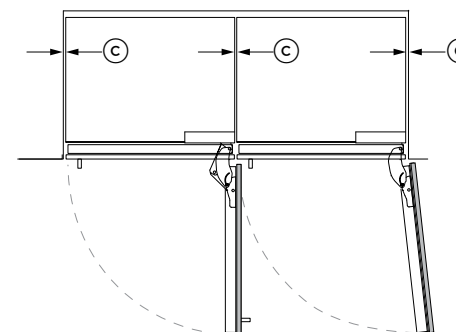
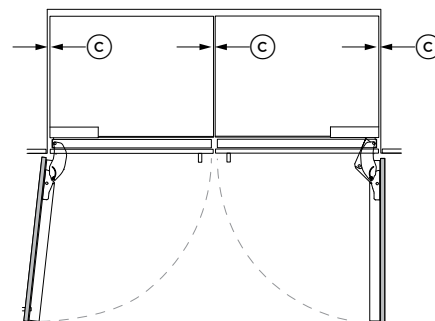


ADDITIONAL NOTES

Use hinge limiting pin to restrict door opening to 90° where necessary.
Dimensions assume a panel depth of 19mm (3/4").

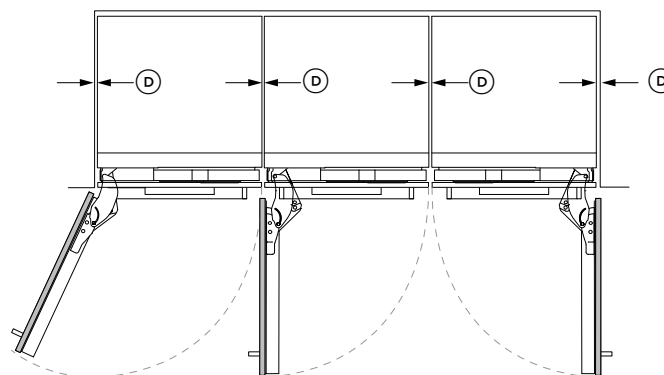
DUAL INSTALLATION

- Ⓒ Stainless steel door panels (gaps equalized during installation).
- Ⓓ Custom door panels - width of custom door panel increases to maintain 3mm (1/8") gap across multiple products



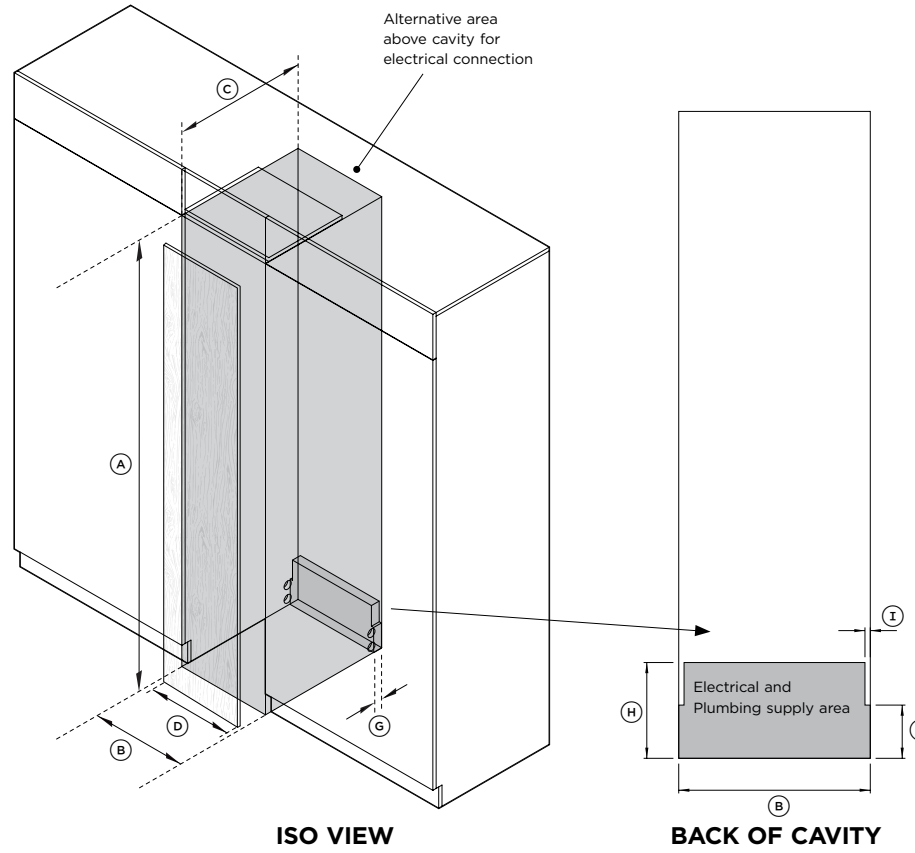
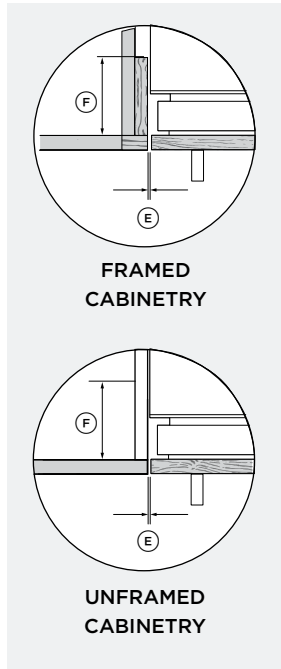
MULTIPLE INSTALLATION

- Ⓒ Stainless steel door panels (gaps equalized during installation).
- Ⓓ Custom door panels - width of custom door panel increases to maintain 3mm (1/8") gap across multiple products



The models shown in this Planning Guide may not be available in all markets and are subject to change at any time. Product specifications may vary from those shown. This Planning Guide should not be used as installation guidance for any product. Further information is required to safely and correctly install the products featured here. Specific installation guidance will be available on our website fisherpaykel.com

CAVITY PREPARATION

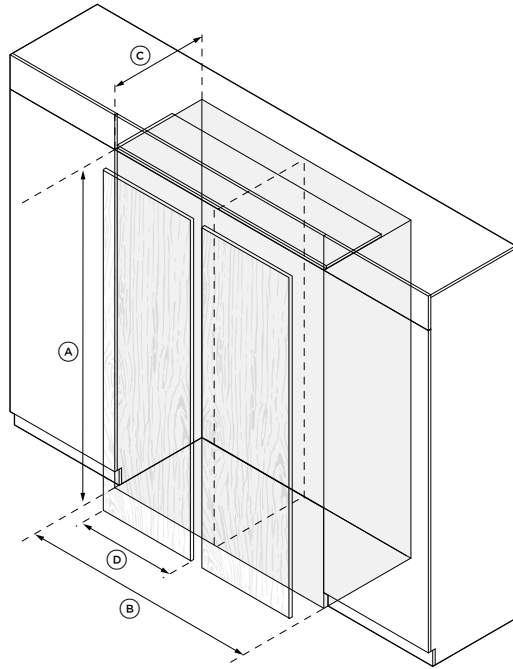


ADDITIONAL NOTES

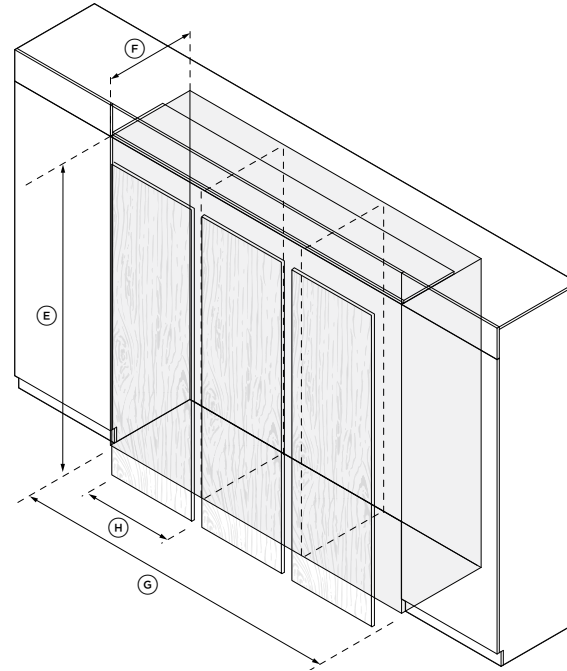
Dimensions assume a panel depth of 19mm (3/4"). Adjust dimension C for thicker panels.

CAVITY DIMENSIONS	18" Model		24" Models		30" Models		36" Models		SUPPLY AREA		
	in	mm	in	mm	in	mm	in	mm		in	mm
Ⓐ Overall height of cavity	84	2134	84	2134	84	2134	84	2134	Ⓒ Overall depth of supply area	9	229
Ⓑ Overall width of cavity	18	457	24	610	30	762	36	914	Ⓓ Overall height of supply area	1	25
Ⓒ Minimum overall depth of cavity (services located at rear of cavity)	25 5/8	650	25 5/8	650	25 5/8	650	25	650	Ⓔ Width of notch in supply area (both sides)	1/2	13
Minimum overall depth of cavity (services located at outside of cavity)	25	635	25	635	25	635	25	635	Ⓕ Height of sides of supply area (both sides)	5	127
Ⓓ Custom door panel widths	17 3/4	451	23 3/4	603	29 3/4	756	35 3/4	908			
Ⓔ Minimum gap from edge of door panel to cabinetry	1/8	3	1/8	3	1/8	3	1/8	3			
Ⓕ Minimum required finished return	4	102	4	102	4	102	4	102			

*Assumes a door panel thickness of 3/4" (19mm).



DUAL INSTALL



TRIPLE INSTALL

ADDITIONAL NOTES

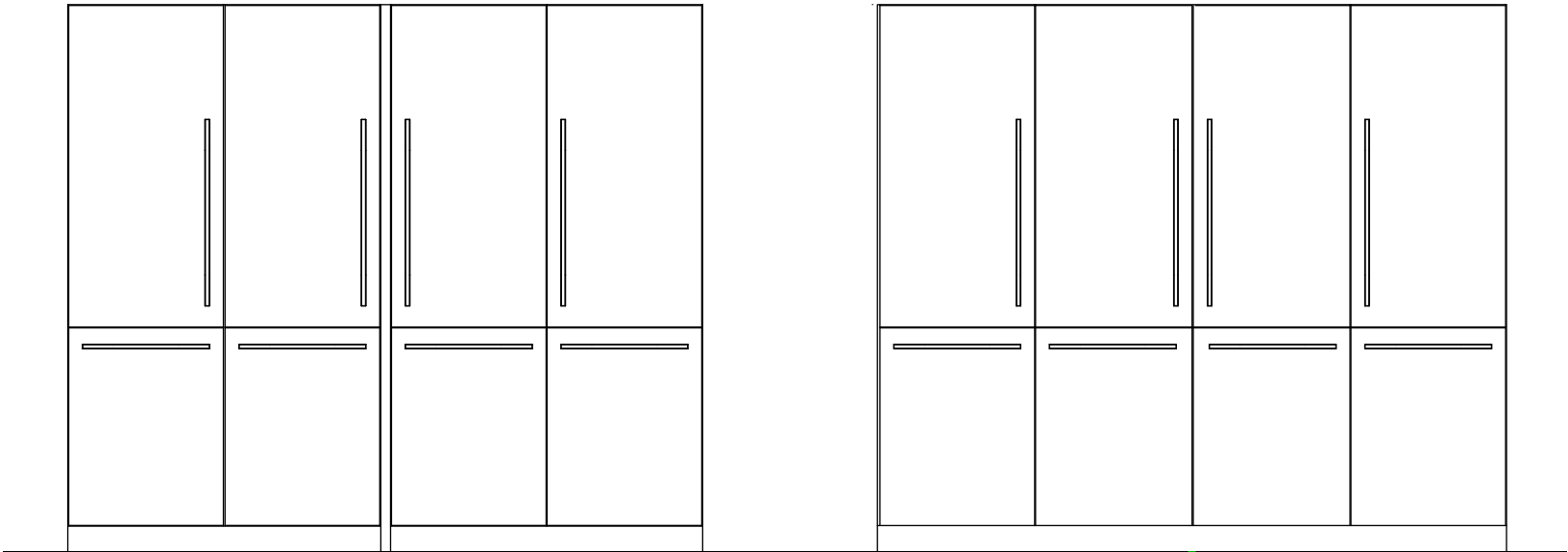
Dimensions assume a panel depth of 19mm (3/4"). Adjust dimensions C or F for thicker panels.
A maximum of three products per cavity.

CAVITY DIMENSIONS DUAL INSTALL	46cm Model		61cm Models		76cm Models		91cm Models	
	in	mm	in	mm	in	mm	in	mm
Ⓐ Overall height of cavity	84	2134	84	2134	84	2134	84	2134
Ⓑ Overall width of cavity	42	915	48	1219	54	1525	60	1829
Ⓒ Minimum overall depth of cavity*	25	635	25	635	25	635	25	635
Ⓓ Custom door panel widths	17 27/32	453	23 13/16	605	29 27/32"	758	35 13/16"	910
CAVITY DIMENSIONS TRIPLE INSTALL	46cm Model		61cm Models		76cm Models		91cm Models	
Ⓔ Overall height of cavity	84	2134	84	2134	84	2134	84	2134
Ⓕ Overall width of cavity	66	1371	72	1827	78	2286	84	2742
Ⓖ Minimum overall depth of cavity*	25	635	25	635	25	635	25	635
Ⓗ Custom door panel widths	17 27/32	453	23 13/16	605	29 27/32"	758	35 13/16"	910

*Assumes a door panel thickness of 19mm (3/4").

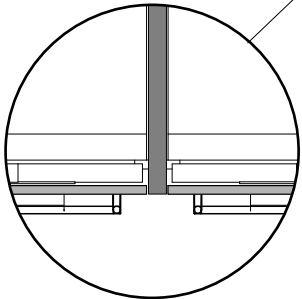
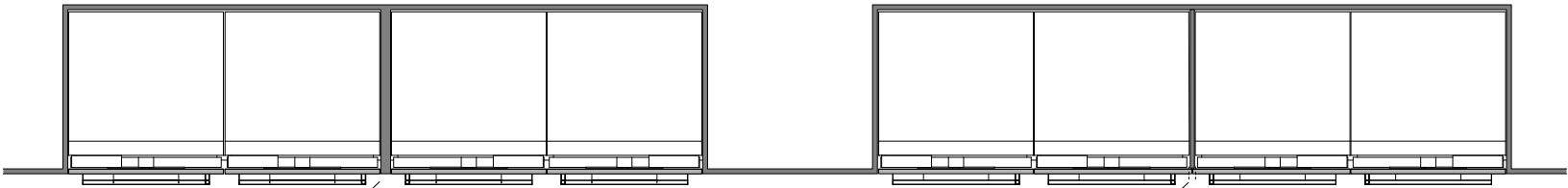
The maximum amount of appliances per cavity is three.
For more than three models a visual or hidden spacer can be used.

SUPPORT
For additional design planning and installation support please contact the Fisher & Paykel design support team
designsupport@fisherpaykel.com

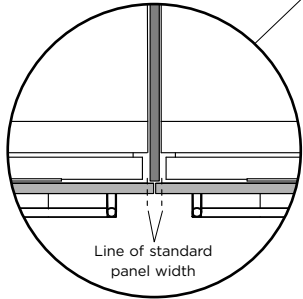


DOUBLE CAVITY WITH VISUAL SPACER

DOUBLE CAVITY WITH HIDDEN SPACER



VISUAL SPACER
Standard panel widths can be used with a visual cavity spacer.



HIDDEN SPACER
If overlaying panels to hide the cavity spacer, allow for extra panel width.

To calculate the total cavity width for installing different models:

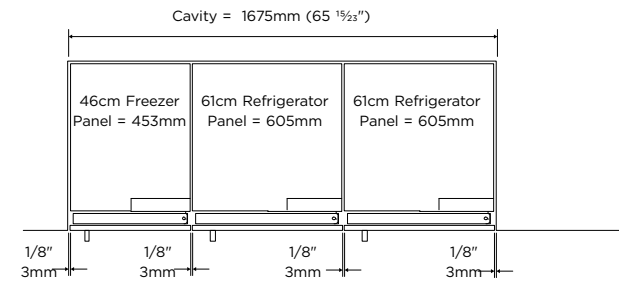
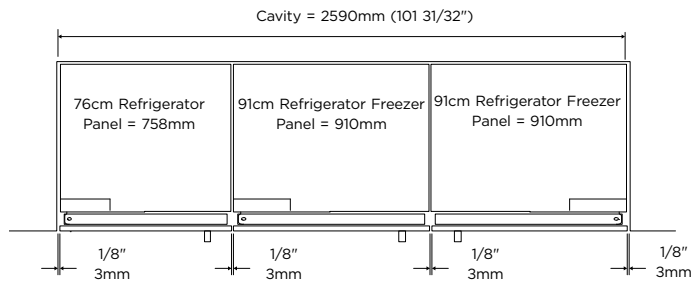
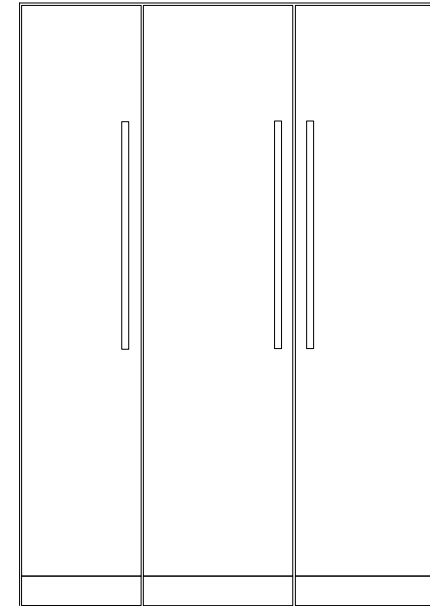
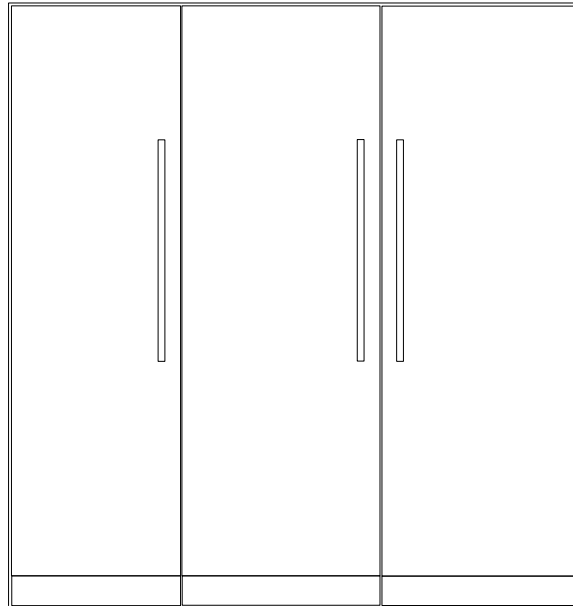
Add the widths of each panel for dual or triple installations.

Add 3mm (1/8 inch) for every gap between the appliances and the gaps between the appliances and the cabinet walls.

SUPPORT

For additional design planning and installation support please contact the Fisher & Paykel design support team

designsupport@fisherpaykel.com



PANEL WIDTHS

Ⓢ Overall width of panel for dual or multiple install

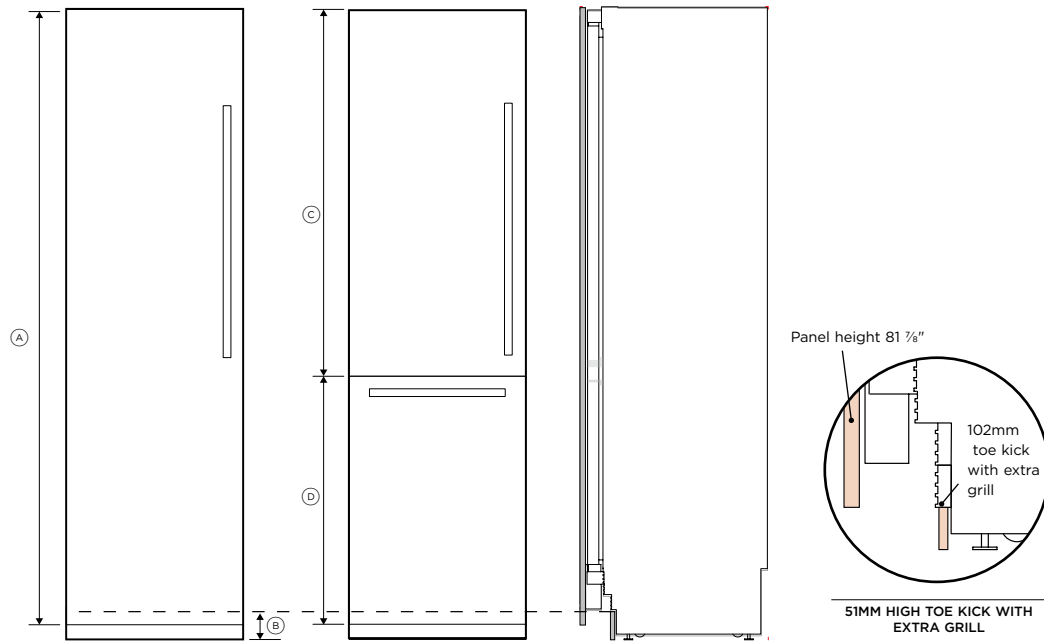
18" Model		24" Models		30" Models		36" Models	
in	mm	in	mm	in	mm	in	mm
17 27/32	453	23 15/16	605	29 27/32	758	35 13/16	910

*Assumes a door panel thickness of 3/4" (19mm).

CUSTOM DOOR PANEL PREPARATION

51MM TOE KICK WITH EXTENDED PANEL OPTIONS

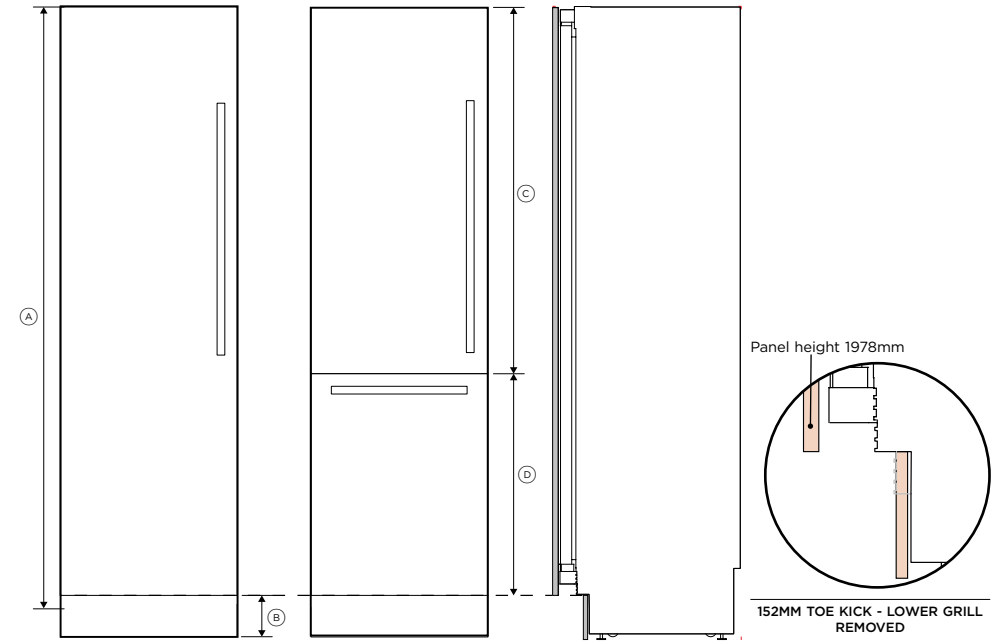
The standard toe kick height is 102mm and the standard panel height is 2029mm. For refrigerator freezers the standard toe kick height is 102mm and the drawer panel height is 771mm. For single doors, A 51mm high toe kick can be achieved by installing a 2080mm panel with an extra grill installed.



LOW TO FLOOR - PANEL & LOW Toe kick	in	mm
Ⓐ Panel height - single door	81 7/8	2080
Ⓑ Toe kick height	2	50
Ⓒ Door height	49 3/8	1254
Ⓓ Drawer height	32 3/8	822

152MM TOE KICK WITH SHORTENED PANEL OPTIONS

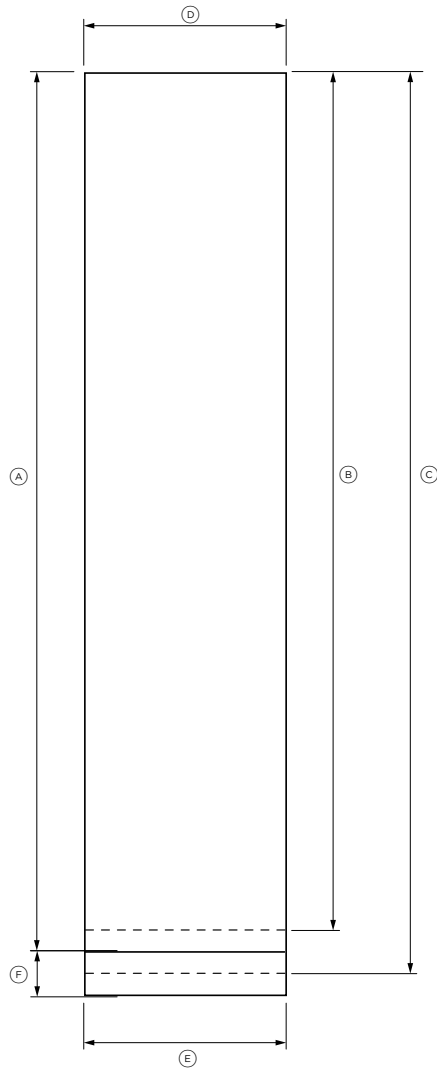
The standard toe kick height is 102mm and the standard panel height is 2029mm. For refrigerator freezers the standard toe kick height is 102mm and the drawer panel height is 771mm. For single doors, a 152mm toe kick with a 1978mm high panel can be achieved by removing the lower grill and the airflow divider.



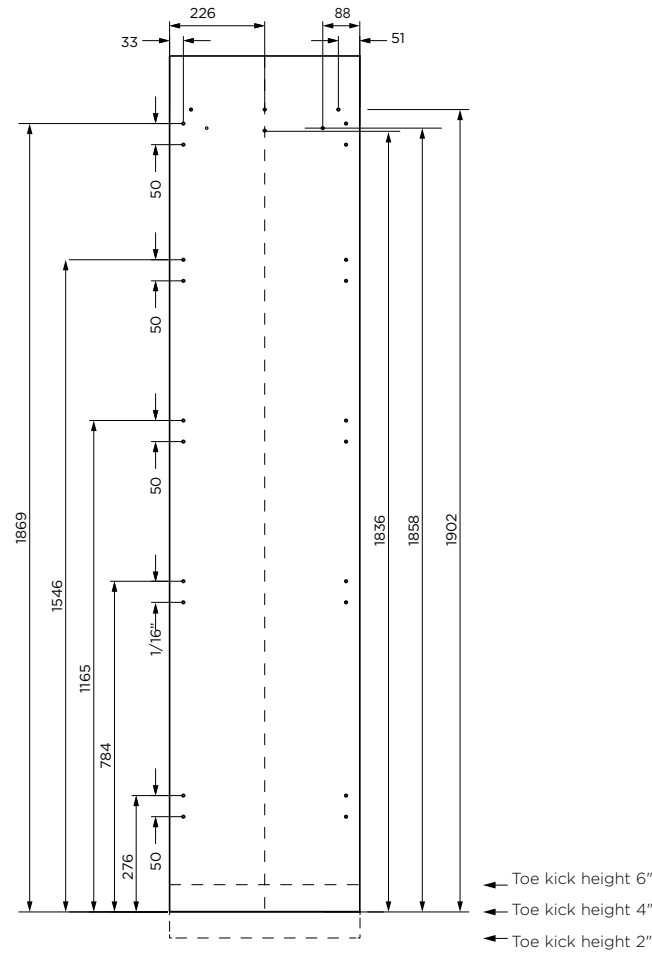
HIGH ABOVE FLOOR - PANEL & HIGH Toe kick	in	mm
Ⓐ Panel height - single door	77 7/8	1978
Ⓑ Toe kick height	6	152
Ⓒ Door height	49 3/8	1254
Ⓓ Drawer height	28 3/8	721

The models shown in this Planning Guide may not be available in all markets and are subject to change at any time. Product specifications may vary from those shown. This Planning Guide should not be used as installation guidance for any product. Further information is required to safely and correctly install the products featured here. Specific installation guidance will be available on our website fisherpaykel.com

PANEL DIMENSIONS



MOUNTING HOLES



Model no: RS4621FLJE1, RS4621FLJK1

Custom Panel Dimensions		in	mm
A	Height of door panel (standard 4" from floor)	79 7/8	2029
B	Height of door panel (6" from floor)*	77 7/8	1978
C	Height of door panel (2" from floor)*	81 7/8	2080
D	Width of single panel	17 3/4	451
	Width of dual/multiple panels	17 27/32	453
E	Width of toe kick	17 7/8	454
F	Toe kick height**	2 - 6	50 - 152
	Panel thickness	min 3/4	min 19

Clearance Dimensions*

Minimum cabinetry gap clearance from edge of door panel	1/8	3
---	-----	---

*Custom door panels, toe kick and handles to be manufactured / fitted by a cabinet maker.

**Toe kick height can vary depending on panel height and ventilation.

Dimensions apply for the preparation and installation of Custom door panels.

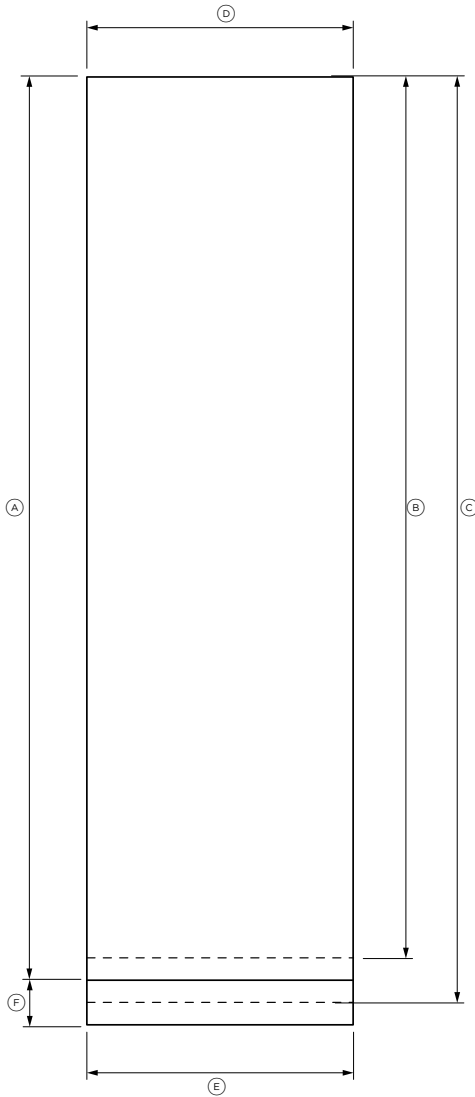
Dwg and Dxf files of the panel preparation can be downloaded from www.fisherpaykel.com

The thickness of the custom door panel can vary provided that the screws do not penetrate beyond the full depth of the door panel.

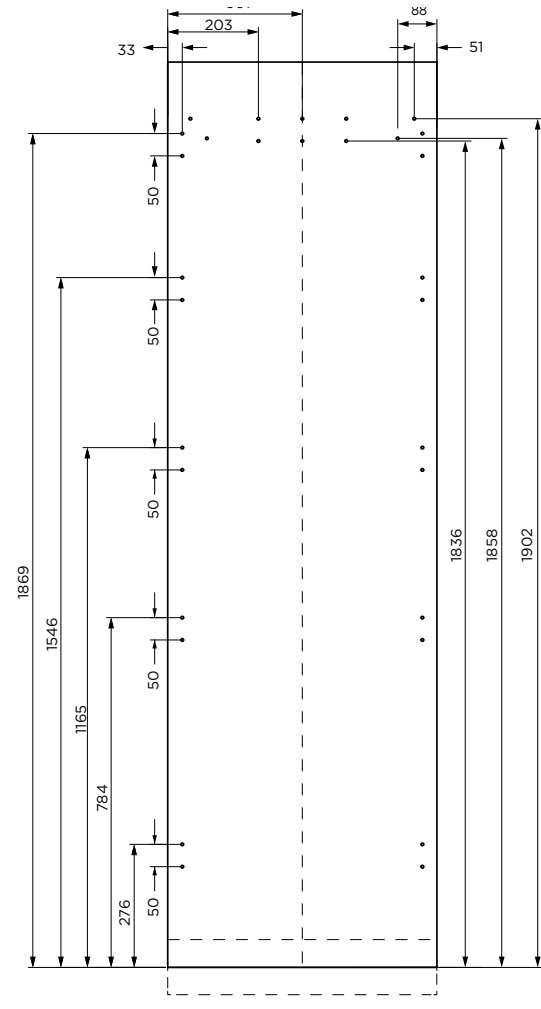
18x Pilot holes recommended for bracket attachment. (Do not penetrate front surface).

Do not place pilot holes for handle attachment in marked areas to avoid clashing with panel attachment brackets

PANEL DIMENSIONS



MOUNTING HOLES



← Toe kick height 152mm
 ← Toe kick height 102mm
 ← Toe kick height 51mm

Model no: RS6121SRHE1, RS6121SLHE1, RS6121FRJE1, RS6121FLJE1, RS6121SRK1, RS6121SLK1, RS6121SRHK1, RS6121SLHK1, RS6121FRJK1, RS6121FLJK1

Custom Panel Dimensions	in	mm
Ⓐ Height of door panel (standard 4" from floor)*	79 7/8	2029
Ⓑ Height of door panel (6" from floor)*	77 7/8	1978
Ⓒ Height of door panel (2" from floor)*	81 7/8	2080
Ⓓ Width of single panel	23 3/4	603
Width of dual/multiple panels	23 13/16	605
Ⓔ Width of toe kick	23 7/8	606
Ⓕ Toe kick height**	2 - 6	50 - 152
Panel thickness	min 3/4	min 19mm

Clearance Dimensions*

Minimum cabinetry gap clearance from edge of door panel	1/8	3
---	-----	---

*Custom door panels, toe kick and handles to be manufactured / fitted by a cabinet maker.

**Toe kick can height can vary depending on panel height and ventilation.

Dimensions apply for the preparation and installation of Custom door panels.

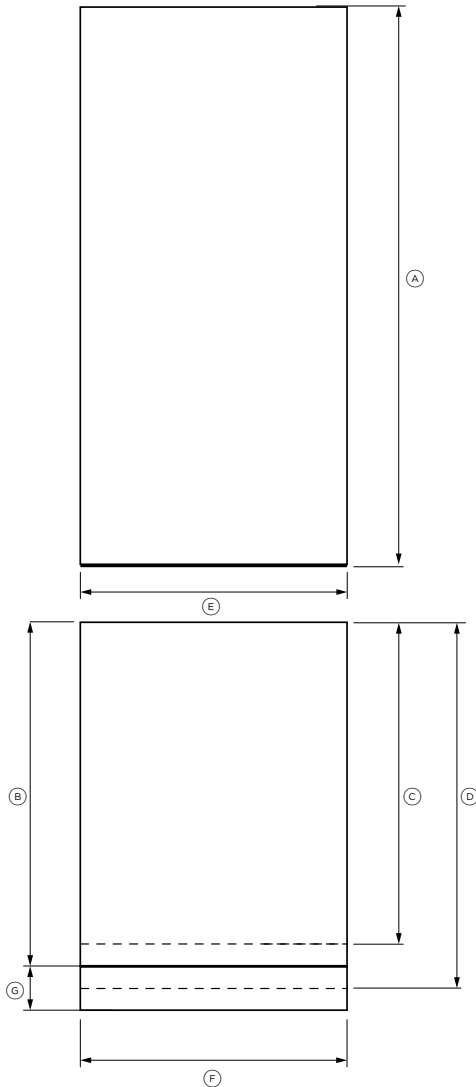
Dwg and Dxf files of the panel preparation can be downloaded from www.fisherpaykel.com

The thickness of the custom door panel can vary provided that the screws do not penetrate beyond the full depth of the door panel.

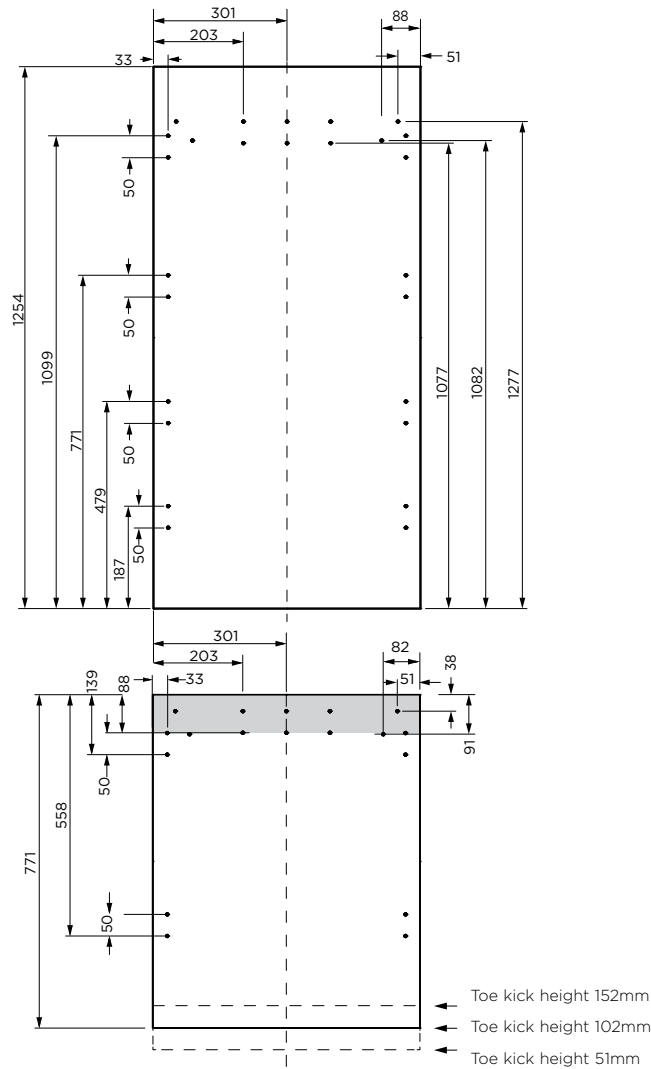
22x Pilot holes recommended for bracket attachment. (Do not penetrate front surface).

Do not place pilot holes for handle attachment in marked areas to avoid clashing with panel attachment brackets.

PANEL DIMENSIONS



MOUNTING HOLES



Model no: RS6121WRUE1, RS6121WRUK1, RS6121WLUE1, RS6121WLUK1

Custom Panel Dimensions	in	mm
Ⓐ Height of door panel refrigerator*	49 3/8	1254
Ⓑ Height of drawer panel (standard)	30 3/8	771
Ⓒ Height of drawer panel (6" from floor)	28 3/8	721
Ⓓ Height of drawer panel (2" from floor)	32 3/8	822
Ⓔ Width of single panel	23 3/4	603
Width of dual/multiple panels	23 13/16	605
Ⓕ Width of toe kick	23 7/8	606
Ⓖ Toe kick height**	2 - 6	50 - 152
Panel thickness	min 3/4	min 19mm

Clearance Dimensions*

Minimum cabinetry gap clearance from edge of door panel	1/8	3
---	-----	---

*Custom door panels, toe kick and handles to be manufactured / fitted by a cabinet maker.

**Toe kick can height can vary depending on panel height and ventilation.

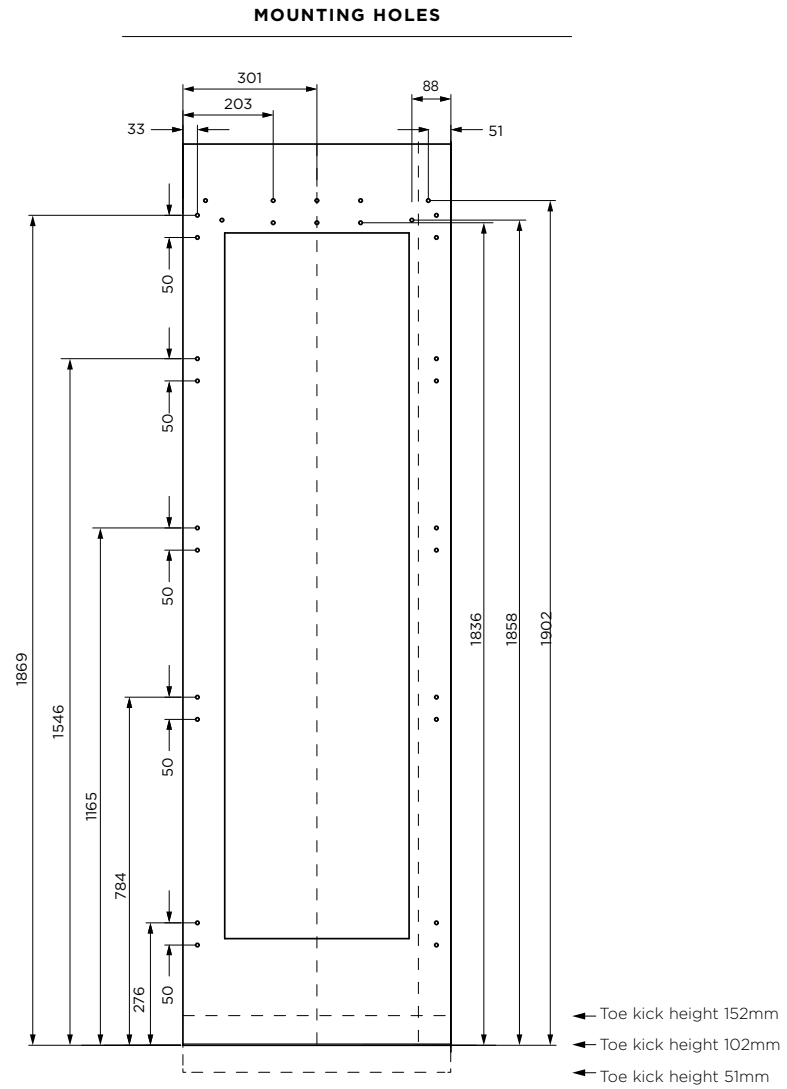
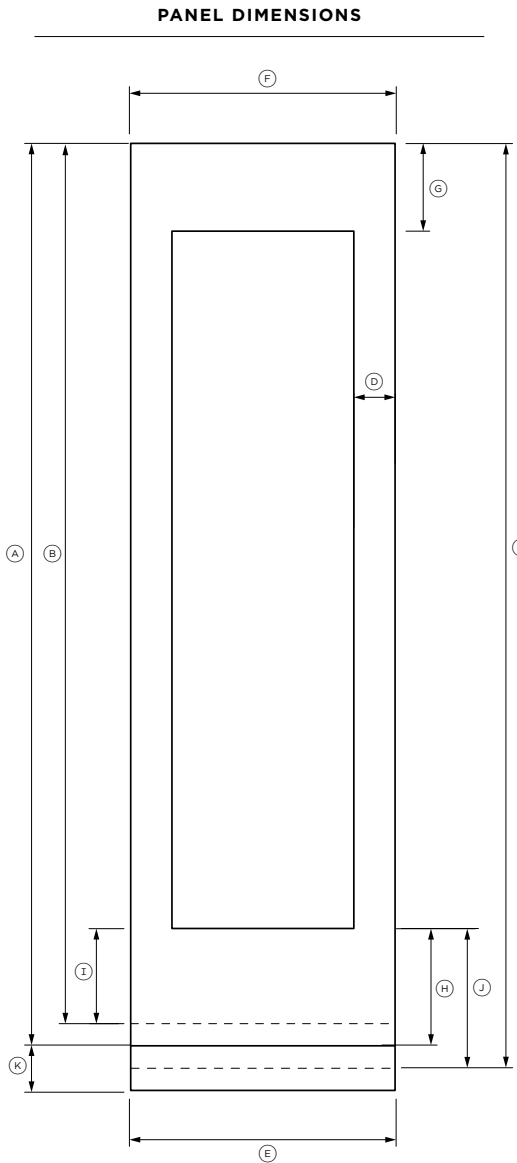
Dimensions apply for the preparation and installation of Custom door panels.

Dwg and Dxf files of the panel preparation can be downloaded from www.fisherpaykel.com

The thickness of the custom door panel can vary provided that the screws do not penetrate beyond the full depth of the door panel.

22x Pilot holes recommended for bracket attachment. (Do not penetrate front surface).

Do not place pilot holes for handle attachment in marked areas to avoid clashing with panel attachment brackets.



Model no: RS6121VL2K1, RS6121VR2K1

Custom Panel Dimensions all models*		in	mm
Ⓐ	Height of door panel (standard 4" from floor)	79 7/8	2029
Ⓑ	Height of door panel (6" from floor)	77 7/8	1978
Ⓒ	Height of door panel (2" from floor)	81 7/8	2080
Ⓓ	Width of single panel	23 3/4	603
	Width of dual/multiple panels	23 13/16	605
Ⓔ	Width of toe kick	23 7/8	606
Ⓕ	Width of side frames single install	3 11/16	94
	Width of side frames dual install	3 3/4	95
Ⓖ	Height of top frame	7 7/8" - 11 7/8"	200 - 302
Ⓗ	Height of lower frame	9 7/16	240
Ⓘ	Height of lower panel (6" from floor)	7 7/16	189
Ⓝ	Height of lower panel (2" from floor)	11 7/16	291
Ⓚ	Toe kick height**	1 7/16	50 - 152
	Panel thickness	min 3/4	min 19mm

Clearance Dimensions*

Minimum cabinetry gap clearance from edge of door panel	1/8	3
---	-----	---

*Custom door panels, toe kick and handles to be manufactured / fitted by a cabinet maker.
 **Toe kick can height can vary depending on panel height and ventilation.

Dwg and Dxf files of the panel preparation can be downloaded from www.fisherpaykel.com

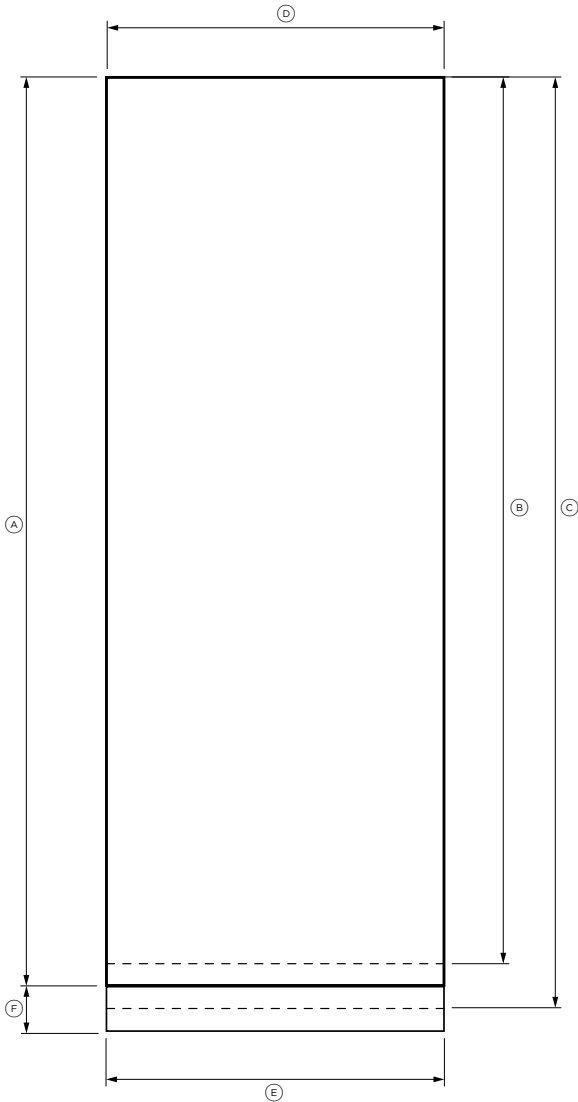
The thickness of the custom door panel can vary provided that the screws do not penetrate beyond the full depth of the door panel.

22x Pilot holes recommended for bracket attachment. (Do not penetrate front surface).

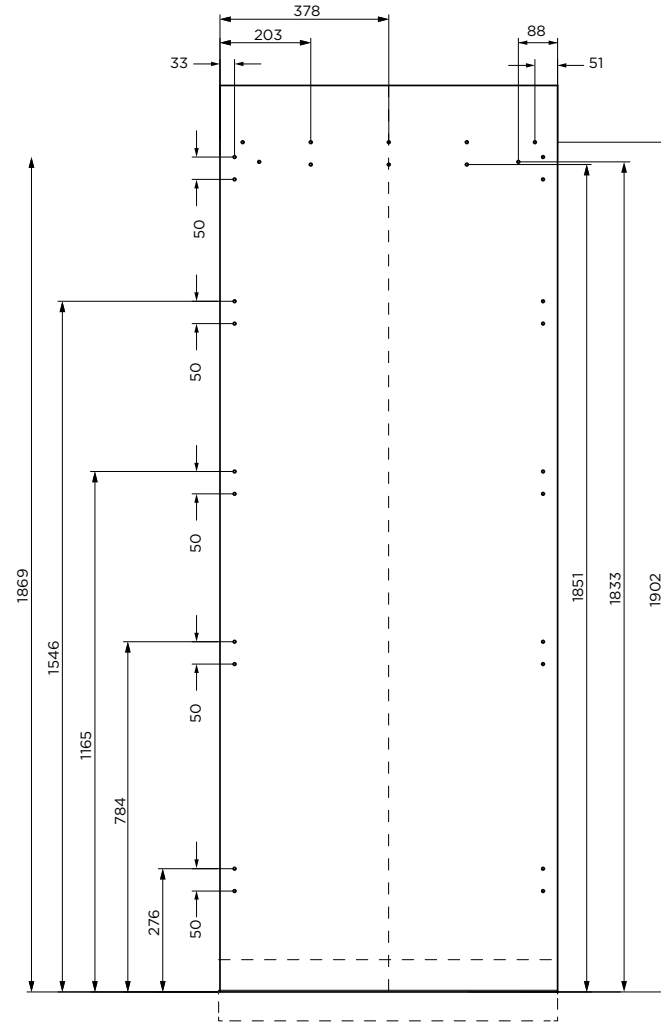
Do not place pilot holes for handle attachment in marked areas to avoid clashing with panel attachment brackets.

The models shown in this Planning Guide may not be available in all markets and are subject to change at any time. Product specifications may vary from those shown. This Planning Guide should not be used as installation guidance for any product. Further information is required to safely and correctly install the products featured here. Specific installation guidance will be available on our website fisherpaykel.com

PANEL DIMENSIONS



MOUNTING HOLES



Model no: RS7621SRHE1, RS7621SLHE1, RS7621FRJE1, RS7621FLJE1, RS7621SRK1, RS7621SLK1, RS7621SRHK1, RS7621SLHK1, RS7621FRJK1, RS7621FLJK1

Custom Panel Dimensions all models*		
	in	mm
Ⓐ Height of door panel (standard 4" from floor)	79 7/8	2029
Ⓑ Height of door panel (6" from floor)	77 7/8	1978
Ⓒ Height of door panel (2" from floor)	81 7/8	2080
Ⓓ Width of single panel	29 3/4	756
Width of dual/multiple panels	29 27/32	758
Ⓔ Width of toe kick	29 7/8	759
Ⓕ Toe kick height**	2 - 6	50 - 152
Panel thickness	min 3/4	min 19mm

Clearance Dimensions*		
Minimum cabinetry gap clearance from edge of door panel	1/8	3

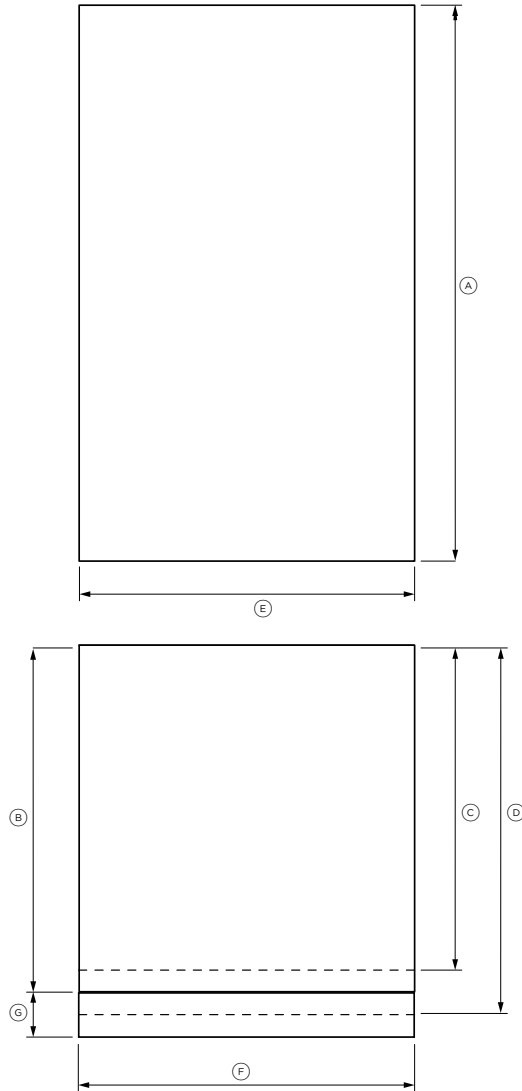
*Custom door panels, toe kick and handles to be manufactured / fitted by a cabinet maker.
 **Toe kick can height can vary depending on panel height and ventilation.
 Dwg and Dxf files of the panel preparation can be downloaded from www.fisherpaykel.com
 The thickness of the custom door panel can vary provided that the screws do not penetrate beyond the full depth of the door panel.

22x Pilot holes recommended for bracket attachment. (Do not penetrate front surface).
 Do not place pilot holes for handle attachment in marked areas to avoid clashing with panel attachment brackets.

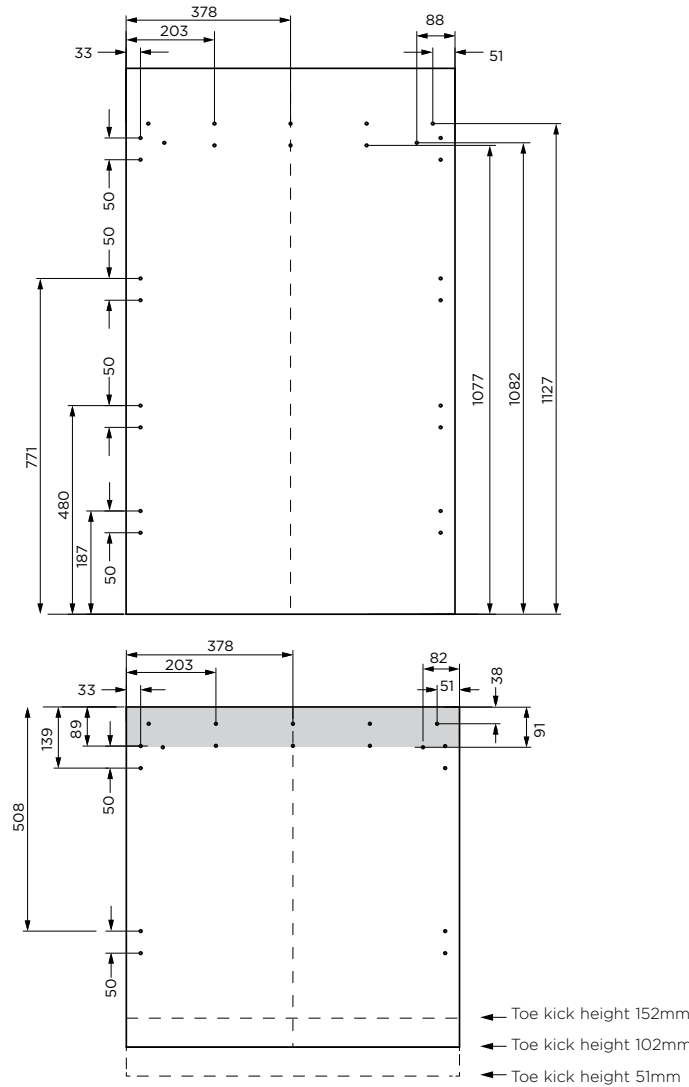
- ← Toe kick height 152mm
- ← Toe kick height 102mm
- ← Toe kick height 51mm

The models shown in this Planning Guide may not be available in all markets and are subject to change at any time. Product specifications may vary from those shown. This Planning Guide should not be used as installation guidance for any product. Further information is required to safely and correctly install the products featured here. Specific installation guidance will be available on our website fisherpaykel.com

PANEL DIMENSIONS



MOUNTING HOLES



Model no: RS7621WRUE1, RS7621WLUE1, RS7621WRUK1, RS7621WLUK1

Custom Panel Dimensions*		
	in	mm
Ⓐ Height of door panel refrigerator	49 3/8	1254
Ⓑ Height of drawer panel (standard)	30 3/8	771
Ⓒ Height of drawer panel (6" from floor)	28 3/8	721
Ⓓ Height of drawer panel (2" from floor)	32 3/8	822
Ⓔ Width of single panel	29 3/4	756
Width of dual/multiple panels	29 27/32	758
Ⓕ Width of toe kick	29 7/8	759
Ⓖ Toe kick height**	2 - 6	50 - 152
Panel thickness	min 3/4	min 19mm

Clearance Dimensions*

Minimum cabinetry gap clearance from edge of door panel	1/8	3
---	-----	---

*Custom door panels, toe kick and handles to be manufactured / fitted by a cabinet maker.

**Toe kick can height can vary depending on panel height and ventilation.

Dwg and Dxf files of the panel preparation can be downloaded from www.fisherpaykel.com

The thickness of the custom door panel can vary provided that the screws do not penetrate beyond the full depth of the door panel.

Cut-outs in the hanging bracket are applicable for Fisher and Paykel handles only.

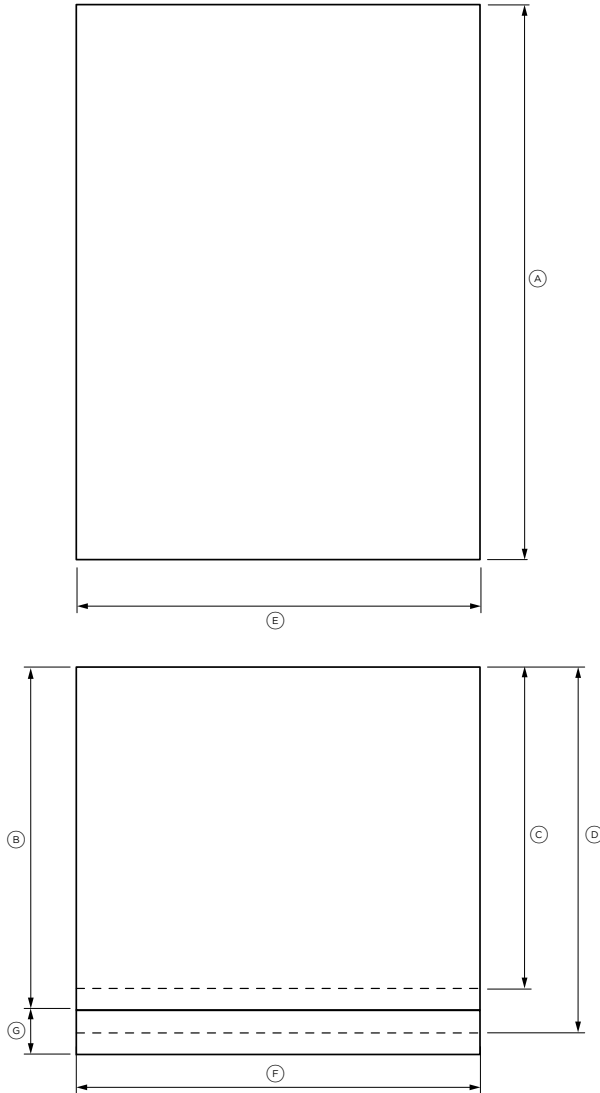
If locating a custom handle in the shaded area shown above, ensure handle screw heads are countersunk into the back of the door panel to avoid interference with the hanging bracket.

10x Pilot holes recommended for bracket attachment. (Do not penetrate front surface).

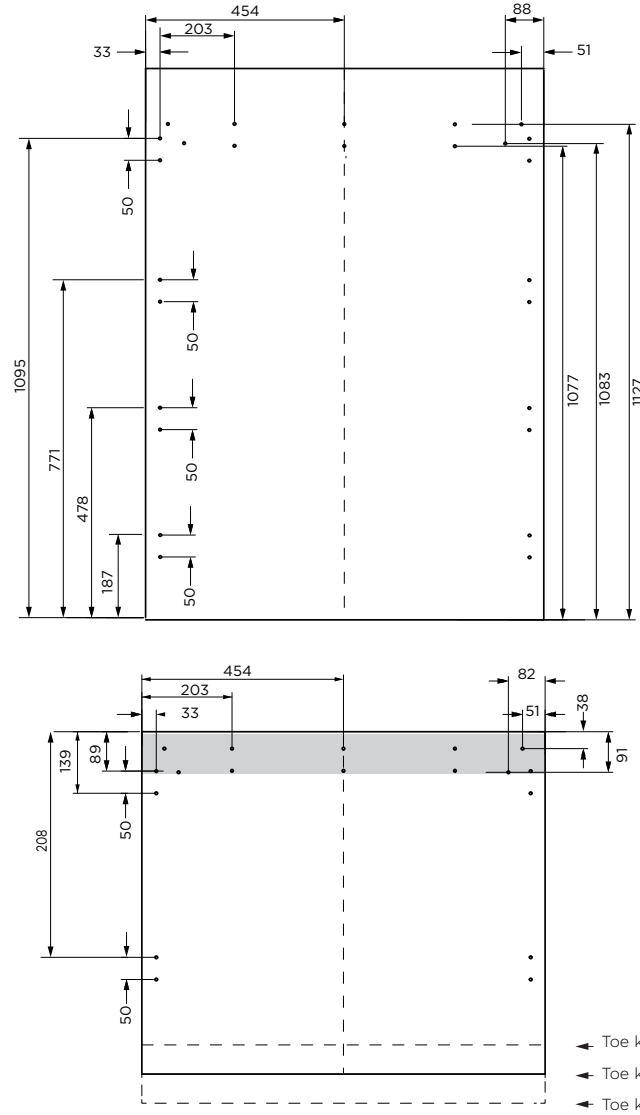
Ensure handle is mounted 65mm from edge of panel to the centre—this will avoid interference with bracket.

The models shown in this Planning Guide may not be available in all markets and are subject to change at any time. Product specifications may vary from those shown. This Planning Guide should not be used as installation guidance for any product. Further information is required to safely and correctly install the products featured here. Specific installation guidance will be available on our website fisherpaykel.com

PANEL DIMENSIONS



MOUNTING HOLES



Model no: RS9121WRUVE1, RS9121WLUVE1

Custom Panel Dimensions*		in	mm
Ⓐ	Height of door panel refrigerator	49 3/8	1254
Ⓑ	Height of drawer panel (standard)	30 3/8	771
Ⓒ	Height of drawer panel (6" from floor)	28 3/8	721
Ⓓ	Height of drawer panel (2" from floor)	32 3/8	822
Ⓔ	Width of single panel	35 3/4	908
	Width of dual/multiple panels	35 13/16	910
Ⓕ	Width of toe kick	35 7/8	911
Ⓖ	Toe kick height**	2 - 6	50 - 152
	Panel thickness	min 3/4	min 19mm

Clearance Dimensions*

Minimum cabinetry gap clearance from edge of door panel	1/8	3
---	-----	---

*Custom door panels, toe kick and handles to be manufactured / fitted by a cabinet maker.
 **Toe kick height can vary depending on panel height and ventilation.

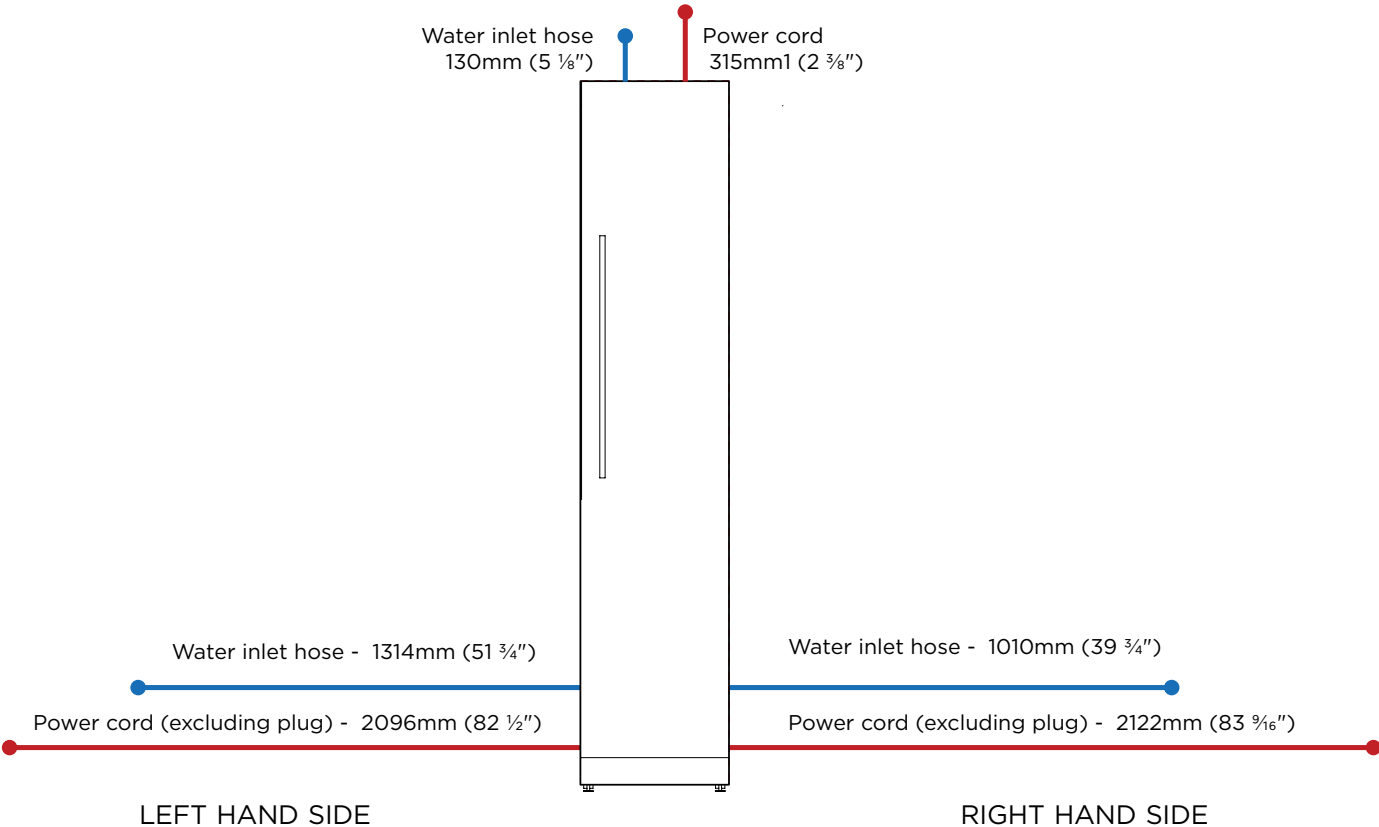
Dwg and Dxf files of the panel preparation can be downloaded from www.fisherpaykel.com
 The thickness of the custom door panel can vary provided that the screws do not penetrate beyond the full depth of the door panel.

10x Pilot holes recommended for bracket attachment. (Do not penetrate front surface).
 Ensure handle is mounted 65mm from edge of panel to the centre – this will avoid interference with bracket.

Cut-outs in the hanging bracket are applicable for Fisher and Paykel handles only.
 If locating a custom handle in the shaded area shown above, ensure handle screw heads are countersunk into the back of the door panel to avoid interference with the hanging bracket.

The models shown in this Planning Guide may not be available in all markets and are subject to change at any time. Product specifications may vary from those shown. This Planning Guide should not be used as installation guidance for any product. Further information is required to safely and correctly install the products featured here. Specific installation guidance will be available on our website fisherpaykel.com

SERVICES

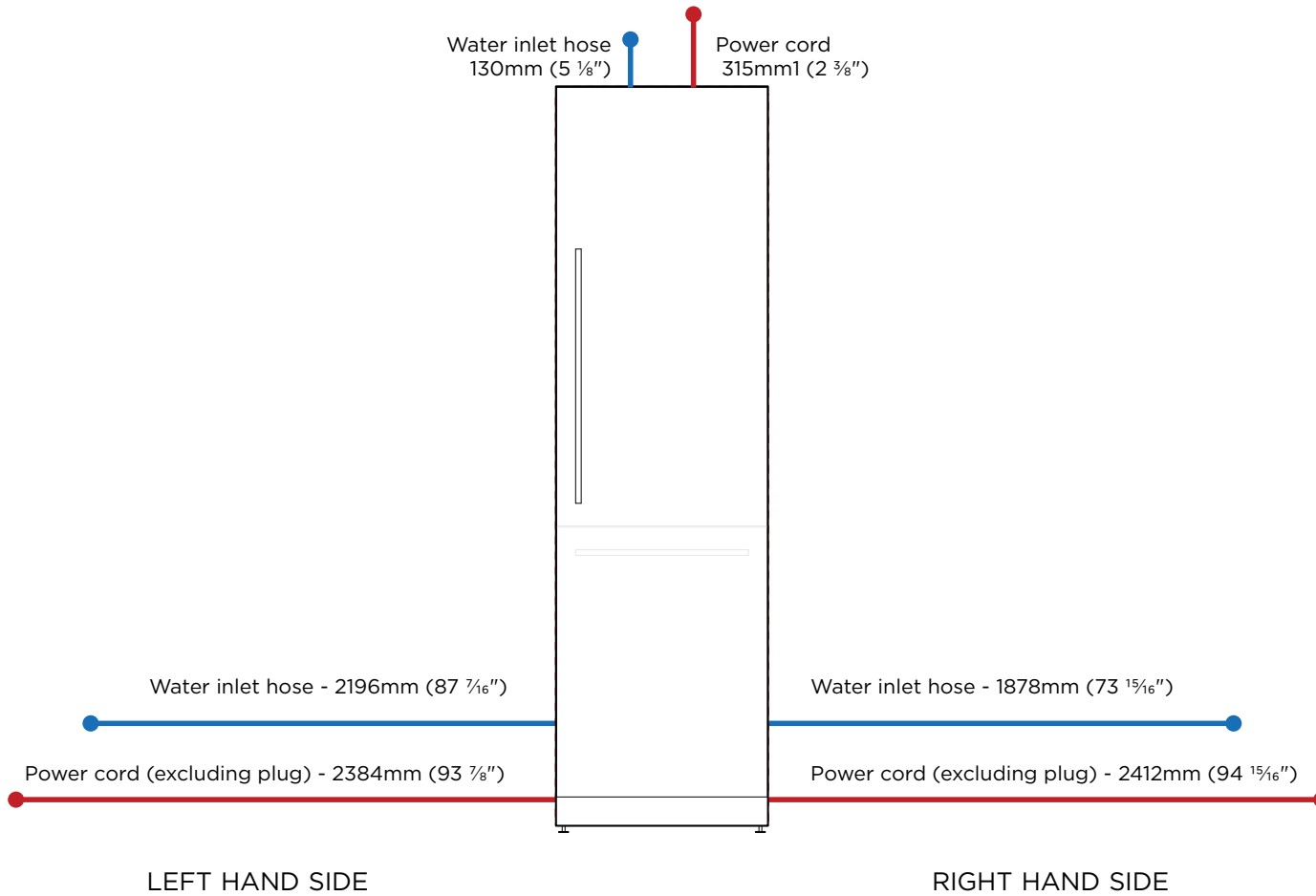


Electrical / Plumbing Specifications

Specifications	
Electrical	
Supply	230 V, 50 Hz
Service	10 A circuit
Plumbing	
Supply	AU/NZ 1/2" (12.7mm) comp. stainless steel braided with hose adopter GB/EU/CN 3/4" (19mm) comp. stainless steel braided with hose adopter
Pressure	min 150 kPa (22 psi) max 827 kPa (120 psi) @ 20°C (68°F)

NOTE: Connections may be located in an adjacent cabinet to either side of the fridge.

IMPORTANT NOTE: Throughout this guide, dimensions may vary by ±2mm (1/16"). Please read the Installation Guide for detailed information on installing the product. For full installation instructions visit fisherpaykel.com



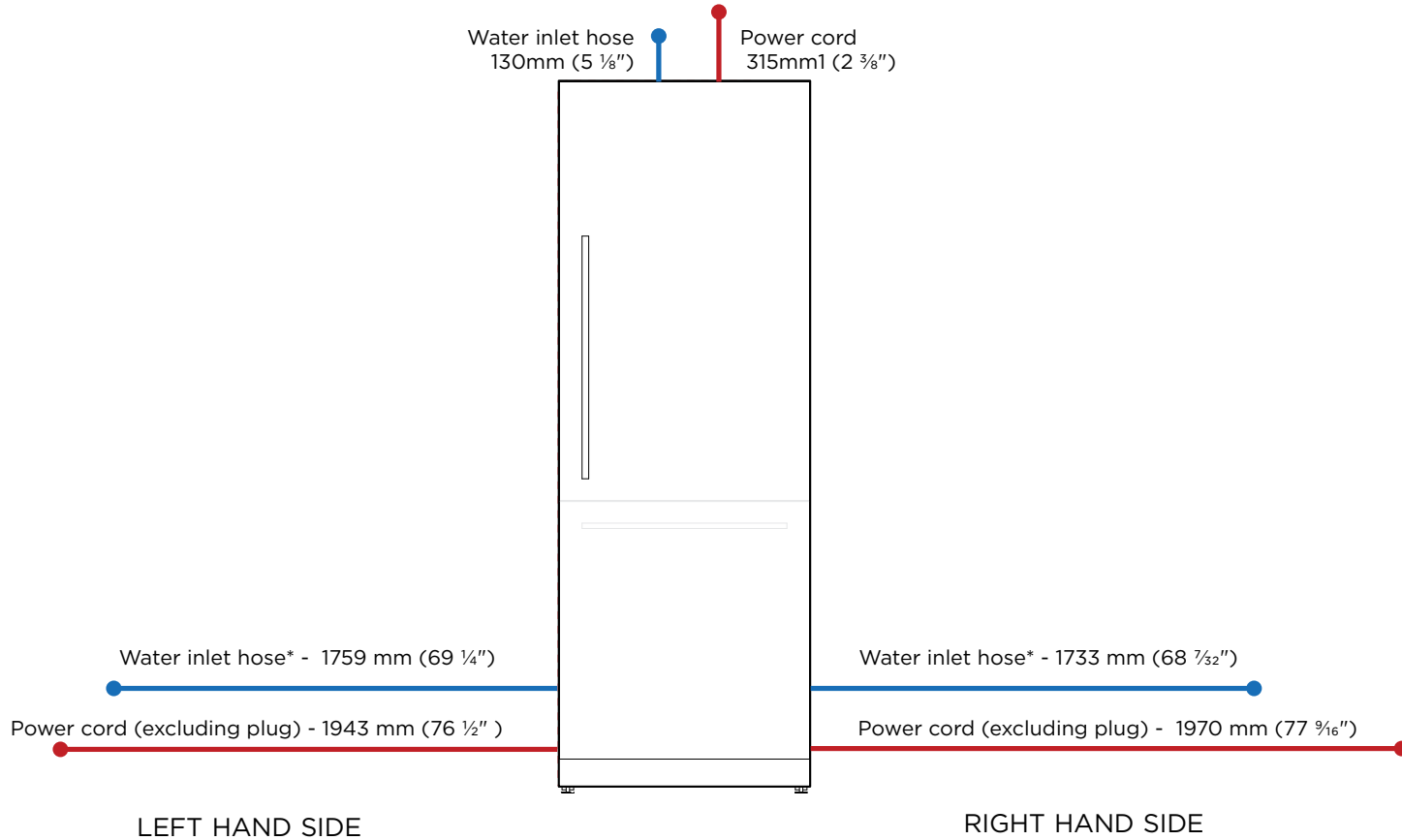
Electrical / Plumbing Specifications

Specifications

Electrical	
Supply	230 V, 50 Hz
Service	10 A circuit
Plumbing	
Supply	AU/NZ 1/2" (12.7mm) comp. stainless steel braided with hose adpoter GB/EU/CN 3/4" (19mm) comp. stainless steel braided with hose adpoter
Pressure	min 150 kPa (22 psi) max 827 kPa (120 psi) @ 20°C (68°F)

NOTE: Connections may be located in an adjacent cabinet to either side of the fridge.

IMPORTANT NOTE: Throughout this guide, dimensions may vary by ±2mm (1/16"). Please read the Installation Guide for detailed information on installing the product. For full installation instructions visit fisherpaykel.com



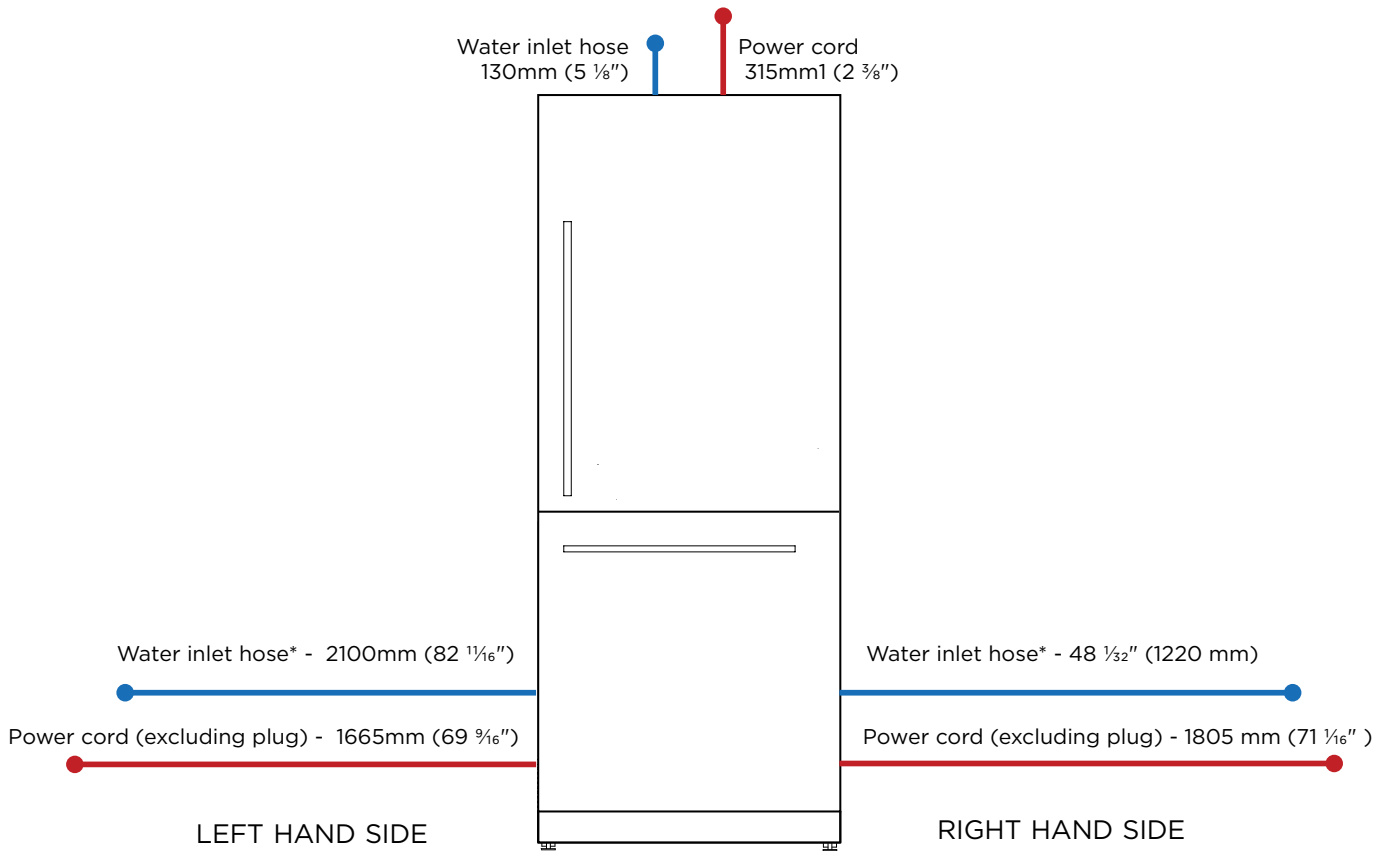
Electrical / Plumbing Specifications

Specifications

Electrical	
Supply	230 V, 50 Hz
Service	10 A circuit
Plumbing	
Supply	AU/NZ 1/2" (12.7mm) comp. stainless steel braided with hose adopter GB/EU/CN 3/4" (19mm) comp. stainless steel braided with hose adopter
Pressure	min 150 kPa (22 psi) max 827 kPa (120 psi) @ 20°C (68°F)

NOTE: Connections may be located in an adjacent cabinet to either side of the fridge.

IMPORTANT NOTE: Throughout this guide, dimensions may vary by ±2mm (1/16"). Please read the Installation Guide for detailed information on installing the product. For full installation instructions visit fisherpaykel.com



Electrical / Plumbing Specifications	
Specifications	
Electrical	
Supply	230 V, 50 Hz
Service	10 A circuit
Plumbing	
Supply	AU/NZ 1/2" (12.7mm) comp. stainless steel braided with hose adapter GB/EU/CN 3/4" (19mm) comp. stainless steel braided with hose adapter
Pressure	min 150 kPa (22 psi) max 827 kPa (120 psi) @ 20°C (68°F)

NOTE: Connections may be located in an adjacent cabinet to either side of the fridge.

IMPORTANT NOTE: Throughout this guide, dimensions may vary by ±2mm (1/16"). Please read the Installation Guide for detailed information on installing the product. For full installation instructions visit fisherpaykel.com

