

FISHER & PAYKEL

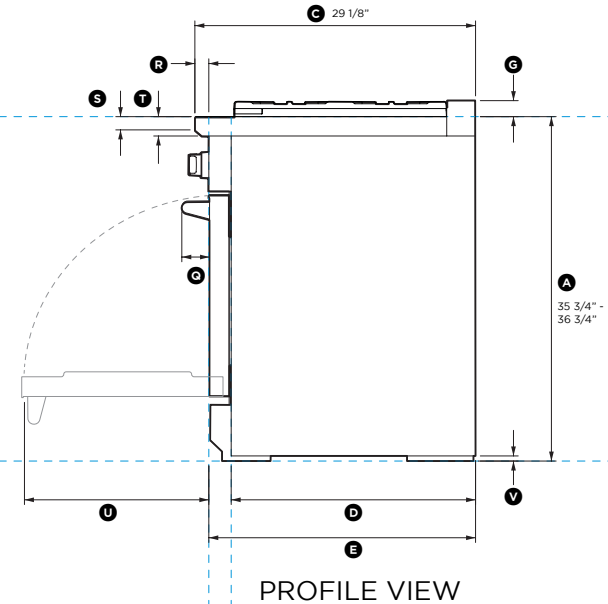
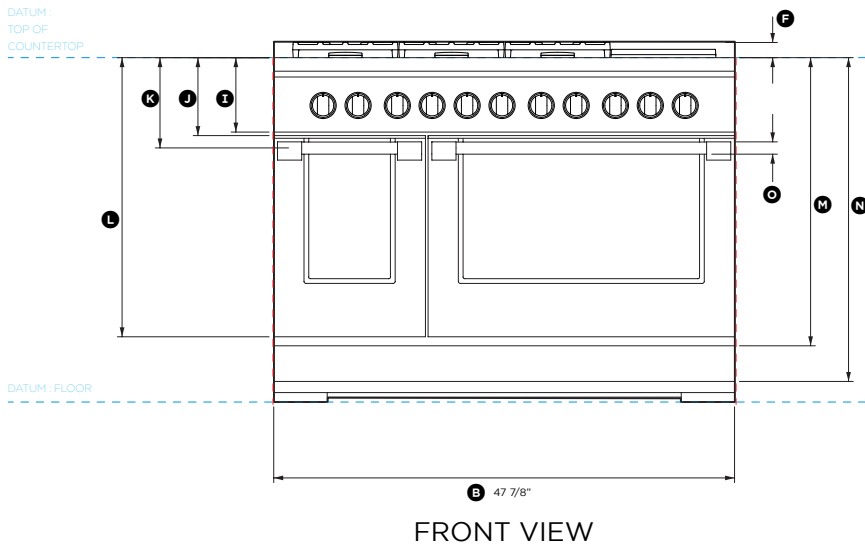
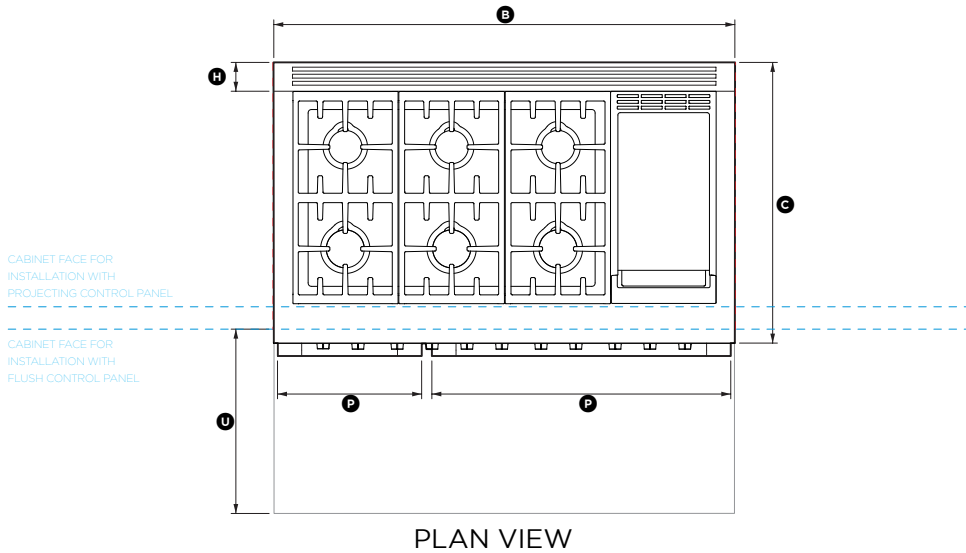
DATA SHEET

Gas Range, 48", Professional

Model no:

RGV3-486GD

(refer page 4 for metric measurements)



Product Dimensions

| | in |
|---|--------------------------|
| Ⓐ Height of range (from floor to cooktop, excluding grates and rear trim) | min 35 3/4 max 36 3/4 |
| Ⓑ Overall width of range | 47 7/8 |
| Ⓒ Overall depth of product (excluding handle and dials) | 29 1/8 |
| Ⓓ Depth from rear of chassis to cabinetry face - projecting | 25 3/8 |
| Ⓔ Depth from rear of chassis to cabinetry face - flush | 27 11/16 |
| Ⓕ Height from countertop to top of pan supports | 1 9/16 |
| Ⓖ Height of rear trim | 1 11/16 |
| Ⓗ Depth of rear trim | 3 |
| Ⓘ Height from counter top to bottom of control panel | 7 3/4 |
| Ⓝ Height from countertop to top of foot | 8 1/8 |
| Ⓚ Height of countertop to centre of handle | 9 7/16 |
| Ⓛ Height from counter top to bottom of door | 29 |
| Ⓜ Height from counter top of lower panel | 29 15/16 |
| Ⓝ Height from counter top to bottom of lower panel | 33 5/8 |
| Ⓞ Thickness of handle rail | 1 1/4 |
| Ⓟ Width of handle (including stand offs) - left - right | 14 15/16 31 |
| Ⓠ Depth of handle (measured from front of door) | 2 7/8 |
| Ⓡ Depth of front of cooktop to control panel | 2 |
| Ⓢ Height of cooktop front face | 1 3/8 |
| Ⓣ Height from top of cooktop to control panel | 2 |
| Ⓤ Depth of open door to cabinetry face - flush | 19 1/8 |
| Ⓡ Adjustable feet height | min 1/2 max 1 1/2 |

Clearance Dimensions

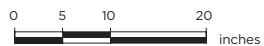
| | in |
|--|--------------|
| Overall width of cavity | min 48 |
| Overall depth of cavity for projecting control panel | max 25 3/8 |
| Overall depth of cavity for flush control panel | max 27 11/16 |
| Maximum height from floor to countertop: | |
| - for level counter | 35 3/4 |
| - with levelling legs fully extended | 36 3/4 |

IMPORTANT NOTE: For full installation and clearance details please refer to our installation manual

INDICATES CAVITY CLEARANCES -----
 INDICATES CABINETRY / PRODUCT DATUM -----
 INDICATES CABINETRY CLEARANCES -----

DATE: 20.6.2024

IMPORTANT NOTE: Throughout this guide, dimensions may vary by $\pm 2\text{mm}$ (1/16"). Please read the installation manual for detailed information on installing the product. For full installation instructions & specifications visit fisherpaykel.com



CABINET FACE FOR INSTALLATION WITH FLUSH CONTROL PANEL
 CABINET FACE FOR INSTALLATION WITH PROJECTING CONTROL PANEL

FISHER & PAYKEL

DATA SHEET

Gas Range, 48", Professional

Model no:

RGV3-486GD

(refer page 5 for metric measurements)

| Clearance Dimensions | in |
|---|-------|
| Ⓐ Minimum width of ventilation hood installed above cooktop - not shown* | 48 |
| Ⓑ Minimum vertical distance between countertop and cabinet extending above counter | 18 |
| Ⓒ Minimum clearance from left and right edge of cooktop to nearest vertical combustible surface | 12 |
| Ⓓ Minimum clearance from cooking surface to: | |
| - combustible surface centred above the cooking surface | 54 |
| - combustible covering ventilation hood centred above the cooking surface | 36 |
| - non combustible surface* centred above the cooking surface | 30 |
| Ⓔ Maximum overall depth of overhead cabinetry | 13 |
| Ⓕ Distance from centre of rear burner to rear of burner | 8 3/4 |

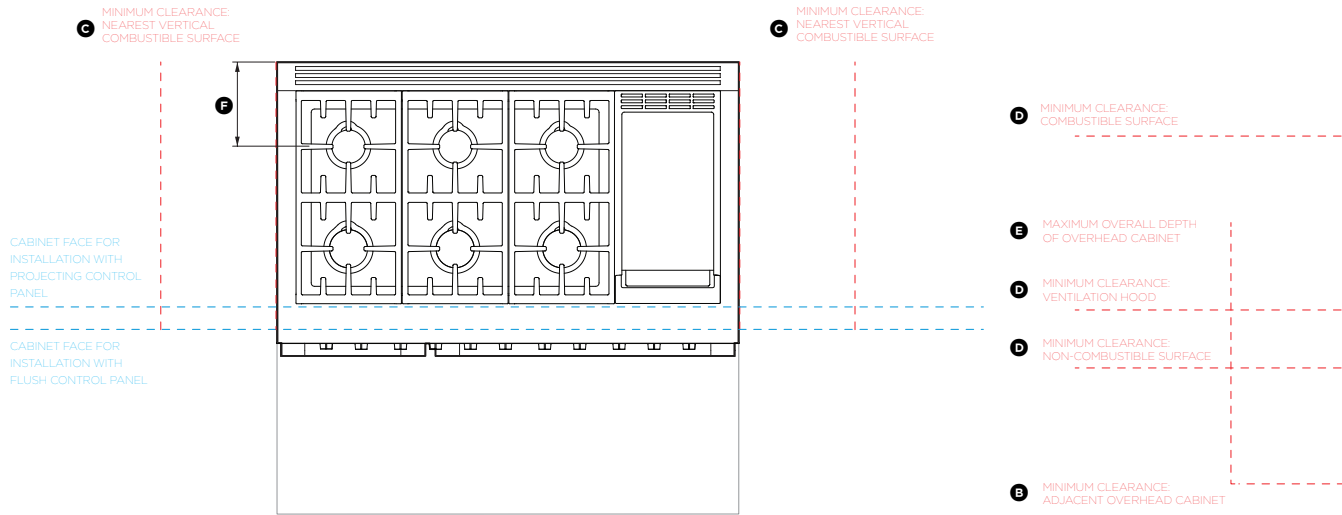
*Non-combustible surfaces: as defined in 'National Fuel Gas Code' (ANSI Z223.1, Current Edition). Clearances from non combustible materials are not part of the ANSI Z21.1 scope and are not yet certified by UL. Clearances of less than 6" (152mm) must be approved by the local codes and/or by the local authority having jurisdiction.

IMPORTANT NOTE: For full installation and clearance details please refer to our installation manual

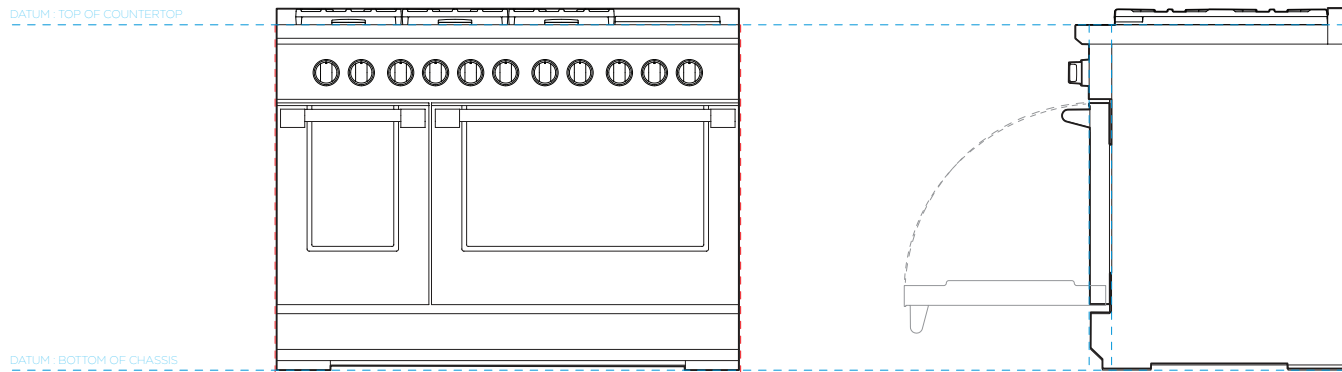
INDICATES CAVITY CLEARANCES -----
 INDICATES CABINETRY / PRODUCT DATUM -----
 INDICATES CABINETRY CLEARANCES -----

DATE: 20.6.2024

IMPORTANT NOTE: Throughout this guide, dimensions may vary by ±2mm (1/16"). Please read the installation manual for detailed information on installing the product. For full installation instructions & specifications visit fisherpaykel.com



PLAN VIEW



FRONT VIEW

PROFILE VIEW



CABINET FACE FOR INSTALLATION WITH FLUSH CONTROL PANEL
 CABINET FACE FOR INSTALLATION WITH PROJECTING CONTROL PANEL

FISHER & PAYKEL

DATA SHEET

Gas Range, 48", Professional

Model no:

RGV3-486GD

(refer page 6 for metric measurements)

| Supply Area Dimensions | in | mm |
|---|-------|-----|
| Ⓐ Distance from right edge of range to supply area | 1 1/2 | 38 |
| Ⓑ Width of supply areas 48" models | 3 | 76 |
| Ⓒ Depth of supply areas (ie maximum protrusion of gas connection from wall) | 2 | 51 |
| Ⓓ Height of gas supply area (from floor) | 12 | 305 |
| Ⓔ Height of electrical supply area (from floor) | 19 | 483 |

Electrical

| | |
|------------|-----------------------------|
| Supply | 120 V, 60 Hz |
| Service | 15 A |
| Connection | 3-prong grounding type plug |

Gas - Natural

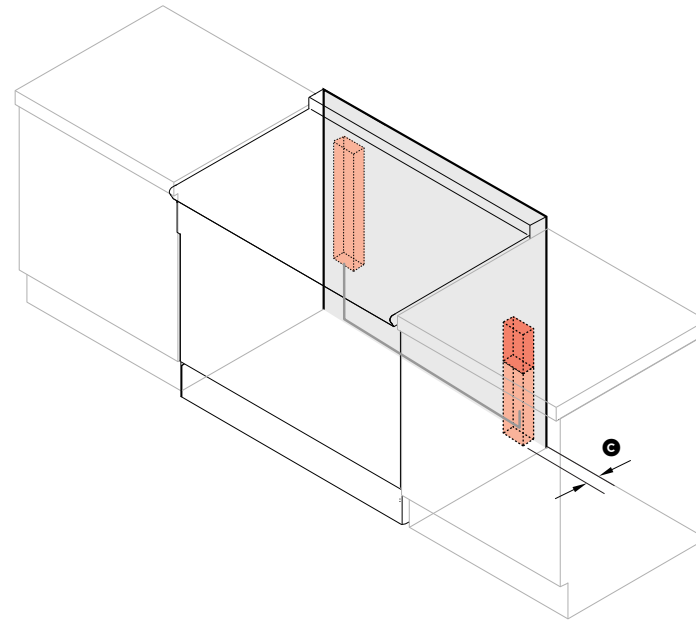
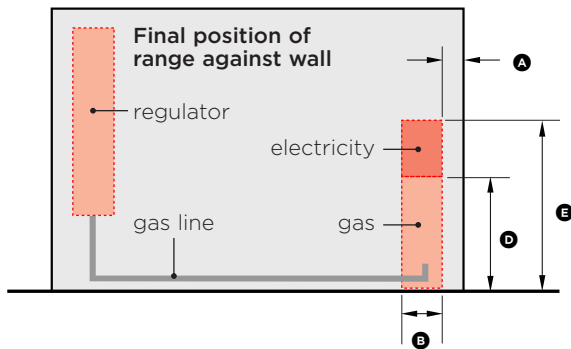
| | |
|-----------------|--------------------------------------|
| Connection | 1/2" NPT Minimum 5/8" dia. flex line |
| Supply Pressure | Supply Pressure 6" to 9" W.C. |

Gas - LP

| | |
|-----------------|--------------------------------------|
| Connection | 1/2" NPT Minimum 5/8" dia. flex line |
| Supply Pressure | Supply Pressure 11" to 14" W.C. |

| | |
|----------------------------|------|
| Oven Total Capacity | 195L |
|----------------------------|------|

IMPORTANT NOTE: For full installation and clearance details please refer to our installation manual



INDICATES CAVITY CLEARANCES -----

INDICATES CABINETRY / PRODUCT DATUM -----

INDICATES CABINETRY CLEARANCES -----

DATE: 20.6.2024

IMPORTANT NOTE: Throughout this guide, dimensions may vary by $\pm 2\text{mm}$ (1/16"). Please read the installation manual for detailed information on installing the product. For full installation instructions & specifications visit fisherpaykel.com

FISHER & PAYKEL

DATA SHEET

Gas Range, 48", Professional

Model no:

RGV3-486GD

(refer page 1 for imperial measurements)

| Product Dimensions | mm |
|---|--------------------|
| Ⓐ Height of range (from floor to cooktop, excluding grates and rear trim) | min 908 max 933 |
| Ⓑ Overall width of range | 1216 |
| Ⓒ Overall depth of product (excluding handle and dials) | 740 |
| Ⓓ Depth from rear of chassis to cabinetry face - projecting | 644 |
| Ⓔ Depth from rear of chassis to cabinetry face - flush | 703 |
| Ⓕ Height from countertop to top of pan supports | 40 |
| Ⓖ Height of rear trim | 42 |
| Ⓗ Depth of rear trim | 76 |
| Ⓘ Height from counter top to bottom of control panel | 196 |
| Ⓝ Height from countertop to top of door | 206 |
| Ⓚ Height of countertop to centre of handle | 239 |
| Ⓛ Height from counter top to bottom of door | 736 |
| Ⓜ Height from counter top of lower panel | 760 |
| Ⓝ Height from counter top to bottom of lower panel | 854 |
| Ⓞ Thickness of handle rail | 32 |
| Ⓟ Width of handle (including stand offs) - left - right | 380 788 |
| Ⓠ Depth of handle (measured from front of door) | 73 |
| Ⓡ Depth of front of cooktop to control panel | 37 |
| Ⓢ Height of cooktop front face | 35 |
| Ⓣ Height from top of cooktop to control panel | 51 |
| Ⓤ Depth of open door to cabinetry face - flush | 486 |
| Ⓥ Adjustable feet height | min 13 max 38 |

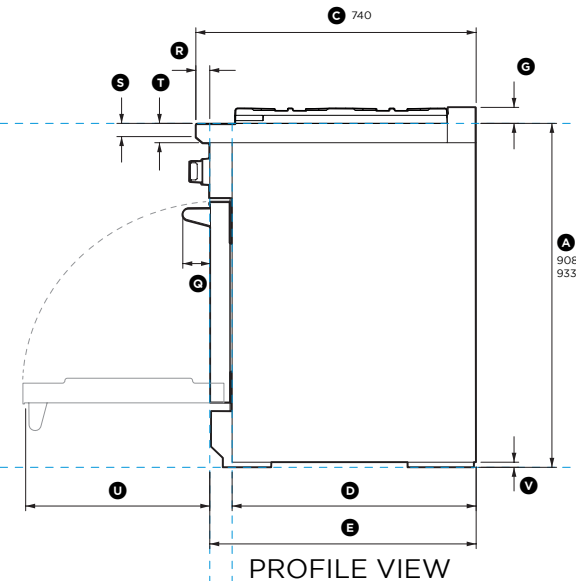
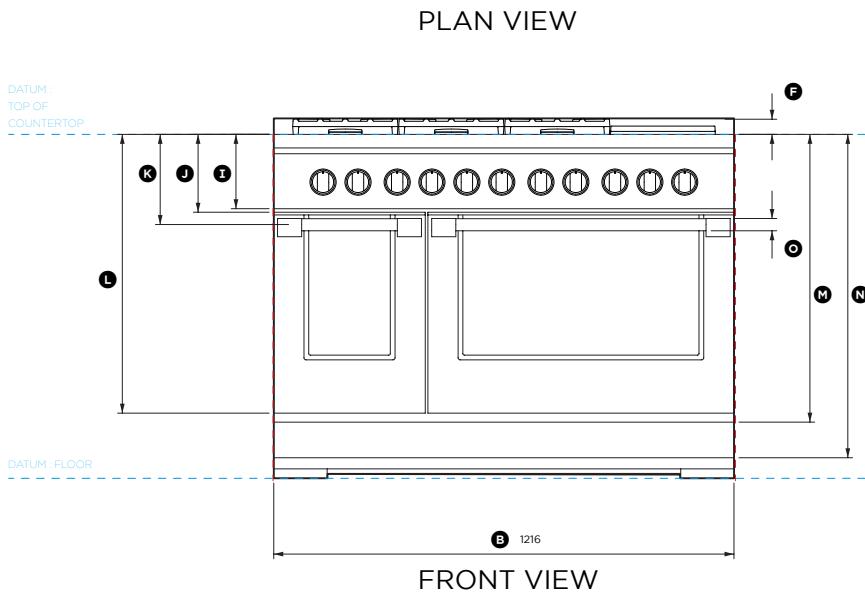
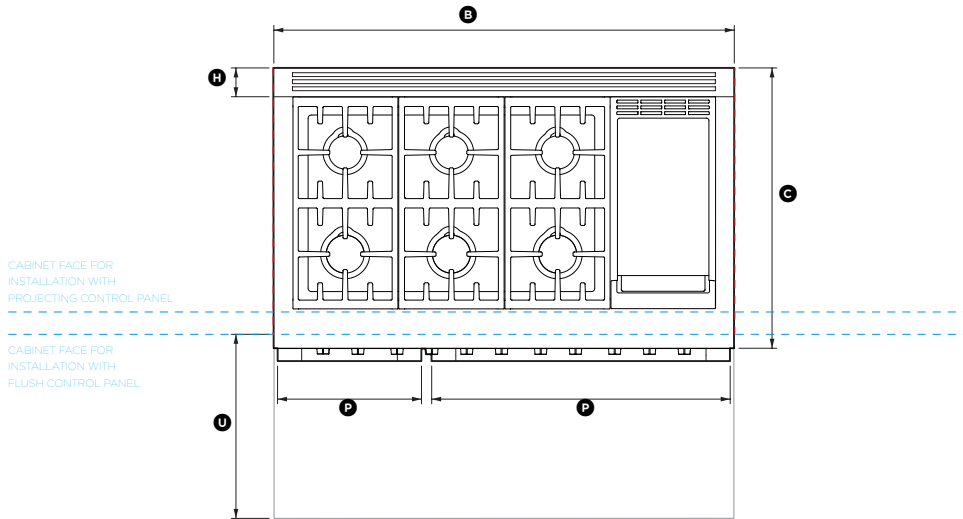
| Clearance Dimensions | in |
|---|------------|
| Overall width of cavity | min 1219 |
| Overall depth of cavity for projecting control panel | max 644 |
| Overall depth of cavity for flush control panel | max 703 |
| Maximum height from floor to countertop: - for level counter - with levelling legs fully extended | 908 933 |

IMPORTANT NOTE: For full installation and clearance details please refer to our installation manual

INDICATES CAVITY CLEARANCES -----
 INDICATES CABINETRY / PRODUCT DATUM - - - - -
 INDICATES CABINETRY CLEARANCES -

DATE: 20.6.2024

IMPORTANT NOTE: Throughout this guide, dimensions may vary by ±2mm (1/16"). Please read the installation manual for detailed information on installing the product. For full installation instructions & specifications visit fisherpaykel.com



CABINET FACE FOR INSTALLATION WITH FLUSH CONTROL PANEL
 CABINET FACE FOR INSTALLATION WITH PROJECTING CONTROL PANEL

FISHER & PAYKEL

DATA SHEET

Gas Range, 48", Professional

Model no:

RGV3-486GD

(refer page 2 for imperial measurements)

Clearance Dimensions

| | mm |
|--|--------------------|
| Ⓐ Minimum width of ventilation hood installed above cooktop - not shown* | 1219 |
| Ⓑ Minimum vertical distance between countertop and cabinet extending above counter | 457 |
| Ⓒ Minimum clearance from left and right edge of cooktop to nearest vertical combustible surface | 305 |
| Ⓓ Minimum clearance from cooking surface to: - combustible surface centred above the cooking surface - combustible covering ventilation hood centred above the cooking surface - non combustible surface* centred above the cooking surface | 1372 914 762 |
| Ⓔ Maximum overall depth of overhead cabinetry | 330 |
| Ⓕ Distance from centre of rear burner to rear of burner | 222 |

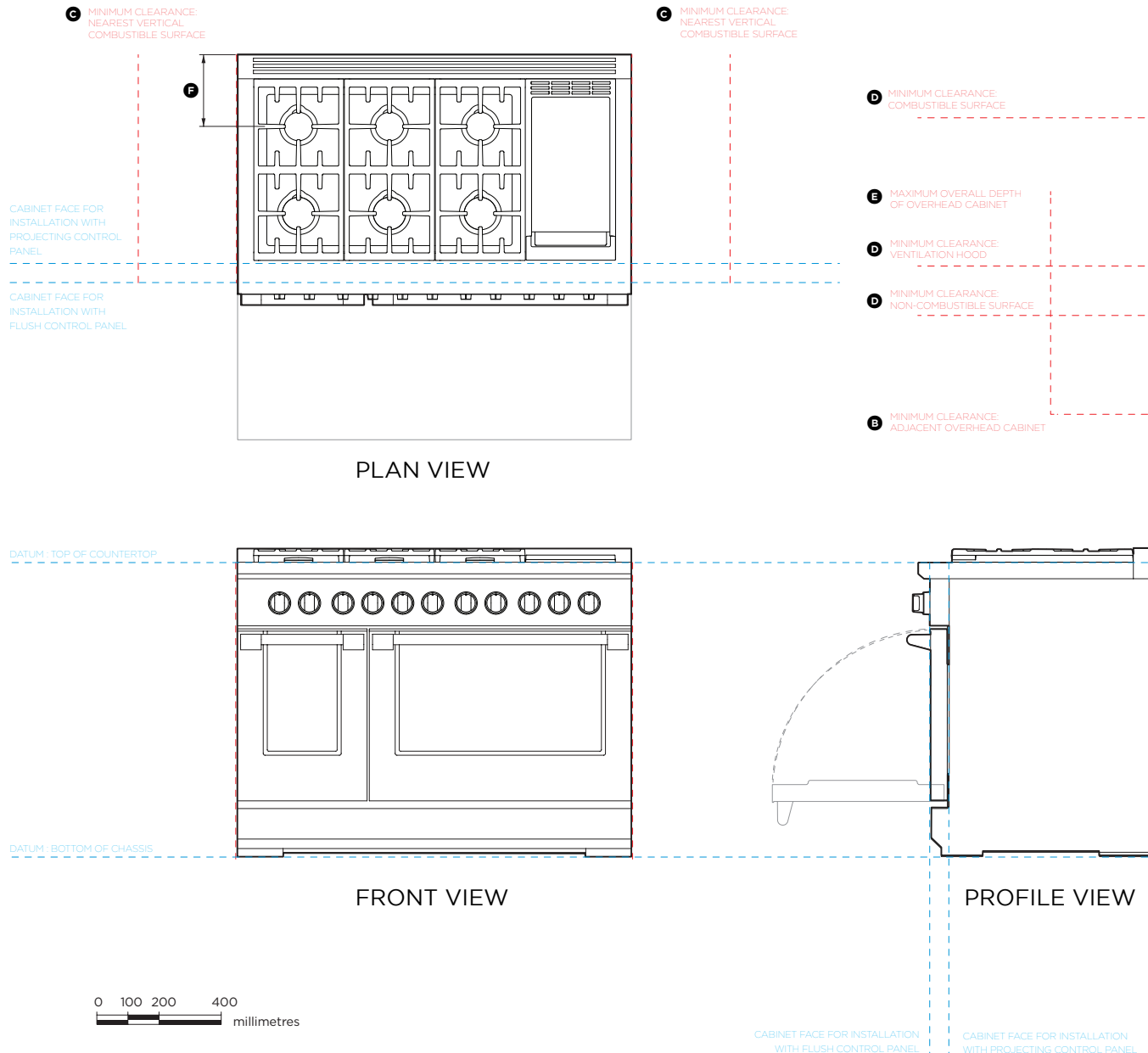
*Non-combustible surfaces: as defined in 'National Fuel Gas Code' (ANSI Z223.1, Current Edition). Clearances from non combustible materials are not part of the ANSI Z21.1 scope and are not yet certified by UL. Clearances of less than 6" (152mm) must be approved by the local codes and/or by the local authority having jurisdiction.

IMPORTANT NOTE: For full installation and clearance details please refer to our installation manual

INDICATES CAVITY CLEARANCES -----
INDICATES CABINERY / PRODUCT DATUM -----
INDICATES CABINERY CLEARANCES -----

DATE: 20.6.2024

IMPORTANT NOTE: Throughout this guide, dimensions may vary by $\pm 2\text{mm}$ (1/16"). Please read the installation manual for detailed information on installing the product. For full installation instructions & specifications visit fisherpaykel.com



FISHER & PAYKEL

DATA SHEET

Gas Range, 48", Professional

Model no:

RGV3-486GD

(refer page 3 for imperial measurements)

| Supply Area Dimensions | in | mm |
|---|-------|-----|
| Ⓐ Distance from right edge of range to supply area | 1 1/2 | 38 |
| ⓐ Width of supply areas 48" models | 3 | 76 |
| ⓒ Depth of supply areas (ie maximum protrusion of gas connection from wall) | 2 | 51 |
| ⓓ Height of gas supply area (from floor) | 12 | 305 |
| ⓔ Height of electrical supply area (from floor) | 19 | 483 |

Electrical

| | |
|------------|-----------------------------|
| Supply | 120 V, 60 Hz |
| Service | 15 A |
| Connection | 3-prong grounding type plug |

Gas - Natural

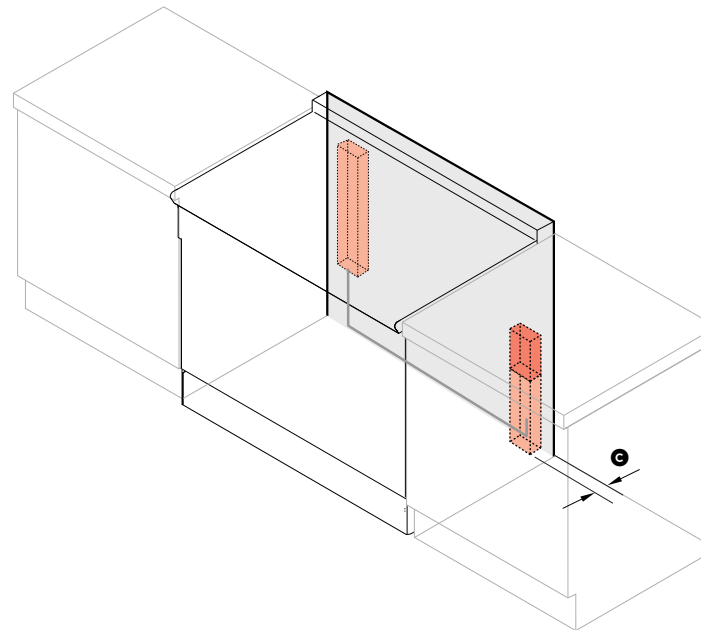
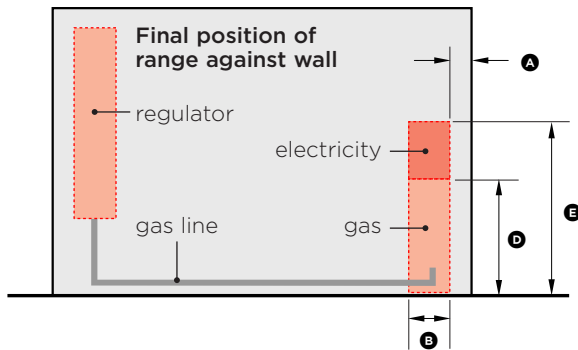
| | |
|-----------------|--------------------------------------|
| Connection | 1/2" NPT Minimum 5/8" dia. flex line |
| Supply Pressure | Supply Pressure 6" to 9" W.C |

Gas - LP

| | |
|-----------------|--------------------------------------|
| Connection | 1/2" NPT Minimum 5/8" dia. flex line |
| Supply Pressure | Supply Pressure 11" to 14" W.C. |

Oven Total Capacity 195L

IMPORTANT NOTE: For full installation and clearance details please refer to our installation manual



INDICATES CAVITY CLEARANCES -----

INDICATES CABINETRY / PRODUCT DATUM -----

INDICATES CABINETRY CLEARANCES -----

DATE: 20.6.2024

IMPORTANT NOTE: Throughout this guide, dimensions may vary by $\pm 2\text{mm}$ (1/16"). Please read the installation manual for detailed information on installing the product. For full installation instructions & specifications visit fisherpaykel.com