

Convection Speed Oven 24

Series 9 | Contemporary

Stainless Steel

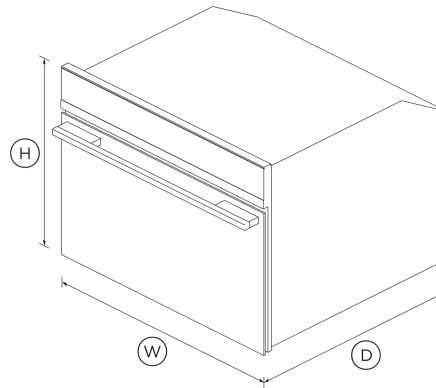


The perfect addition to the kitchen, this Convection Speed Oven provides a variety of fast cooking options including True Convection and Broil.

- 1.3 cu ft total capacity
- Intuitive display with nine oven functions
- Full width grill function
- Easy clean interior

DIMENSIONS

| | |
|--------|-----------|
| Height | 18 1/16 " |
| Width | 23 1/2 " |
| Depth | 22 1/8 " |



FEATURES & BENEFITS

Sized To Suit

This compact 24" Convection Speed Oven can be placed almost anywhere. Companion products share the same dimensions and can be installed in multiple configurations to suit your kitchen design and preference.

Cooking Flexibility

Choose from nine cooking modes including True Convection and Broil. With both microwave and convection oven technology in the same oven, you have more flexibility for your culinary creations.

Easy To Use

The intuitive touch display shows you all the information you need, allowing you to easily program in your desired cooking mode and duration.

Beauty Of Choice

With the choice of a stylish stainless steel or elegant black trim, our Companion products help you achieve a coherent kitchen aesthetic that suits your design style.

Easy Cleaning

This Convection Speed Oven has formed side racks and a stainless steel interior that are easy to clean.

Safe And Sound

The CoolTouch door is safe to touch from the outside, protecting your hands and the surrounding cabinetry.

SPECIFICATIONS

Accessories (included)

| | |
|-----------------|---|
| Baking pan | 1 |
| Glass turntable | 1 |
| Wire shelf | 1 |

Accessories (sold separately)

| | |
|--|------------|
| Handle kit Contemporary round, aluminium | Part 81671 |
| Matching Trim Kit | TK30NDB1 |
| Optional lower trim kit | Part 81662 |

Capacity

| | |
|-----------------|-----------|
| Shelf positions | 3 |
| Total capacity | 1.3 cu ft |

| | | | | | |
|---|-----------|---------------------------|-----------|---|---|
| Usable capacity | 1.2 cu ft | Number of functions | 9 | SKU | 82297 |
| <hr/> | | Ring + broil | • | <hr/> | |
| Cleaning | | True convection | • | The product dimensions and specifications in this page apply to the specific product and model. Under our policy of continuous improvement, these dimensions and specifications may change at any time. You should therefore check with Fisher & Paykel's Customer Care Centre to ensure this page correctly describes the model currently available. © Fisher & Paykel Appliances Ltd 2020 | |
| <hr/> | | Performance | | Other product downloads available at fisherpaykel.com | |
| Easy clean stainless steel interior | • | Broil power | 1500 W | ↓ | 2D-DWG Convection Speed Oven with 30" Trim |
| <hr/> | | Microwave power | 900 W | ↓ | 2D-DWG Convection Speed Oven with Bottom Trim |
| Consumption | | Microwave power levels | 6 | ↓ | 2D-DWG Convection Speed Oven |
| Microwave energy consumption | 1.65 kWh | <hr/> | | ↓ | 2D-DXF Convection Speed Oven with 30" Trim |
| <hr/> | | Power requirements | | ↓ | 2D-DXF Convection Speed Oven with Bottom Trim |
| Controls | | Amperage | 15 A | ↓ | 2D-DXF Convection Speed Oven |
| Automatic cooking/minute timer | • | Supply frequency | 60 Hz | ↓ | Archicad Convection Speed Oven |
| Automatic pre-set temperatures | • | Supply voltage | 208-240 V | ↓ | Archicad Convection Speed Oven with 24" Trim |
| Celsius/Fahrenheit temperature | • | <hr/> | | ↓ | Archicad Convection Speed Oven with 30" Trim |
| Delay start | • | Product dimensions | | ↓ | Data Sheet Convection Speed Oven with 30" Trim |
| Electronic clock | • | Depth | 22 1/8 " | ↓ | Data Sheet Convection Speed Oven with Bottom Trim |
| Electronic oven control | • | Height | 18 1/16 " | ↓ | Data Sheet Convection Speed Oven |
| Guided cooking by food type and recipes | • | Width | 23 1/2 " | ↓ | Service & Warranty |
| Halogen lights | • | <hr/> | | ↓ | Installation Guide Companion Products EN |
| Intuitive touchscreen display | • | Safety | | ↓ | Guide d'installation FR |
| <hr/> | | Control panel key lock | • | ↓ | Installation Guide - Cavity Trim Kit |
| Functions | | CoolTouch door | • | ↓ | Preliminary Specification Guide Speed Oven |
| Broil | • | <hr/> | | ↓ | Revit Convection Speed Oven |
| Convection Broil | • | Warranty | | ↓ | Revit Convection Speed Oven with 24" Trim |
| Defrost by time | • | Parts and labor | 2 years | ↓ | Revit Convection Speed Oven with 30" Trim |
| Defrost by weight | • | <hr/> | | ↓ | Rhino Convection Speed Oven |
| Microwave + broil | • | Warranty | | ↓ | Rhino Convection Speed Oven with 24" Trim |
| Microwave + ring | • | <hr/> | | ↓ | Rhino Convection Speed Oven with 30" Trim |
| Microwave cooking | • | <hr/> | | ↓ | |

- [↓ Sketchup Convection Speed Oven](#)
- [↓ Sketchup Convection Speed Oven with 24" Trim](#)
- [↓ Sketchup Convection Speed Oven with 30" Trim](#)
- [↓ Specification Guide Convection Speed Oven](#)
- [↓ Guide d'utilisation FR](#)

Where applicable:

All appliances use energy, and energy usage typically generates carbon emissions. **Fisher & Paykel Appliances' In-use Energy Carbon Emissions Estimate** indicates carbon emissions from a product's in-use energy. This is calculated either annually or per cycle, using the product's market-specific energy label energy consumption data multiplied by the carbon emissions factor for energy in your country or region.

Our In-use Energy Carbon Emissions Estimate is designed to assist customers in making informed purchasing decisions when comparing different Fisher & Paykel products. For example, a heat pump dryer typically has a lower In-use Energy Carbon Emissions Estimate than a vented dryer.



A PEACE OF MIND SALE
24 Hours 7 Days a Week Customer Support
T 1.888.936.7872 W www.fisherpaykel.com