

# 60cm Series 5 Contemporary Oven, 7 Function

Series 5 | Contemporary

Stainless Steel

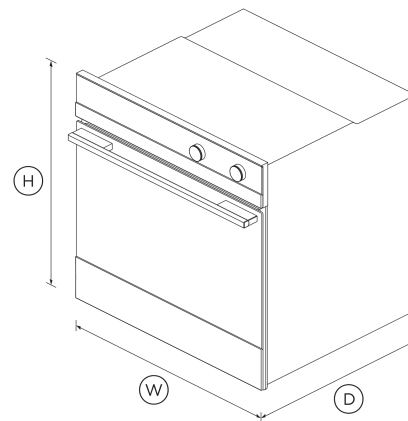


With contemporary styling and clean lines in glass and steel, this built-in oven complements the style and elegance of any modern kitchen.

## DIMENSIONS

|        |        |
|--------|--------|
| Height | 598 mm |
| Width  | 597 mm |

Depth **565 mm**



Usable capacity **72 L**

## SPECIFICATIONS

### Accessories (included)

|                  |              |
|------------------|--------------|
| Catalytic panels | •            |
| Grill rack       | <b>1 set</b> |
| Roasting dish    | <b>1</b>     |

### Accessories (sold separately)

|  |                   |
|--|-------------------|
| Handle kit Contemporary round, aluminium | <b>Part 81645</b> |
|--|-------------------|

### Capacity

|                 |             |
|-----------------|-------------|
| Shelf positions | <b>6</b>    |
| Total capacity  | <b>85 L</b> |

### Cleaning

|                                 |   |
|---------------------------------|---|
| Acid resistant graphite enamel  | • |
| Drop down grill element         | • |
| Removable oven door inner glass | • |
| Removable shelf runners         | • |

### Controls

|                                |   |
|--------------------------------|---|
| Automatic cooking/minute timer | • |
| Electronic clock               | • |

### Functions

|                     |          |
|---------------------|----------|
| Bake                | •        |
| Classic bake        | •        |
| Fan bake            | •        |
| Fan forced          | •        |
| Fan grill           | •        |
| Grill               | •        |
| Number of functions | <b>7</b> |
| Pastry Bake         | •        |

### Performance

|                       |               |
|-----------------------|---------------|
| AeroTech™ technology  | •             |
| Grill power           | <b>3000 W</b> |
| Whisper Quiet Cooking | •             |

**Power requirements**

Amperage **15 A**

**Product dimensions**

Depth **565 mm**

Height **598 mm**

Width **597 mm**

**Safety**

Balanced oven door •

CoolTouch door •

Non-tip shelves •

**Warranty**

Parts and labour **2 years**

SKU **81491**

The product dimensions and specifications in this page apply to the specific product and model. Under our policy of continuous improvement, these dimensions and specifications may change at any time. You should therefore check with Fisher & Paykel's Customer Care Centre to ensure this page correctly describes the model currently available. © Fisher & Paykel Appliances Ltd 2020

- [↓ 2D-DWG Oven](#)
- [↓ 2D-DXF Oven](#)
- [↓ Archicad Oven](#)
- [↓ Data Sheet Oven](#)
- [↓ Service & Warranty](#)
- [↓ Installation Guide Built-In Oven](#)
- [↓ Installation Guide](#)
- [↓ Revit Oven](#)
- [↓ Rhino Oven](#)
- [↓ Sketchup Oven](#)
- [↓ User Guide](#)

**Where applicable:**

All appliances use energy, and energy usage typically generates carbon emissions. **Fisher & Paykel Appliances' In-use Energy Carbon Emissions Estimate** indicates carbon emissions from a product's in-use energy. This is calculated either annually or per cycle, using the product's market-specific energy label energy consumption data multiplied by the carbon emissions factor for energy in your country or region.

Our In-use Energy Carbon Emissions Estimate is designed to assist customers in making informed purchasing decisions when comparing different Fisher & Paykel products. For example, a heat pump dryer typically has a lower In-use Energy Carbon Emissions Estimate than a vented dryer.



**A PEACE OF MIND SALE**  
**24 Hours 7 Days a Week Customer Support**  
 T 1300 650 590 [Wwww.fisherpaykel.com](http://www.fisherpaykel.com)

Other product downloads available at [fisherpaykel.com](http://fisherpaykel.com)