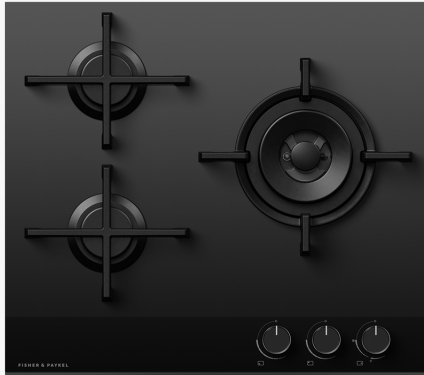


60cm Series 9 3 Burner Gas Hob, Natural Gas

Series 9 | Minimal

Black Glass | Natural Gas



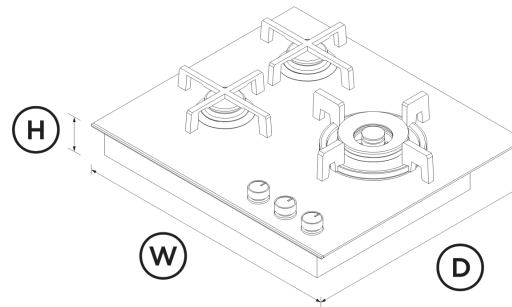
A powerful three-burner with precise control and performance. Designed to pair with other Minimal style kitchen appliances for a cohesive, considered kitchen.

- Three burners include a dual flame wok burner and two semi-rapid burners
- Minimal style with elegant black trim and black ceramic glass cook zones
- Flame-failure safety device automatically turns off the gas if the flame goes out

- Easy to clean with removable trivets and wipeable ceramic glass

DIMENSIONS

Height	124 mm
Width	600 mm
Depth	530 mm



FEATURES & BENEFITS

Complementary Design

The subtle black glass, anodised trim, and black dials blend elegance with durability, designed to match our Minimal style Series 9 ovens. Featuring premium styling and detailing, this hob seamlessly integrates with other appliances, for a cohesive and considered kitchen design.

Precise Control

The dual flame wok burner ensures consistent flame and heat distribution, while the highly responsive dials allow for precise heat adjustment. This combination is perfect for achieving a slow simmer for sauces or an intense heat for searing steaks.

Easy Cleaning

Cleaning and care of these hobs is easy with sealed burners and a single sheet cooking surface. After each use, simply remove the trivets and wipe down the glass.

Quality Materials

Featuring cast iron trivets, anodised metal dials, and high-temperature resistant ceramic glass, our hobs are built with the finest materials for optimal performance.

Safe & Sound

The flame failure safety device automatically turns off the gas if the flame is accidentally extinguished.

Crafted For Durability

Our hobs are built from recyclable, eco-friendly ceramic glass, avoiding the use of arsenic or heavy metals in the manufacturing process. The glass edges are chip-tested for resistance to damage from pots and pans, ensuring lasting quality.

SPECIFICATIONS

Accessories (included)

- | | |
|------------------------|-------------|
| High power wok cooking | • |
| Small pan support | • |
| Wok stand | true |

Accessories (sold separately)

Joiner kit	Part 534731 (required to join two cooktops)
Stainless steel dial kit	82223 Part 536498
Burner ratings	
Dual wok burner power	5kW
Semi-rapid burner power	2.3kW
Burners	
Number of burners	3
Cleaning	
Easy clean cooktop design	•
Quick component removal	•
Controls	
Dual wok control	•
Dual wok feature for simmering	•
Ergonomic control dials	•
Toughened fused glass graphics	•
Performance	
Both LPG & NG models available	•
Cast iron trivets	•
Electronic ignition	•

Quick connect gas valves	•
Power requirements	
Supply voltage	230 - 240 V
Product dimensions	
Depth	530 mm
Height	124 mm
Width	600 mm
Safety	
Flame failure system	•
Warranty	
Parts and labour	5 years
Zones	
Number of zones	3
SKU	82039

The product dimensions and specifications in this page apply to the specific product and model. Under our policy of continuous improvement, these dimensions and specifications may change at any time. You should therefore check with Fisher & Paykel's Customer Care Centre to ensure this page correctly describes the model currently available. © Fisher & Paykel Appliances Ltd 2020

Other product downloads available at fisherpaykel.com

- [↓](#) 2D-DWG Black Gas Cooktop
- [↓](#) 2D-DXF Black Gas Cooktop
- [↓](#) Declaration of Conformity
- [↓](#) Service & Warranty
- [↓](#) Installation Guide Black Gas Cooktop
- [↓](#) Revit Gas Cooktop
- [↓](#) Rhino Gas Cooktop
- [↓](#) Sketchup Gas Cooktop
- [↓](#) User Guide Gas on Glass Cooktop

Where applicable:

All appliances use energy, and energy usage typically generates carbon emissions. **Fisher & Paykel Appliances' In-use Energy Carbon Emissions Estimate** indicates carbon emissions from a product's in-use energy. This is calculated either annually or per cycle, using the product's market-specific energy label energy consumption data multiplied by the carbon emissions factor for energy in your country or region.

Our In-use Energy Carbon Emissions Estimate is designed to assist customers in making informed purchasing decisions when comparing different Fisher & Paykel products. For example, a heat pump dryer typically has a lower In-use Energy Carbon Emissions Estimate than a vented dryer.



A PEACE OF MIND SALE

24 Hours 7 Days a Week Customer Support

T 08000 886 605 [Wwww.fisherpaykel.com](http://www.fisherpaykel.com)