

FISHER & PAYKEL

SPECIFICATION GUIDE

DOUBLE DISHDRAWER™ DISHWASHER, TALL, SANITIZE SERIES 7, CONTEMPORARY STYLE



OVERVIEW

Doing the dishes got easier. Load one drawer while the other washes - with the top drawer fitting your large dinner plates easily

MODELS

Double DishDrawer™ Dishwasher, Tall, Sanitize

Stainless Steel
DD24DCTX9 N

Double DishDrawer™ Dishwasher, Tall, Sanitize

Stainless Steel, Water Softner
DD24DCHTX9 N

Double DishDrawer™ Dishwasher, Tall, Sanitize

White
DD24DCTW9 N

Double DishDrawer™ Dishwasher, Tall, Sanitize

Black
DD24DCTB9 N

SERIES & STYLE

Series 7
Contemporary Style

FEATURES

- ① Six wash programs to suit any load, from Delicate to Heavy
- ② Flexible racking can be folded down to fit bigger dishes
- ③ Use both drawers independently, with the ability to select different wash programs
- ④ DishDrawer™ Dishwashers are designed to match the Fisher & Paykel family of kitchen appliances

ACCESORIES

- ① Two Cutlery basket
- ② Kickstrip

FISHER & PAYKEL

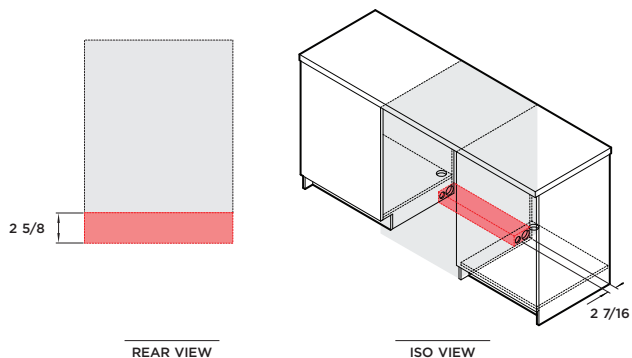
SPECIFICATION GUIDE

DOUBLE DISHDRAWER™ DISHWASHER, TALL, SANITIZE SERIES 7, CONTEMPORARY STYLE

SPECIFICATIONS

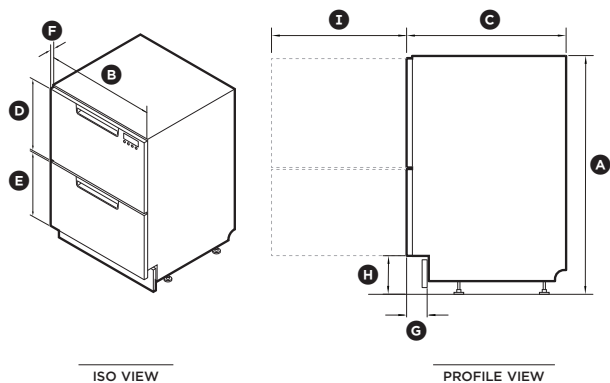
| | |
|------------|--|
| Model No. | DD24DCTX9 N, DD24DCHTX9 N, DD24DCTW9 N, DD24DCTB9 N |
| Dimensions | H 34" - 36 3/8" (864mm - 924mm) x W 23 9/16" (599mm) x D 22 9/16" (573mm) |
| Weight | |
| Electrical | |
| Supply | 110-120V, 60Hz |
| Service | 8.7A |
| Receptacle | 3 prong grounding-type |
| Plumbing | |
| Supply | Supplied hose to suit 3/8" (9mm) male compression fitting |
| Pressure | Water softener models: max. 1 MPa (145 psi), min. 0.1 MPa (14.5 psi) Non-water softener models: max. 1 MPa (145 psi), min. 0.03 MPa (4.3 psi) |

PLUMBING AND ELECTRICAL

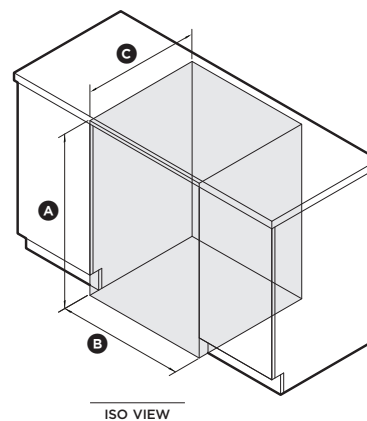


Service outlet at rear extends both sides, hoses and cords can be routed to either or both sides

PRODUCT DIMENSIONS



CAVITY DIMENSIONS: STANDARD INSTALLATION



| | in | mm |
|--|-------------|-----------|
| Ⓐ Overall height* | 34 - 36 3/8 | 864 - 924 |
| Ⓑ Overall width | 23 9/16 | 599 |
| Ⓒ Overall depth | 22 9/16 | 573 |
| Ⓓ Height of upper front panel | 17 3/16 | 437 |
| Ⓔ Height of lower front panel | 12 1/4 | 312 |
| Ⓕ Depth of front panels | 13/16 | 20 |
| Ⓖ Depth of toe kick recess | 1 1/2 - 4 | 38 - 102 |
| Ⓗ Height from floor to front panel base* | 1 1/2 - 4 | 72 - 127 |
| Ⓘ Depth of open drawer | 21 9/16 | 547 |

*Depending on adjustment of levelling feet

| | in | mm |
|-------------------|----------|---------|
| Ⓐ Overall height* | min 34 | min 864 |
| Ⓑ Overall width | 23 5/8 | 600 |
| Ⓒ Overall depth** | 22 13/16 | 580 |

*Depending on adjustment of levelling feet

**Includes front panels