

This comprehensive Planning Guide provides you with the framework and tools to achieve your desired design outcome with Fisher & Paykel appliances. In this guide, you will find a range of conceptual, detailed and dimensional product information to bring your ideas to life and create spaces that truly reflect your vision.

CONTENTS

CONCEPT DESIGN	PAGE	DEVELOPED AND DETAILED DESIGN	PAGE
Specification Guides		Data Sheet	
Oven - Black	4	Oven	8
Oven - Stainless Steel	5		
Overview	6		

The models shown in this Planning Guide may not be available in all markets and are subject to change at any time. Product specifications may vary from those shown. This Planning Guide should not be used as installation guidance for any product. Further information is required to safely and correctly install the products featured here. Specific installation guidance will be available on our website fisherpaykel.com

SPECIFICATION GUIDE



OVERVIEW

This Series 9 oven boasts a generous 100L capacity and comes in a stylish black or stainless steel finish. It includes nine pre-set functions, such as Bake and Rotisserie, with AeroTech™ technology ensuring even heat distribution. Designed for versatile cooking with four shelf positions, it features a pyrolytic self-cleaning function for effortless maintenance.

PRODUCTS

OB90S9MEPB1

Oven, 90cm, 9 Function, Self-cleaning

SERIES & STYLE

Series 9
Contemporary - Black



FEATURES

- ① Premium handle styling and sleek black finish
- ② Built-in professional grade rotisserie, ideal for succulent roasts
- ③ Nine functions with pre-set temperatures include Bake, Pastry Bake, and Fan Forced
- ④ Designed for side-by-side and multi-shelf cooking, with four shelf positions
- ⑤ Generous 100L total capacity with a wide cavity
- ⑥ AeroTech™ technology for even heat circulation
- ⑦ Pyrolytic self-cleaning function breaks down food residue for an easy clean

ACCESSORIES

- ① Rotisserie Set
- ② Step Down Wire Shelf
- ③ Telescopic Sliding Runners
- ④ Grill Rack
- ⑤ Baking Tray
- ⑥ Roasting Dish

The models shown in this Planning Guide may not be available in all markets and are subject to change at any time. Product specifications may vary from those shown. This Planning Guide should not be used as installation guidance for any product. Further information is required to safely and correctly install the products featured here. Specific installation guidance will be available on our website fisherpaykel.com



OVERVIEW

This Series 9 oven boasts a generous 100L capacity and comes in a stylish black or stainless steel finish. It includes nine pre-set functions, such as Bake and Rotisserie, with AeroTech™ technology ensuring even heat distribution. Designed for versatile cooking with four shelf positions, it features a pyrolytic self-cleaning function for effortless maintenance.

PRODUCTS

OB90S9MEPX4

Oven, 90cm, 9 Function, Self-cleaning

SERIES & STYLE

Series 9
Contemporary - Stainless Steel

FEATURES

- ① Premium handle styling and stylish stainless steel finish
- ② Built-in professional grade rotisserie, ideal for succulent roasts
- ③ Nine functions with pre-set temperatures include Bake, Pastry Bake, and Fan Forced
- ④ Designed for side-by-side and multi-shelf cooking, with four shelf positions
- ⑤ Generous 100L total capacity with a wide cavity
- ⑥ AeroTech™ technology for even heat circulation
- ⑦ Pyrolytic self-cleaning function breaks down food residue for an easy clean

ACCESSORIES

- ① Rotisserie Set
- ② Step Down Wire Shelf
- ③ Telescopic Sliding Runners
- ④ Grill Rack
- ⑤ Baking Tray
- ⑥ Roasting Dish

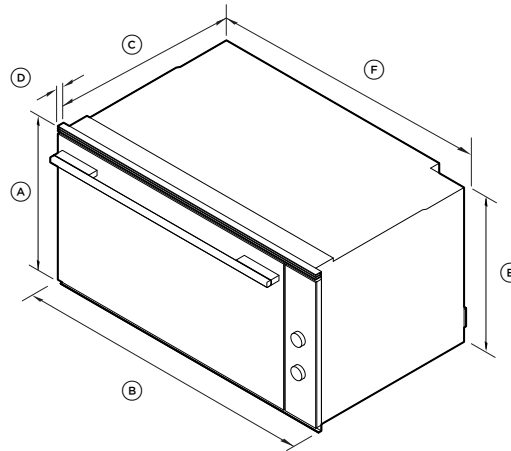


The models shown in this Planning Guide may not be available in all markets and are subject to change at any time. Product specifications may vary from those shown. This Planning Guide should not be used as installation guidance for any product. Further information is required to safely and correctly install the products featured here. Specific installation guidance will be available on our website fisherpaykel.com

SPECIFICATIONS

Model No.	OB90S9MEPB1, OB90S9MEPX4
Dimensions	H 478mm W 895mm D 564mm
Total Oven Capacity	100L
Weight	
Packaged	71kg
Unpackaged	56kg
Electrical	
Supply	220-240 V, 50 Hz
Service	21 A

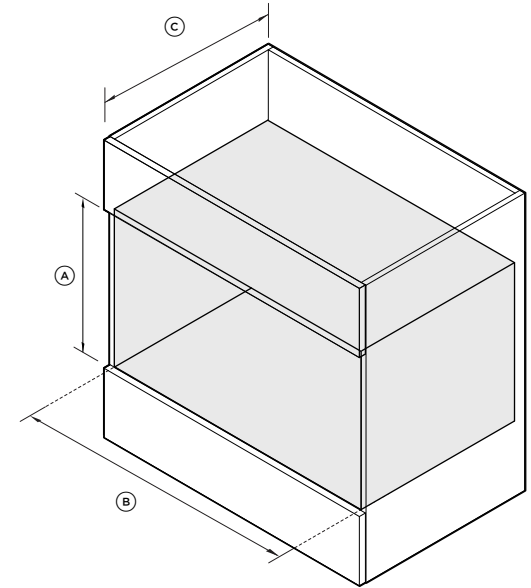
PRODUCT DIMENSIONS



ISO VIEW

	mm
(A) Overall height	478
(B) Overall width	895
(C) Depth of chassis	544
(D) Thickness of oven control panel (excl. handle and dials)	20
(E) Height of chassis	468
(F) Width of chassis	853
Depth of oven door when fully open (measured from front of control panel)	418

CAVITY DIMENSIONS: STANDARD INSTALLATION

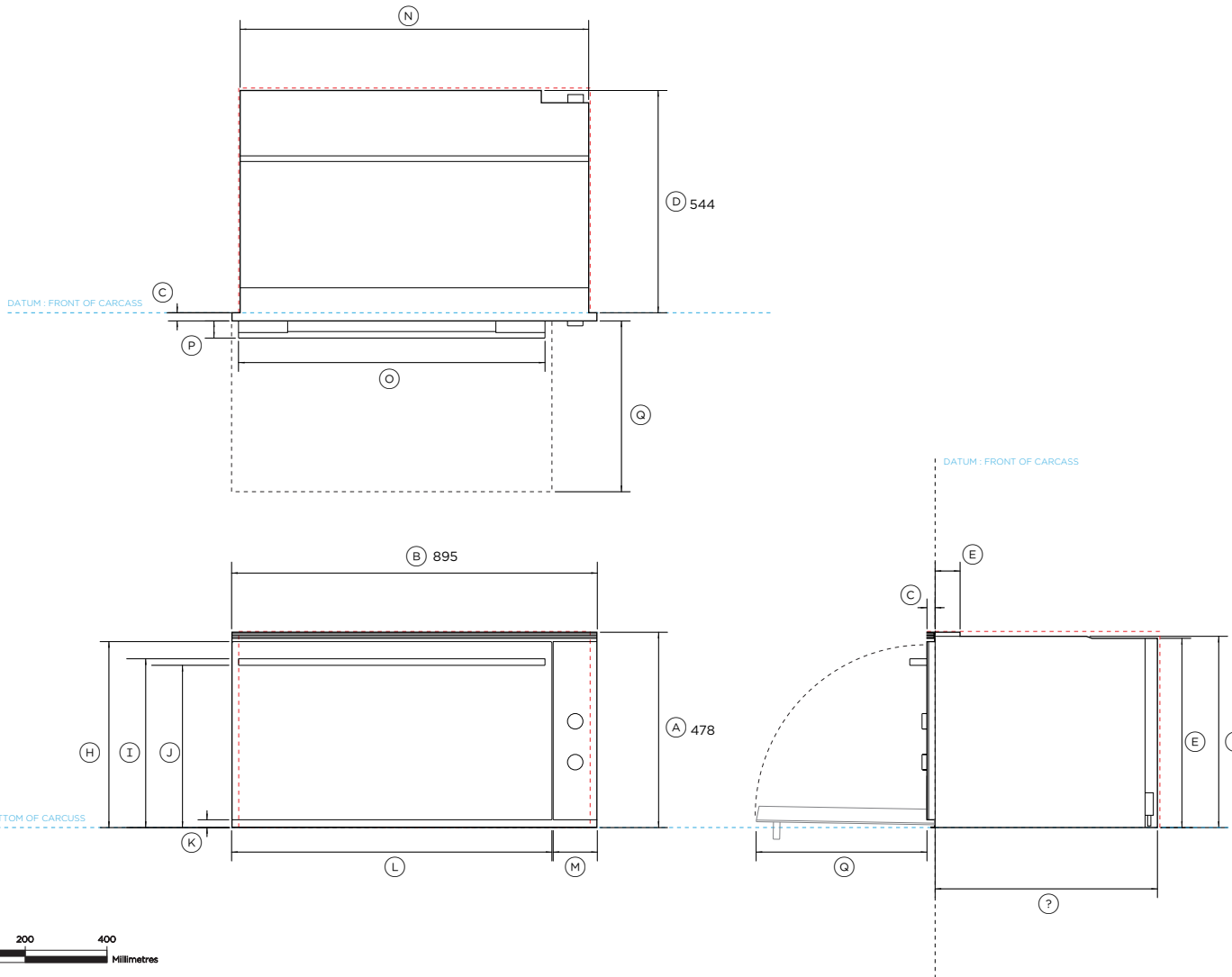


ISO VIEW

	mm
(A) Minimum inside height of cavity	480
(B) Minimum inside width of cavity	860
(C) Minimum inside depth of cavity	550

The models shown in this Planning Guide may not be available in all markets and are subject to change at any time. Product specifications may vary from those shown. This Planning Guide should not be used as installation guidance for any product. Further information is required to safely and correctly install the products featured here. Specific installation guidance will be available on our website fisherpaykel.com

DATA SHEET



Model no:

Oven, 90cm - OB90S9MEPB1, OB90S9MEPX4

Product Dimensions	mm
A Overall height of product*	478
B Overall width of product	895
C Depth of control panel	20
D Depth of chassis	544
E Depth of top chassis step from front datum	61
F Height of chassis	468
G Height of chassis at the rear	463
H Height from bottom datum to top of door	455
I Height from bottom datum to top of handle	413
J Height from bottom datum to bottom of handle	397
K Height from bottom datum to top of vent	19
L Width of door	782
M Width of control panel	106
N Overall width of chassis	853
O Width of handle	750
P Depth of handle (measured from front of door)	42
Q Depth of oven door when fully open (measured from front of control panel)	418

*All height measurements include mounted feet

Minimum Clearances	mm
Minimum inside height of cavity	480
Minimum inside width of cavity	860
Minimum inside depth of cavity	550

IMPORTANT NOTE: For full installation and clearance details please refer to our installation manual.

INDICATES CABINETRY / PRODUCT DATUM (indicated by blue dashed lines)

INDICATES CABINETRY CLEARANCES (indicated by red dashed lines)

IMPORTANT NOTE: Throughout this guide, dimensions may vary by ±2mm (1/16"). Please read the Installation Guide for detailed information on installing the product. For full installation instructions visit fisherpaykel.com

