

Gas Range, 30", 4 Burners

Series 7 | Classic

Stainless Steel



Create a striking classic kitchen. Your freestanding range has a spacious oven capacity and four gas burners for precise control.

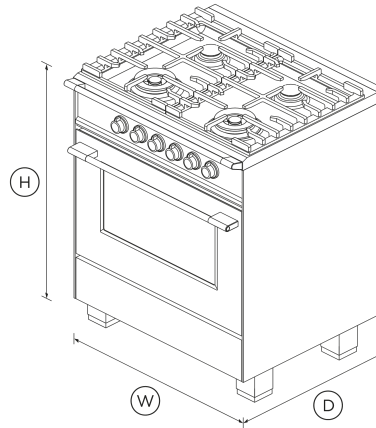
- Four burner gas cooktop with two dual wok burners
- Gas oven with 3.5 cu ft total capacity
- Three oven functions: Bake, Convection Bake and Maxi Broil

DIMENSIONS

Height 35 3/4 - 37 5/8 "

Width 29 7/8 "

Depth 25 1/4 "



FEATURES & BENEFITS

Design Quality

This range has been carefully crafted in every detail from performance to durability using quality materials including the balanced soft-close door and rounded hob rail.

Large Capacity Oven

The generous 3.5 cu.ft total capacity oven gives you plenty of space to cook multiple dishes at once, with enough room to fit a 26 lb turkey.

Performance power

Precise cooktop controls let you sear or stir fry over instant, powerful heat. Use the high burner power or simmer a delicate sauce using the gentlest of heats.

Easy Cleaning

With its durable surface, your cooktop simply needs a quick wipe after cooking to keep it looking good as new for years to come.

SPECIFICATIONS

Accessories (included)

2-pc grill system (Broil pan and Grill rack)	•
Broil pan	•
Chromed shelf runners	1 set
Full extension telescopic shelves	2 sets (part 578776)
Small pot support	1 (part 533981 cast)

Accessories (sold separately)

Hob rear trim	3 1/8" (part 81657)
Kick strip, stainless steel (optional)	KICKOR90X1

Burner ratings

Dual wok burner inner/outer (LPG)	1000 - 18000BTU
Dual wok burner inner/outer (natural gas)	1000 - 18000BTU
Maximum burner power	18000 BTU
Semi-rapid burner (LPG)	1500 - 7600BTU
Semi-rapid burner (natural gas)	1500 - 8000BTU
Total cooktop power	52000 BTU

Cleaning

- Acid resistant graphite enamel
- Removable oven door
- Removable shelf runners

- Bake power **14000 BTU**
- Broil **11000 BTU**
- CoolTouch door **Triple glazed**

- Full extension telescopic sliding shelves
- Non-tip shelves
- Spill containment **45.42 L**
- Spill containment **1/2 gallon**

Controls

- Laser etched graphics

Power Requirements

- Amperage **15 A**
- Supply frequency **60 Hz**

SKU 81712

Gas Requirements

- Supply Pressure (LPG) **11" W.C.P**
- Supply Pressure (natural gas) **4" W.C.P**

Product Dimensions

- Depth **25 1/4 "**
- Height **35 3/4 - 37 5/8 "**
- Width **29 7/8 "**

The product dimensions and specifications in this page apply to the specific product and model. Under our policy of continuous improvement, these dimensions and specifications may change at any time. You should therefore check with Fisher & Paykel's Customer Care Centre to ensure this page correctly describes the model currently available. © Fisher & Paykel Appliances Ltd 2020

Oven features

- Auto re-ignition system
- Concealed element
- Convection
- Electronic ignition
- Full extension telescopic sliding shelves
- Internal light **2 x 25W halogen (rear)**
- Soft open/close door
- Storage drawer

Rangetop features

- Hob rail
- LPG / Natural Gas compatible
- Sealed range top

Other product downloads available at fisherpaykel.com

- [↓](#) 2D-DWG Gas Range
- [↓](#) 2D-DXF Gas Range
- [↓](#) Data Sheet Gas Range
- [↓](#) Service & Warranty
- [↓](#) Installation Guide EN
- [↓](#) Guide d'installation FR
- [↓](#) Revit Gas Range
- [↓](#) Rhino Gas Range
- [↓](#) Sketchup Gas Range
- [↓](#) User Guide Freestanding Range EN

Rangetop Performance

- Number of burners **4**

Oven functions

- Convection bake
- Number of functions **3**

Safety

- ADA compliant
- Advanced cooling system
- Anti-tilt bracket
- Balanced oven door

Where applicable:

All appliances use energy, and energy usage typically generates carbon emissions. **Fisher & Paykel Appliances' In-use Energy Carbon Emissions Estimate** indicates carbon emissions from a product's in-use energy. This is calculated either annually or per cycle, using the product's market-specific energy label energy consumption data multiplied by the carbon emissions factor for energy in your country or region.

Our In-use Energy Carbon Emissions Estimate is designed to assist customers in making informed purchasing decisions when comparing different Fisher & Paykel products. For example, a heat pump dryer typically has a lower In-use Energy Carbon Emissions Estimate than a vented dryer.



A PEACE OF MIND SALE
24 Hours 7 Days a Week Customer Support
T 1.888.936.7872 W www.fisherpaykel.com