

24" Series 9 Minimal Compact Combi-Steam Oven

Series 9 | Minimal

Black



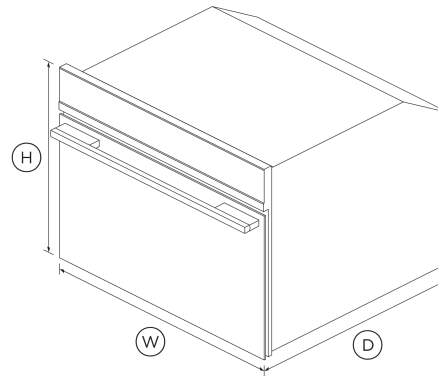
Get more flexibility in the kitchen with both convection cooking and steam cooking, which reduces the need for oils and fats.

- Cooking flexibility with nine oven functions, including five Steam functions, Broil and Convection
- Steam cooking allows you to cook a food in its own juices, to retain nutrients and flavour
- Part of our suite of companion products, designed to match aesthetically for flexible configurations

- 1.3 cu ft total capacity

DIMENSIONS

Height	18 1/16 "
Width	23 1/2 "
Depth	22 1/8 "



FEATURES & BENEFITS

Sized To Suit

This compact 24" Combination Steam Oven can be placed almost anywhere in the kitchen. Companion products share the same dimensions and can be installed in multiple configurations to suit your kitchen design and preference.

Cooking Flexibility

The Combination Steam Oven allows ingredients to retain their nutrients, moisture content and coloration. With nine oven modes, it doesn't just steam, but also has Broil and Fan functions.

Easy To Use

An easy to use, intuitive display shows the time and provides useful information about functions along with a refill alert.

Beauty Of Choice

With the choice of a stylish stainless steel or elegant black trim, our Companion products help you achieve a coherent kitchen aesthetic that suits your design style.

Easy Cleaning

Cleaning and care of the Combination Steam Oven is simple. After each use, just wipe the smooth stainless steel interior with a dry cloth.

Safe And Convenient

The CoolTouch door is safe to touch from the outside, protecting your hands and the surrounding cabinetry. The water tank slides in easily, with no plumbing required.

SPECIFICATIONS

Accessories (included)

Baking pan	1
Perforated large steam dish	1
Wire shelf	1
Wired temperature sensor	1

Accessories (sold separately)

Matching Trim Kit	TK30NDBB1
Optional lower trim kit	Part 81662

Capacity	
Shelf positions	3
Total capacity	1.3 cu ft

Cleaning	
Easy clean stainless steel interior	•
Removable water tank	•
Steam clean (oven)	•

Controls	
Audio feedback	•
Automatic cooking/minute timer	•
Celsius/Fahrenheit temperature	•
Delay start	•
Electronic capacitive touch controls	•
Electronic clock	•
Electronic oven control	•
Food probe	•
Guided cooking by food type and recipes	•
Halogen lights	•
Intuitive touchscreen display	•
Multi-language display	true

Functions	
Broil	•
Number of functions	9
Ring + broil	•
Steam + ring	•

Steam 100 (100°C / 210°F)	•
Steam 130 (130°C / 265°F)	•
Steam assist	•
Steam clean (oven)	•

Performance	
Grill power	1500 W

Power Requirements	
Amperage	15 A
Supply frequency	60 Hz
Supply voltage	208 / 240 V

Product Dimensions	
Depth	22 1/8 "
Height	18 1/16 "
Width	23 1/2 "

Safety	
ADA compliant	•
Control panel key lock	•
CoolTouch door	•
Safety thermostat	•

Warranty	
Parts and labor	2 years

SKU 81927

The product dimensions and specifications in this page apply to the specific product and model. Under our policy of continuous improvement, these dimensions and specifications may change at any time. You should therefore check with Fisher & Paykel's Customer Care Centre to ensure this page correctly describes the model currently available. © Fisher & Paykel Appliances Ltd 2020

Other product downloads available at fisherpaykel.com

- [↓](#) 2D-DWG Combination Steam Oven with 30" Trim
- [↓](#) 2D-DWG Combination Steam Oven with Bottom Trim
- [↓](#) 2D-DWG Combination Steam Oven
- [↓](#) 2D-DXF Combination Steam Oven with 30" Trim
- [↓](#) 2D-DXF Combination Steam Oven with Bottom Trim
- [↓](#) 2D-DXF Combination Steam Oven
- [↓](#) Archicad Combination Steam Oven
- [↓](#) Archicad Combination Steam Oven with 24" Trim
- [↓](#) Archicad Combination Steam Oven with 30" Trim
- [↓](#) Data Sheet Combination Steam Oven with 30" Trim
- [↓](#) Data Sheet Combination Steam Oven with Bottom Trim
- [↓](#) Data Sheet Combination Steam Oven
- [↓](#) Service & Warranty
- [↓](#) Installation Guide Companion Products EN
- [↓](#) Guide d'installation FR
- [↓](#) Installation Guide - Cavity Trim Kit
- [↓](#) Revit Combination Steam Oven
- [↓](#) Revit Combination Steam Oven with 24" Trim
- [↓](#) Revit Combination Steam Oven with 30" Trim
- [↓](#) Rhino Combination Steam Oven
- [↓](#) Rhino Combination Steam Oven with 24" Trim
- [↓](#) Rhino Combination Steam Oven with 30" Trim
- [↓](#) Sketchup Combination Steam Oven

- [↓ Sketchup Combination Steam Oven with 24" Trim](#)
- [↓ Sketchup Combination Steam Oven with 30" Trim](#)
- [↓ User Guide](#)

Where applicable:

All appliances use energy, and energy usage typically generates carbon emissions. **Fisher & Paykel Appliances' In-use Energy Carbon Emissions Estimate** indicates carbon emissions from a product's in-use energy. This is calculated either annually or per cycle, using the product's market-specific energy label energy consumption data multiplied by the carbon emissions factor for energy in your country or region.

Our In-use Energy Carbon Emissions Estimate is designed to assist customers in making informed purchasing decisions when comparing different Fisher & Paykel products. For example, a heat pump dryer typically has a lower In-use Energy Carbon Emissions Estimate than a vented dryer.



A PEACE OF MIND SALE
24 Hours 7 Days a Week Customer Support
T 1.888.936.7872 W www.fisherpaykel.com