

# 443L Series 7 French Door Refrigerator

Series 7 | Contemporary

Stainless Steel | French hinge

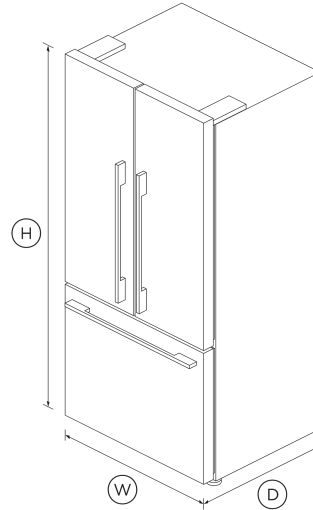


Designed for those who need plenty of flexible space for their cold and frozen food storage.

- ActiveSmart™ technology helps keep food fresher for longer by constantly maintaining the ideal temperature.
- Spacious bottom freezer with full extension drawer gives easy access to frozen goods.

## DIMENSIONS

Height	1715 mm
Width	790 mm
Depth	695 mm



## FEATURES & BENEFITS

### Activesmart™ Foodcare

Every time you open your refrigerator, the temperature around your food changes. ActiveSmart™ foodcare adjusts airflow to create a stable temperature, helping your food stay fresher for longer.

### Simple Storage

This refrigerator is designed to make it simple for you to store, access and remove food. Storage bins give you full access inside when they're pulled open and can be easily removed to clean. Our flexible shelving also gives you more storage options.

### Humidity Control

Your fruit and veges need different environments. The humidity control slides in each storage bin create a microclimate that helps keep food fresher for longer.

### Easy Cleaning

No more permanent dirty marks with our EZKleen feature for stainless steel fridges. Anti-fingerprint coating means you simply wipe clean any marks. Spill-safe secure glass shelves easily capture any drips or leaks.

### Design Quality

Our fridges are designed and built using quality materials. We use real stainless steel on our fridges and solid glass for shelving.

### Clever Energy

Your refrigerator adapts to daily use by cooling and defrosting only when needed. This means your refrigerator uses the energy it needs without compromising on food care.

### Complementary Design

With their premium handle styling and stainless steel finish, our fridges are designed to match the rest of Fisher & Paykel's kitchen appliance family.

## SPECIFICATIONS

### Capacity

Total gross capacity	519 L
Total net volume	440L
Volume freezer	105 L
Volume refrigerator	338 L

### Consumption

Energy consumption **365kWh/year**

**Features**

Adjustable door shelves	<b>6</b>
Adjustable glass shelves	<b>3</b>
Covered door shelves	<b>2</b>
Door alarm	<b>•</b>
Front levelling feet	<b>•</b>
Fruit and vegetable bins	<b>2</b>
Full extension runners	<b>•</b>
Full width door shelves	<b>2</b>
LED lighting	<b>•</b>
Rear rollers	<b>•</b>
Single bottle holders	<b>4</b>
SmartTouch control panel	<b>•</b>
Stackable bottle holders	<b>4</b>
Ultra slim water dispenser	<b>•</b>

**Freezer Features**

Bottle chill	<b>•</b>
Door alarm	<b>•</b>
Fast freeze	<b>•</b>
Ice bin and scoop	<b>•</b>
Ice trays	<b>2</b>

**Performance**

ActiveSmart™ Foodcare	<b>•</b>
Adaptive defrost	<b>•</b>

Frost free	<b>•</b>
Frost free freezer	<b>•</b>
Humidity control system	<b>•</b>
Inverter controlled compressor	<b>•</b>
R600a refrigerant	<b>•</b>
Sabbath mode	<b>•</b>

**Power requirements**

Supply voltage	<b>220 - 240 V</b>
----------------	--------------------

**Product dimensions**

Depth	<b>695 mm</b>
Height	<b>1715 mm</b>
Minimum air clearance - each side	<b>20 mm</b>
Minimum air clearance - on top	<b>50 mm</b>
Width	<b>790 mm</b>

**Warranty**

Sealed system parts only	<b>5 years</b>
--------------------------	----------------

SKU	<b>25444</b>
-----	--------------

The product dimensions and specifications in this page apply to the specific product and model. Under our policy of continuous improvement, these dimensions and specifications may change at any time. You should therefore check with Fisher & Paykel's Customer Care Centre to ensure this page correctly describes the model currently available. © Fisher & Paykel Appliances Ltd 2020

**Other product downloads available at fisherpaykel.com**

- [↓ 2D-DWG Freestanding French Door Fridge](#)
- [↓ 2D-DXF Freestanding French Door Fridge](#)
- [↓ Data Sheet Freestanding French Door Fridge](#)
- [↓ Service & Warranty](#)
- [↓ Installation Guide - Surround Kit](#)
- [↓ User Guide](#)
- [↓ User & Installation Guide ActiveSmart Refrigerator](#)
- [↓ Installation & User Guide Refrigerator](#)

**Where applicable:**

All appliances use energy, and energy usage typically generates carbon emissions. **Fisher & Paykel Appliances' In-use Energy Carbon Emissions Estimate** indicates carbon emissions from a product's in-use energy. This is calculated either annually or per cycle, using the product's market-specific energy label energy consumption data multiplied by the carbon emissions factor for energy in your country or region.

Our In-use Energy Carbon Emissions Estimate is designed to assist customers in making informed purchasing decisions when comparing different Fisher & Paykel products. For example, a heat pump dryer typically has a lower In-use Energy Carbon Emissions Estimate than a vented dryer.



**A PEACE OF MIND SALE**  
**24 Hours 7 Days a Week Customer Support**  
 T +65 6741 0777 Wwww.fisherpaykel.com