

FISHER & PAYKEL

GAS COOKTOP

CG244D, CG305D & CG365D models

SURFACE DE CUISSON

Modèles de série
CG244D, CG305D & CG365D

USER GUIDE
GUIDE D'UTILISATION

US CA

 **WARNING!**

If the information in this manual is not followed exactly, a fire or explosion may result causing property damage, personal injury or death.

Do not store or use gasoline or other flammable vapors and liquids in the vicinity of this or any other appliance.

NEVER use this appliance as a space heater to heat or warm the room. Doing so may result in carbon monoxide poisoning and overheating of the appliance.

WHAT TO DO IF YOU SMELL GAS

- Do not try to light any appliance.
- Do not touch any electrical switch.
- Do not use any phone in your building.
- Immediately call your gas supplier from a neighbor's phone. Follow the gas supplier's instructions.
- If you cannot reach your gas supplier, call the fire department.

Installation and service must be performed by a qualified installer, service agency or the gas supplier.

Safety and warnings	2
Introduction	5
Using your cooktop	6
Cooking guidelines and cookware	9
Care and cleaning	10
Troubleshooting	14
Warranty and service	17

IMPORTANT!

SAVE THESE INSTRUCTIONS

The models shown in this user guide may not be available in all markets and are subject to change at any time. For current details about model and specification availability in your country, please go to our website www.fisherpaykel.com or contact your local Fisher & Paykel dealer.

SAFETY AND WARNINGS

WARNING!



Poisoning Hazard

Never use this appliance as a space heater to heat or warm the room. Doing so may result in carbon monoxide poisoning and overheating of the appliance.

Failure to follow this advice may result in poisoning or death.

WARNING!



Hot Surface Hazard

This appliance becomes hot during use.

Do not touch the cooktop components, burners, pan supports or the stainless steel surfaces when hot.

Before cleaning, turn the burners off and make sure the whole cooktop is cool.

Failure to follow this advice may result in serious injury.

WARNING!



Fire Hazard

Never leave the appliance unattended when in use.

Boilover causes smoking and greasy spillovers that may ignite.

Failure to follow this advice may result in serious injury.

WARNING!



Explosion Hazard

Do not use or store flammable materials such as gasoline near the appliance.

Do not spray aerosols in the vicinity of this appliance while it is in operation.

Failure to follow this advice may result in injury or death.

WARNING!



Electrical Shock Hazard

Switch the power to the cooktop off at the wall before cleaning or maintenance.

Failure to follow this advice may result in electrical shock.

IMPORTANT SAFETY INSTRUCTIONS!

Operational

- Keep children away from the cooktop when it is in use.
- Household appliances are not intended to be played with by children.
- Children of less than 8 years old must be kept away from the appliance unless continuously supervised. This appliance can be used by children aged from 8 years and above, and persons with reduced physical, sensory or mental capabilities or lack of experience and knowledge, if they have been given supervision or instruction concerning the use of the appliance in a safe way and they understand the hazards involved. Cleaning and user maintenance shall not be done by children without supervision.
- If the electrical supply cord is damaged, it must only be replaced by an authorized person.
- If the appliance is connected to the gas supply with a flexible hose, make sure that the hose cannot come in contact with the bottom of the appliance or any sharp edges.
- Ensure that the electrical connection plug is accessible after installation.
- This appliance should be connected to a circuit that incorporates an isolating switch providing full disconnection from the electricity supply.
- Do not use an asbestos mat or decorative covers between the flame and the saucepan as this may cause serious damage to your cooktop.
- Do not place aluminium foil or plastic dishes on the cooktop burners.
- Do not let large saucepans, frying pans or woks push any other pans aside. This could make them unstable or deflect heat onto your countertop and damage the surface.
- Do not use a steam cleaner for cleaning this cooktop.
- Saucepan handles may be hot to touch. Ensure saucepan handles do not overhang other gas burners that are on. Keep handles out of reach of children.
- Do not stand or place heavy objects on this appliance.
- After use, ensure that the control dials are in the OFF position.
- Where this appliance is installed in marine craft or in caravans, it shall not be used as a space heater.
- The use of a gas cooking appliance results in the production of heat and moisture in the room in which it is installed. Ensure the kitchen is well ventilated. Keep natural ventilation holes open or install a mechanical ventilation device (mechanical extractor hood). Prolonged intensive use of the appliance may call for additional ventilation, for example opening of a window, or more effective ventilation, for example increasing the level of mechanical ventilation where present.
- After having unpacked the appliance, check to ensure that it is not damaged.
- In case of doubt, do not use it and consult your supplier or a professionally qualified technician.
- Packing elements (eg plastic bags, polystyrene foam, nails, packing straps, etc.) should not be left around within easy reach of children, as these may cause serious injuries.
- Do not modify this appliance.
- This appliance is to be serviced only by an authorized person.
- Some products are supplied with protective film on steel and aluminium parts. This film must be removed before using the appliance.

IMPORTANT SAFETY INSTRUCTIONS!

Operational

- **Ensure the area around the gas cooktop is always clear of combustible materials, gasoline and other flammable vapors and liquids.**
- **Do not stand on this gas appliance.**
- **For safety reasons, do not store items of interest to children above or at the back of the appliance - children climbing on the appliance to reach items could be seriously injured.**
- **When deep-frying in fat, be sure the pan is large enough to avoid boiling over from bubbling of the fat. Do not deep-fry foods with a high moisture content or food covered with frost.**
- **Do not let cooking grease or other flammable materials accumulate near the appliance.**
- **Do not repair or replace any part of the appliance unless specifically recommended in this user guide.**
- **This appliance is to be serviced only by an authorized person.**
- **The Governor of California is required to publish a list of substances known to the state of California to cause cancer or reproductive harm and requires businesses to warn customers of potential exposures to such substances.**

WARNING! Gas appliances contain or produce substances which can cause death or serious illness and which are known to the State of California to cause cancer, birth defects or other reproductive harm. To reduce the risk from substances in fuel or from fuel combustion, make sure this appliance is installed, operated, and maintained according to the manufacturer's instructions.

About your new cooktop

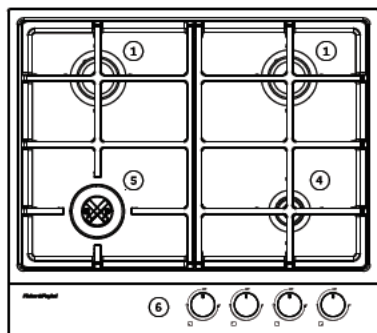
Thank you for buying a Fisher & Paykel gas cooktop. We recommend you read the whole guide before using your new cooktop, for both safety and cooking success. For more information, visit our local website listed on the back cover.

Safety feature: Auto-reignition

Auto-reignition is for your convenience and safety. The auto-reignition feature causes the ignitors to spark automatically and the burner to relight if a flame blows out or if the flame is severely distorted by a draft or a cooktop ventilation system.

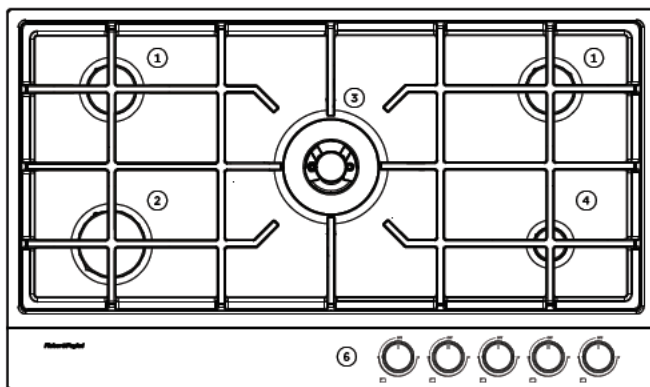
Before using the cooktop for the first time

- Read this user guide, taking special notice of the 'Safety and Warnings' section.
- Check that the pan supports are all in place and stable, and the flame spreaders, burner caps and rings are all seated correctly.
- Check that the installer has completed the 'Final checklist' in the Installation instructions.
- Ensure the power supply to the cooktop is turned on.



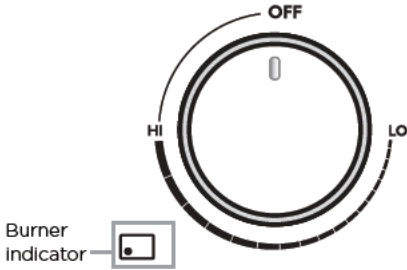
Cooktop layout - CG244D

- ① Semi-rapid burner
- ② Rapid burner
- ③ Dual wok burner
- ④ Auxiliary burner
- ⑤ Mini wok burner
- ⑥ Control dials

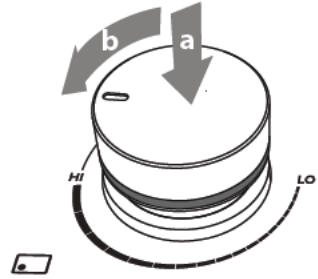


Cooktop layout - CG305D & CG365D

USING YOUR COOKTOP

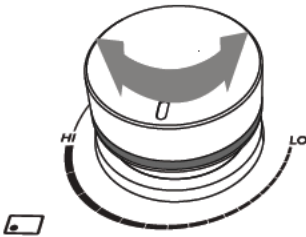


① Identify the dial of the burner you want to use.



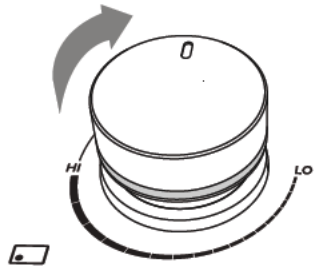
② Press down (a) then turn counter-clockwise to HI (b).

- The igniters will start clicking as they spark.
- If there is no clicking, there is no spark to light the burner. If the burner fails to light turn the dial back to OFF and see 'Troubleshooting'.



③ After the burner has lit, adjust the flame anywhere between HI and LO.

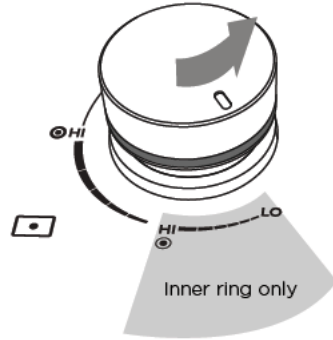
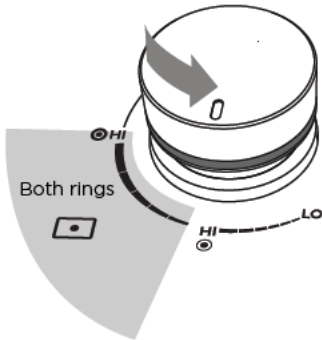
- Do not adjust or leave the dial between HI and OFF.



④ When you have finished cooking, turn the dial clockwise back to OFF.

- Check that the burner has gone out.
- Before leaving the kitchen, check that all burners have been turned off.

Adjusting the flame on the Dual wok burner



- ① Always start out on HI. Both rings of flame will be on in the shaded setting range.
 Note: when turned all the way down, the flame on the outer ring may appear to come and go. If this occurs, adjust the dial slightly back towards HI for a stable outer ring.

- ② To use the inner ring of flames only, continue turning the dial towards LO. Only the inner ring will be on in the shaded setting range.

IMPORTANT!

Turn the burner OFF and see 'Troubleshooting' for what to do next if you experience any of the following:

- There's a strong gas smell.
- The flame has been blown out by a draft or extinguished by a spill and does not re-ignite.
- There is no clicking/sparking or there is clicking/sparking, but a burner or burners won't light.
- The flames don't burn all the way around a burner, or some flames flicker.
- The flame is yellow or yellow-tipped rather than blue.
- The flames are too large, small, irregular, noisy or lift away from the burner.

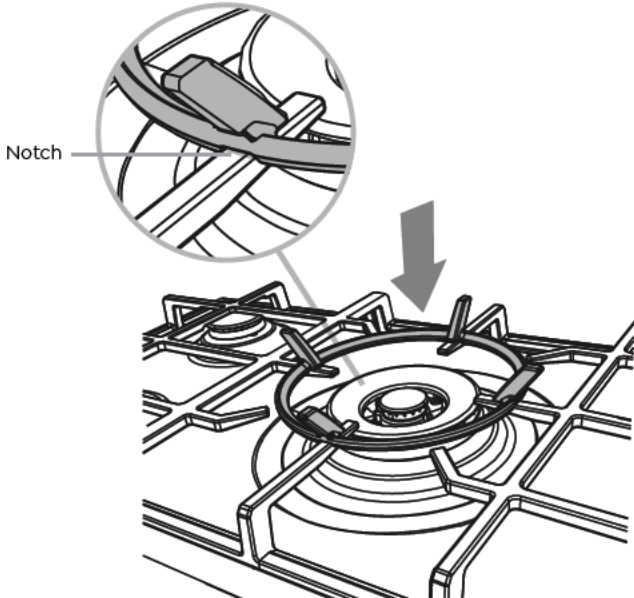
USING YOUR COOKTOP

Wok cooking

Use your wok only on the dual wok or mini-wok burner and with the supplied wok stand in place, as shown.

IMPORTANT!

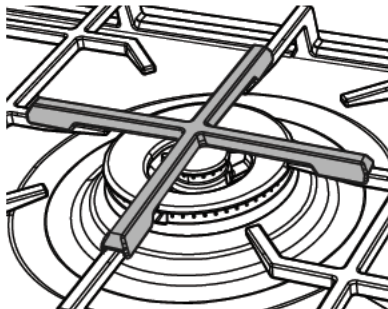
- **Make sure that the wok stand is stable: its notches need to fit tightly over the pan supports, as shown.**
- **Make sure the wok does not push any other pans aside. This could make them unstable, or deflect heat onto nearby walls or the countertop.**



CG365D Dual Wok burner Illustrated

Small pan support

Use the supplied small pan support to keep small diameter pans stable.

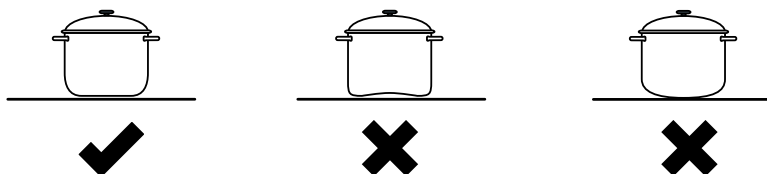


Cooking guidelines

IMPORTANT!

- **Never leave the cooktop unattended when in use. Boilover causes smoking and greasy spills that may ignite.**
- **Take care when deep-frying: oil or fat can overheat very quickly, particularly on a high setting.**
- Using a lid will reduce cooking times through retaining the heat.
- Minimise the amount of liquid to reduce cooking times.

Cookware



- Use saucepans with thick flat bases.
- Do not let large saucepans or frying pans overlap the bench, as this can deflect heat onto your countertop and damage its surface.
- Always make sure saucepans are stable by centring them over the burner.
- Make sure the size of the pan matches the size of the burner. A small pot on a large burner is not efficient. The following table shows the minimum and maximum saucepan base diameters that may be used on each burner:

BURNER		MINIMUM DIAMETER	MAXIMUM DIAMETER
Auxiliary		n/a	8 ½" (22 cm)
Semi-rapid		n/a	8 ½" (22 cm)
Rapid		n/a	8 ½" (22 cm)
Mini Wok	regular pans (without small pan support)	5 ⅞" (15 cm)	8 ½" (22 cm)
	woks (with wok stand)	n/a	14 ⅜" (36 cm)
Dual Wok	regular pans (without small pan support)	7 ⅞" (20 cm)	15 ½" (40 cm)
	woks (with wok stand)	n/a	17 ½" (45 cm)

CARE AND CLEANING

IMPORTANT!

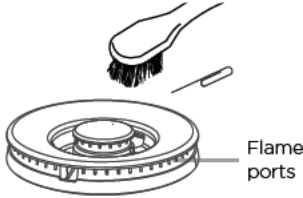
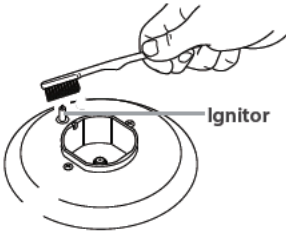
Before any cleaning or maintenance, always:

- turn all burners off.
- switch the power to the cooktop off at the wall.
- make sure that the cooktop and its parts are a safe temperature to touch.

General advice

- Clean the cooktop regularly—do not let stains become burnt on, as they may become very difficult to remove.
- Do not use abrasive cleaners, cloths or pads to clean any part of your cooktop. Some nylon scourers may also scratch. Check the label.
- Clean up spillages as soon as possible. If left to dry on, food residue may clog the flame ports, causing an uneven flame pattern.
- Make sure that no cleaner residue is left on any cooktop part; when heated, these could stain the cooktop.
- See the following pages for instructions on replacing the pan supports and reassembling the burners correctly after cleaning.
- Do not clean cooktop parts in a self-cleaning oven.
- Do not use a steam cleaner.

WHAT? HOW OFTEN?	HOW?	IMPORTANT!
Stainless steel base After every use	<ol style="list-style-type: none">① Soak any stubborn stains under a hot soapy cloth.② Wipe the soiling off with a cloth using a mild household detergent or stainless steel cleaner.③ Wipe with a clean damp cloth.④ Wipe the surface dry with a microfiber cloth.⑤ For extra shine, use a suitable stainless steel polish. <ul style="list-style-type: none">• Hard water spots can be removed with household white vinegar.	<ul style="list-style-type: none">• Do not use abrasive cleaners, steel soap pads or sharp objects on stainless steel.• Always read the label to make sure that your stainless steel cleaner does not contain chlorine compounds as these are corrosive and may damage the appearance of your cooktop.• Always rub the stainless steel in the direction of the grain.• The graphics are etched onto the steel by laser and will not rub off.
Control dials As needed	<ol style="list-style-type: none">① Wipe with a damp cloth and mild detergent. Stainless steel cleaner can be used on the top surface of the dials only.② Dry thoroughly with a soft cloth.	<p>Do not use oven cleaner on the dials, as doing so may damage their coating.</p>

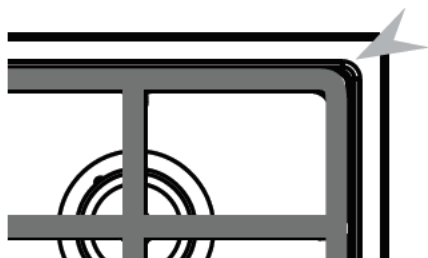
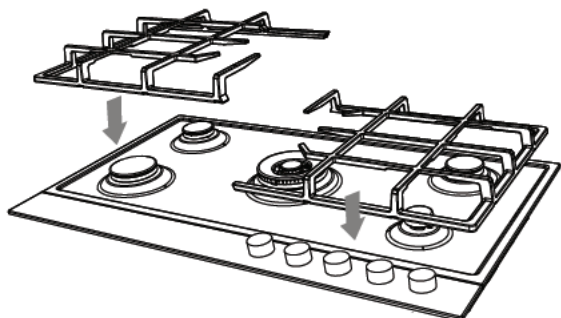
WHAT? HOW OFTEN?	HOW?	IMPORTANT!
<p>Burner caps and rings, flame spreaders, pan supports, wok stand</p> <p>As needed, but at least once a month</p>	<ol style="list-style-type: none"> ① Remove the parts that you wish to clean. See the the illustrations following this chart. ② Soak stubborn stains in a solution of biological clothes washing detergent or powdered dishwasher detergent. ③ Clean the parts in hot soapy water. Use a stiff nylon brush or straight-ended paper clip to clear the flame ports.  <ol style="list-style-type: none"> ④ Rinse in warm water. ⑤ Dry thoroughly. ⑥ Replace the parts correctly, as shown in the drawings following this chart. 	<ul style="list-style-type: none"> • Make sure you keep the flame ports clear. Soiling from food spillage may clog these and cause ignition problems or uneven flame patterns. • Remove stains left by food or spillovers as soon as possible. If left to burn on, they may be difficult to remove or even permanently discolor these parts. • Before replacing the burner parts, make sure that they are completely dry. Wet burner parts may result in an irregular flame. • Before lighting a burner you have reassembled, check that all of its parts have been positioned correctly. Incorrect assembly can cause dangerous irregular flames and ignition problems.
<p>Ignitor</p> <p>At least once a month</p>	<p>Clean these very carefully using a toothbrush dipped into denatured alcohol.</p> 	<p>A clean ignitor ensures trouble-free sparking. Check the ignitor regularly to make sure it is clean.</p>
<p>All gas components of the cooktop</p> <p>Once every 3-4 years</p>	<ul style="list-style-type: none"> • Contact your local Authorized Repairer to perform a thorough check on all gas components of the cooktop. • For Authorized Repairer details, see your Service & warranty book or contact Customer Care. 	<ul style="list-style-type: none"> • All checking and maintenance must be performed by a suitably qualified person. • If the gas is connected with a flexible hose, checking should include inspecting the entire length of the flexible hose assembly for any sign of wear or damage.

CARE AND CLEANING

Replacing the pan supports correctly

CG365D & CG305D models

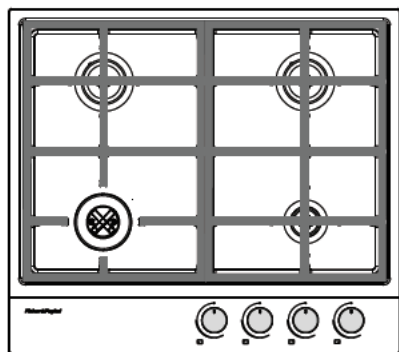
The two pan supports are interchangeable. Fit them as shown and so that the **rounded corners** are to the outside, matching the cooktop base.



Correct positioning of pan supports

CG244D models

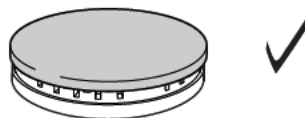
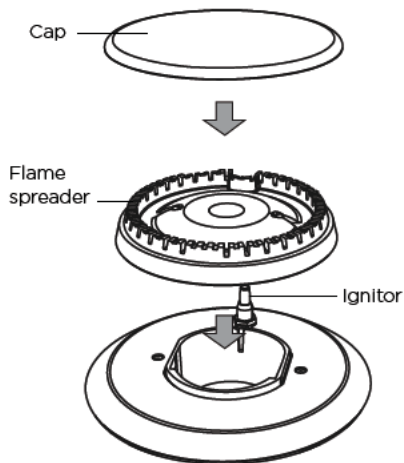
The pan supports can only be placed as shown and need to be rotated to match the **rounded corners** of the cooktop base and the opening fits over the mini-wok burner.



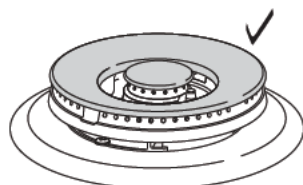
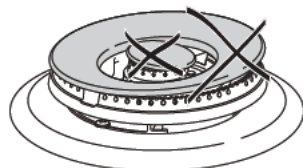
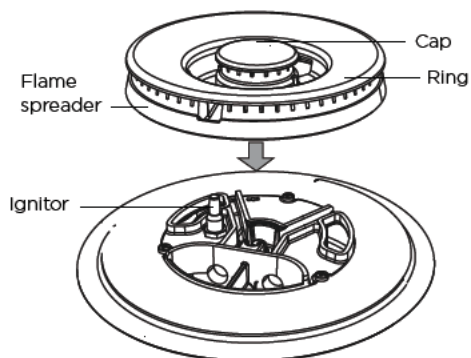
Correct positioning of pan supports (CG244D models)

Replacing the burner parts correctly

Semi-rapid, rapid, and auxiliary burners



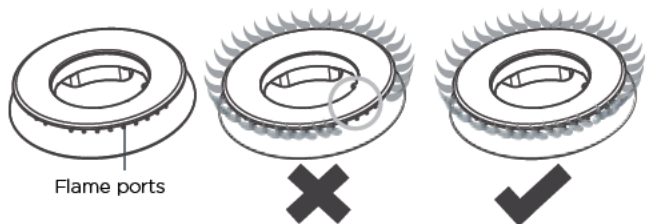
Dual Wok and Mini wok burners



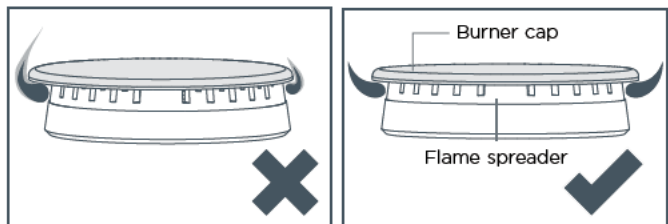
TROUBLESHOOTING

PROBLEM	POSSIBLE CAUSES AND SOLUTIONS
There is a strong gas smell.	<p>The gas connection could be leaking because of incorrect installation or damaged piping</p> <p>IMPORTANT! Do not use any electrical equipment or operate any electrical switches.</p> <ol style="list-style-type: none">① If any burners are on, turn all of them off immediately.② If you know how to shut off the gas supply to your cooktop (either at the valve or the gas bottle), do so.③ Open a window to let the gas out.④ Contact your local Authorized Repairer as soon as possible. <p>IMPORTANT! Do not use the cooktop until it has been repaired.</p>
There is a slight rubbery or metallic smell when I use the cooktop for the first time.	<p>This is normal for first use and is caused by manufacturing residues burning off. The smell will disappear with use.</p>
There is a power failure.	<p>You can still use your cooktop, but will need to match-light the burner(s). To do so, press down and turn the dial counter-clockwise to High while holding a lighted match close to the side of the burner. Wait until the flame is burning evenly before adjusting it.</p>
There is no clicking/sparking.	<p>There is a power failure. See entry 'There is a power failure' above.</p>
There is clicking/sparking, but a burner or burners won't light easily or at all.	<p>The ignitor(s) may be dirty or wet. Clean them following the instructions in 'Care and cleaning'.</p> <p>Wait 1 minute, then try to relighting the burner again, holding the dial for a few more seconds this time around. If this doesn't work and the burner still won't light, see the other possible causes and solutions below.</p> <p>The gas supply may not be turned on at the valve or gas bottle. Turn all the burners off, and check whether the gas supply to the cooktop is turned on.</p> <p>The gas supply to the house may not be working. You should hear the gas when you turn a burner on.</p> <p>If you use bottled gas, this may indicate you are getting near the end of the bottle and need to replace it.</p> <p>Burner parts may be clogged or wet. Make sure that they are clean and dry. See 'Care and cleaning' for instructions.</p> <p>Burner parts may not have been replaced correctly. Check the assembly and make sure the burner cap is sitting flat. See 'Care and cleaning' for illustrations.</p>

PROBLEM	POSSIBLE CAUSES AND SOLUTIONS
The flame has been blown out by a draft or extinguished by a spill.	The auto-reignition feature will recognise this. The ignitors will spark and attempt to relight the burner. If the burner fails to relight, turn the burner off, then wait for at least 1 minute before attempting to relight. This is to allow for any small amount of gas that may have escaped to disperse.
The flame goes out at low settings.	The gas supply pressure may be low. Check this with your service person or installer. If you use bottled gas, this may indicate you are getting near the end of the bottle
The flames are yellow or yellow-tipped rather than blue.	Burner parts (especially the flame ports) may be clogged or wet. Check that they are clean and dry. The cooktop may have been connected to the wrong type of gas or the gas pressure is not correct. Contact Customer Care and do not use your cooktop until it has been checked by a qualified technician.
The flame pattern is uneven around the burner.	Burner parts (especially the flame ports) may be clogged or wet. Check that they are clean and dry. See 'Care and cleaning' for instructions and illustrations on clearing clogged flame ports. After cleaning, check that there is flame coming out of each port.



Burner parts may not have been replaced correctly. Check the assembly and make sure the burner cap and/or ring is sitting flat on the flame spreader. See 'Care and cleaning' for illustrations.



TROUBLESHOOTING

PROBLEM

The flames are too large, or too small.

The flames are noisy.

The flames lift away from the burner.

POSSIBLE CAUSES AND SOLUTIONS

The cooktop may have been connected to the wrong type of gas. Contact Customer Care and do not use your cooktop until it has been checked by a qualified technician.

Before you call for service or assistance ...

Check the things you can do yourself. Refer to the installation instructions and your user guide and check that:

- ① Your product is correctly installed.
- ② You are familiar with its normal operation.

If after checking these points you still need assistance or parts, please refer to the Service & Warranty book for warranty details and your nearest Authorized Service Centre, Customer Care, or contact us through our website www.fisherpaykel.com.

Contact details

A Service Summary is attached to the underside of the product.
For replacement parts or if further help is needed concerning this appliance call:

Toll Free 1 888 9 FNP USA (1 888 936 7872)

or write to:

Fisher & Paykel Appliances Inc.
5900 Skylab Road
Huntington Beach, CA 92647
USA

or contact us through our web site www.fisherpaykel.com

Complete and keep for safe reference:

Model	_____
Serial No.	_____
Purchase Date	_____
Purchaser	_____
Dealer	_____
Suburb	_____
Town	_____
Country	_____



MISE EN GARDE!

Le fait de ne pas suivre toutes les instructions de ce manuel peut provoquer un incendie ou une explosion causant des dommages matériels, des blessures ou la mort.

Ne rangez et n'utilisez pas de l'essence ou d'autres liquides et vapeurs inflammables à proximité de cet appareil ou de tout autre appareil.

N'utilisez JAMAIS cet appareil comme appareil de chauffage dans une pièce. Il pourrait causer un empoisonnement au monoxyde de carbone et surchauffer.

QUE FAIRE SI VOUS DÉCELEZ UNE ODEUR DE GAZ

- **Ne tentez d'allumer aucun appareil.**
- **Ne touchez à aucun interrupteur électrique.**
- **N'utilisez aucun téléphone dans l'édifice.**
- **Appelez immédiatement votre fournisseur de gaz en utilisant le téléphone d'un voisin. Suivez les consignes du fournisseur de gaz.**
- **S'il vous est impossible de joindre votre fournisseur de gaz, appelez le service d'incendie.**

L'installation et l'entretien doivent être effectués par un installateur ou un technicien qualifié, ou par un employé de votre fournisseur de gaz.

Consignes de sécurité et mises en garde	20
Introduction	23
Utilisation de votre surface de cuisson	24
Recommandations pour la cuisson et ustensiles de cuisson	27
Entretien et nettoyage	28
Dépannage	32
Garantie et réparation	35

IMPORTANT!**CONSERVEZ CES INSTRUCTIONS**

Les modèles illustrés dans ce document pourraient ne pas être offerts par tous les détaillants et sont sujets à modifications sans préavis. Pour les plus récentes informations sur la disponibilité des modèles et des caractéristiques dans votre pays, veuillez visiter notre site Web www.fisherpaykel.com ou contacter votre détaillant Fisher & Paykel.

⚠ MISE EN GARDE!



Risque d'empoisonnement

N'utilisez jamais cet appareil comme appareil de chauffage dans une pièce. Il pourrait causer un empoisonnement au monoxyde de carbone et surchauffer.

Le non-respect de cette consigne peut entraîner un empoisonnement ou la mort.

⚠ MISE EN GARDE!



Risque de surface brûlante

Cet appareil devient chaud pendant l'utilisation.

Ne touchez pas aux composants de la surface de cuisson, aux pièces d'appui, aux surfaces en acier inoxydable ou aux brûleurs lorsqu'ils sont chauds.

Avant le nettoyage, éteignez les brûleurs et assurez-vous que la totalité de la surface de cuisson ne dégage aucune chaleur.

Le non-respect de cette consigne peut entraîner des blessures graves.

⚠ MISE EN GARDE!



Risque d'incendie

Ne laissez jamais l'appareil sans surveillance pendant l'utilisation.

Les débordements produisent de la fumée

et des déversements de matières grasses qui peuvent s'enflammer.

Le non-respect de cette consigne peut entraîner des blessures graves.

⚠ MISE EN GARDE!



Risque d'explosion

Ne rangez et n'utilisez pas de matières inflammables telles que de l'essence à proximité de cet appareil.

Ne vaporisez pas de produits en aérosol à proximité de cet appareil pendant qu'il fonctionne.

Le non-respect de cette consigne peut entraîner des blessures graves ou la mort.

⚠ MISE EN GARDE!



Risque de choc électrique

Interrompez l'alimentation électrique de l'appareil à la prise de courant avant de procéder au nettoyage ou à l'entretien.

Le non-respect de cette consigne peut entraîner un choc électrique ou la mort.

CONSIGNES DE SÉCURITÉ IMPORTANTES!

Fonctionnement

- Tenez les enfants à l'écart de la surface de cuisson pendant son utilisation.
- Les appareils électroménagers ne sont pas destinés à servir à des fins de jeux.
- Les enfants ou les personnes souffrant d'un handicap limitant leur capacité à utiliser l'appareil doivent se faire expliquer le fonctionnement par une personne responsable. L'instructeur doit s'assurer qu'ils pourront utiliser l'appareil sans aucun danger pour leur personne ou leur entourage.
- Si le câble d'alimentation est endommagé, il doit être remplacé uniquement par un technicien autorisé.
- Si l'appareil est raccordé à l'alimentation en gaz à l'aide d'un tuyau flexible, assurez-vous que le tuyau ne puisse pas entrer en contact avec la partie inférieure de l'appareil ou des rebords tranchants.
- Veillez à ce que la fiche du câble d'alimentation soit accessible après l'installation.
- Cet appareil doit être connecté à un circuit qui comporte un interrupteur de sectionnement permettant une déconnexion complète de l'alimentation électrique.
- N'utilisez pas de revêtements en amiante ou décoratifs entre la flamme et les casseroles, car cela pourrait causer de graves dommages à votre surface de cuisson.
- Ne placez pas de plats en plastique ou papier d'aluminium sur les brûleurs de la surface de cuisson.
- Assurez-vous que les casseroles, poêles à frire ou woks de grande taille ne poussent pas les autres poêles, car cela pourrait les rendre instables ou faire dévier la chaleur sur votre comptoir et endommager la surface.
- N'utilisez pas de nettoyeur à vapeur pour nettoyer cette surface de cuisson.
- Les poignées des casseroles peuvent être brûlantes au toucher. Assurez-vous de ne pas placer les poignées des casseroles au-dessus des autres brûleurs à gaz allumés. Gardez les poignées hors de la portée des enfants.
- Ne montez pas sur cet appareil et ne placez aucun objet lourd sur celui-ci.
- Après l'utilisation, assurez-vous de régler les boutons de réglage à la position 'OFF'.
- Lorsque cet appareil est installé dans des embarcations ou des caravanes, il ne doit pas être utilisé comme appareil de chauffage.
- L'utilisation d'un appareil de cuisson au gaz entraîne la production de chaleur et d'humidité dans la pièce où il est installé. Veillez à ce que la cuisine soit bien ventilée. Laissez les ouvertures de ventilation naturelle ouvertes ou installez un dispositif de ventilation mécanique (une hotte à extraction). Une utilisation intensive prolongée de l'appareil peut nécessiter une ventilation supplémentaire, p. ex. l'ouverture d'une fenêtre, ou une ventilation plus efficace, p. ex. en augmentant le niveau du dispositif de ventilation mécanique (si installé).
- Après le déballage, vérifiez l'appareil pour vous assurer qu'il n'est pas endommagé.
- En cas de doute, ne l'utilisez pas et communiquez avec votre détaillant ou un technicien professionnel qualifié.
- Gardez les éléments d'emballage (ex. : sacs en plastique, mousse de polystyrène, agrafes, courroies) hors de la portée des enfants, car ils pourraient causer des blessures graves.
- Ne modifiez pas cet appareil.

CONSIGNES DE SÉCURITÉ IMPORTANTES!

Fonctionnement

- Certains appareils sont livrés avec une pellicule protectrice sur les pièces en aluminium et en acier. Retirez cette pellicule avant d'utiliser l'appareil.
- Assurez-vous que les zones à proximité de la surface de cuisson au gaz soient toujours exemptes de substances combustibles, d'essence et d'autres liquides ou vapeurs inflammables.
- Ne montez pas sur cet appareil.
- Pour des raisons de sécurité, ne rangez pas d'articles pouvant attirer les enfants au-dessus de l'appareil ou derrière celui-ci. Les enfants pourraient se blesser sérieusement en grimpant sur l'appareil pour atteindre ces articles.
- Lors de la friture dans les matières grasses, assurez-vous d'utiliser une poêle suffisamment grande pour éviter tout débordement dû à l'ébullition des matières grasses. Ne faites pas frire les aliments très humides ou recouverts de givre.
- Ne laissez pas les graisses de cuisson ou autres matières inflammables s'accumuler à proximité de l'appareil.
- Ne réparez ou remplacez aucune pièce de cet appareil, à moins que ce ne soit spécifiquement recommandé dans le présent guide de l'utilisateur.
- Cet appareil doit être réparé uniquement par un technicien autorisé.
- Le Gouverneur de la Californie est tenu de publier une liste de substances reconnues par l'État de la Californie comme étant cancérigènes ou sources d'anomalies congénitales. Les entreprises doivent avertir les consommateurs de la possibilité d'une exposition à de telles substances.
- **MISE EN GARDE!** Les appareils fonctionnant au gaz contiennent ou produisent des substances qui peuvent causer la mort ou des maladies graves.
- Ces substances sont reconnues par l'État de la Californie comme étant cancérigènes, sources d'anomalies congénitales ou nuisibles à la reproduction. Pour minimiser les risques liés à la présence de substances dans le combustible ou la production de substances résultant de la combustion, veillez à ce que cet appareil soit installé, utilisé et entretenu en suivant les instructions du fabricant.

À propos de votre nouvelle surface de cuisson

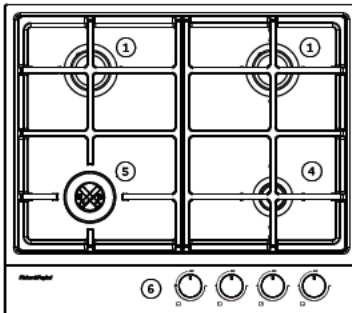
Nous vous félicitons pour l'achat de cette surface de cuisson au gaz de Fisher & Paykel. Pour assurer votre sécurité et obtenir une cuisson de qualité optimale, nous vous recommandons de lire la totalité de ce guide avant d'utiliser votre nouvelle surface de cuisson. Pour plus d'informations, visitez notre site Web local à l'adresse indiquée sur la couverture arrière.

Fonction de sécurité : Rallumage automatique

La fonction de rallumage automatique vous procure plus de commodité et de sécurité. Elle permet aux allumeurs de produire automatiquement des étincelles pour rallumer le brûleur lorsqu'une flamme s'éteint ou est fortement déformée par un courant d'air ou le système de ventilation de la surface de cuisson.

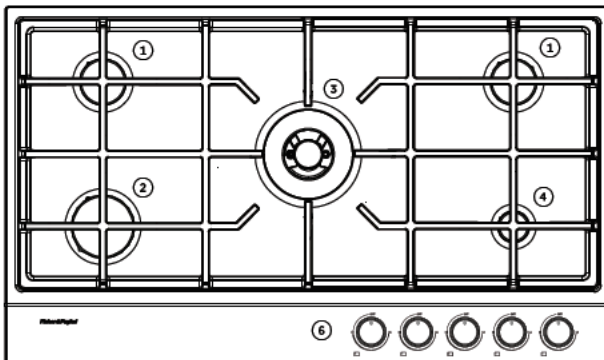
Avant d'utiliser la surface de cuisson pour la première fois

- Lisez ce guide d'utilisation en portant une attention particulière à la section 'Consignes de sécurité et mises en garde'.
- Vérifiez que les pièces d'appui sont toutes installées et stables, et que les diffuseurs de flamme, les chapeaux de brûleur et les anneaux sont tous positionnés correctement.
- Assurez-vous que l'installateur a pris le temps de remplir la 'Liste de vérification finale' dans les instructions d'installation.
- Assurez-vous que l'alimentation électrique est activée à la surface de cuisson.



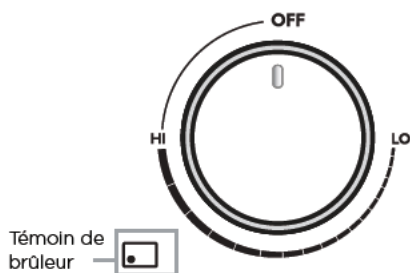
Disposition de la surface de cuisson - CG244D

- ① Brûleur semi-rapide
- ② Brûleur rapide
- ③ Brûleur double pour wok
- ④ Brûleur auxiliaire
- ⑤ Brûleur mini pour wok
- ⑥ Boutons de réglage

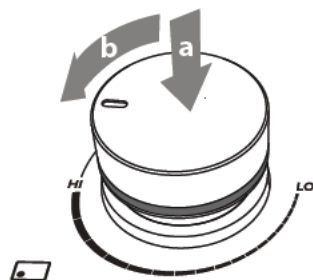


Disposition de la surface de cuisson - CG305D & CG365D

UTILISATION DE VOTRE SURFACE DE CUISSON

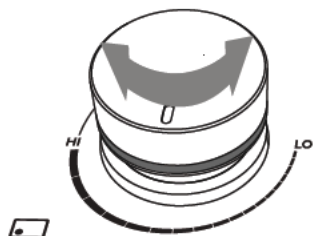


① Identifiez le bouton du brûleur que vous souhaitez utiliser.



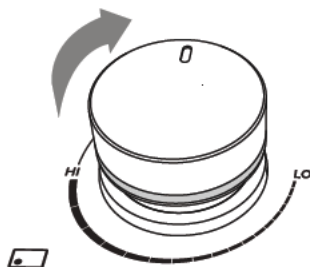
② Enfoncez le bouton (a), puis tournez-le dans le sens inverse des aiguilles d'une montre à la position HI (b).

- Les allumeurs émettent des déclics lorsqu'ils produisent des étincelles.
- Si aucun déclic n'est audible, aucune étincelle ne permettra d'allumer le brûleur. Si le brûleur ne s'allume pas, ramenez le bouton à la position OFF et consultez la section 'Dépannage'.



③ Une fois le brûleur allumé. Réglez la flamme à un niveau compris entre HI et LO.

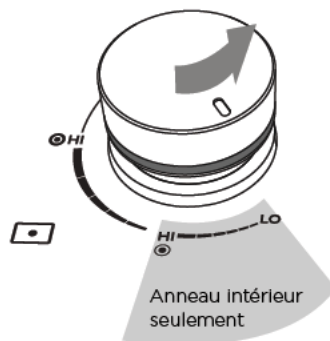
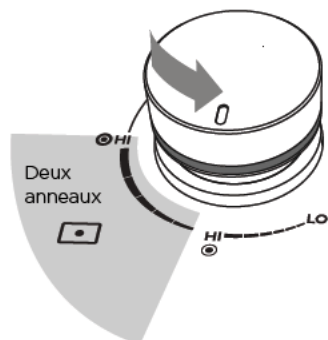
- Ne réglez ou laissez pas le bouton entre HI et OFF.



④ Lorsque la cuisson est terminée, ramenez le bouton à la position OFF.

- Vérifiez que le brûleur est éteint.
- Avant de quitter la cuisine, vérifiez que tous les brûleurs sont éteints.

Réglage de la flamme du brûleur double pour wok et brûleur mini pour wok



- ① Commencez toujours à la position HI. Les deux anneaux s'allumeront dans la plage de réglage ombragée. Remarque : lorsqu'elle est réglée au minimum, la flamme de l'anneau extérieur peut donner l'impression de s'éteindre de manière intermittente. En pareil cas, ramenez le bouton légèrement vers la position HI pour stabiliser l'anneau extérieur.
- ② Pour utiliser uniquement l'anneau intérieur, continuez de tourner le bouton vers la position LO. Seul l'anneau intérieur s'allumera dans la plage de réglage ombragée.

IMPORTANT!

Éteignez le brûleur et consultez la section 'Dépannage' pour savoir comment procéder dans les cas suivants :

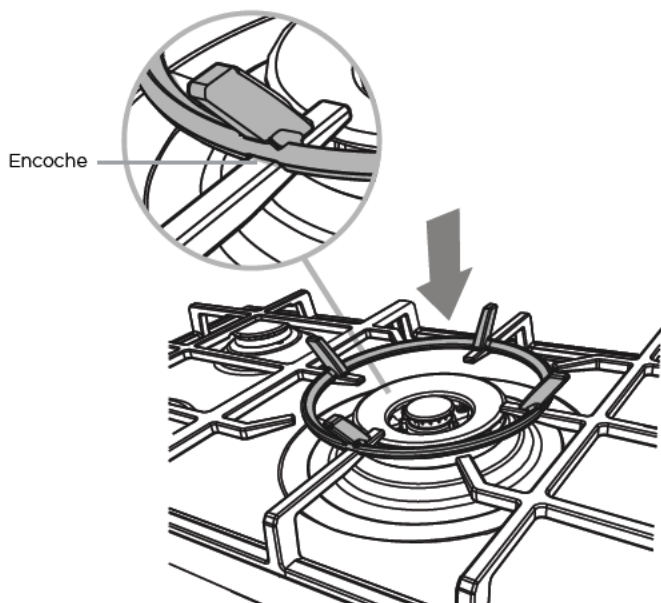
- Il y a une forte odeur de gaz.
- La flamme a été éteinte par un courant d'air ou un déversement et elle ne se rallume pas.
- Il n'y a aucun déclic/aucune étincelle ou le déclic/l'étincelle ne permet pas d'allumer un ou plusieurs brûleurs.
- Les flammes ne brûlent pas sur toute la circonférence d'un brûleur ou certaines flammes vacillent.
- La flamme est jaune plutôt que bleue ou elle présente une pointe jaunâtre.
- Les flammes sont trop grandes, petites ou irrégulières, elles produisent du bruit ou s'éloignent du brûleur.

Cuisson dans un brûleur double pour wok / brûleur mini pour wok

Utilisez votre wok uniquement sur le brûleur pour wok après avoir installé le support de wok fourni, tel qu'illustré.

IMPORTANT!

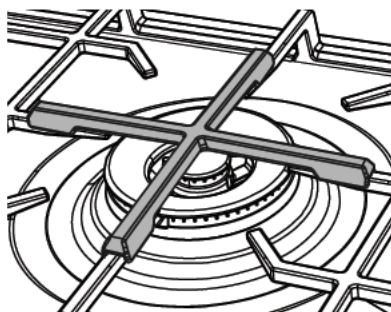
- Assurez-vous que le support de wok est stable : ses encoches doivent reposer fermement sur les pièces d'appui, tel qu'illustré.
- Assurez-vous que le wok ne pousse pas les autres poêles, car cela pourrait les rendre instables ou faire dévier la chaleur sur les murs ou le comptoir à proximité.



CG365D - Brûleur double pour wok illustré

Petite pièce d'appui

Utilisez la petite pièce d'appui fournie pour stabiliser les poêles de petit diamètre.

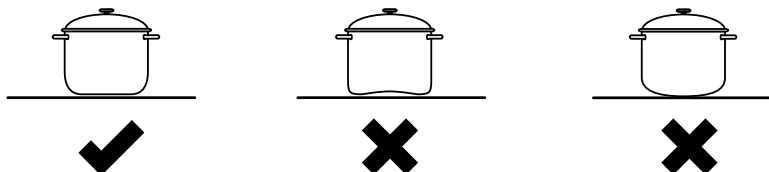


Recommandations pour la cuisson

IMPORTANT!

- Ne laissez jamais la surface de cuisson sans surveillance pendant l'utilisation. Les débordements produisent de la fumée et des déversements de matières grasses qui peuvent s'enflammer.
- Soyez prudent lors de la friture : l'huile ou le gras peut surchauffer très rapidement, plus particulièrement à un réglage élevé.
- Using a lid will reduce cooking times through retaining the heat.
- Minimise the amount of liquid to reduce cooking times.

Ustensiles de cuisson



- Utilisez des casseroles munies d'un fond plat et épais.
- Ne laissez pas les casseroles ou poêles de grande taille dépasser au-dessus du comptoir, car cela pourrait dévier la chaleur sur le comptoir et endommager sa surface.
- Assurez-vous de toujours stabiliser les casseroles en les centrant au-dessus du brûleur. Lorsque vous placez une poêle de petit diamètre sur le brûleur de wok, utilisez toujours la petite pièce d'appui fournie.
- Veillez à ce que le diamètre de la poêle corresponde à la taille du brûleur. L'utilisation d'une casserole de petite taille sur un grand brûleur ne permet pas une cuisson efficace. Le tableau suivant présente les diamètres de base de casserole minimum et maximum

BRÛLEUR		MINIMUM DIAMETER	MAXIMUM DIAMETER
Auxiliaire		n.d	8 ½ po (22 cm)
Semi-rapide		n.d	8 ½ po (22 cm)
Rapide		n.d	8 ½ po (22 cm)
Mini Wok	regular pans (without small pan support)	5 ⅞ po (15 cm)	8 ½ po (22 cm)
	woks (with wok stand)	n/a	14 ⅜ po (36 cm)
Double pour wok	poêles normales (sans petite pièce d'appui)	7 ⅞ po (20 cm)	15 ½ po (40 cm)
	woks (avec support de wok)	n.d	17 ½ po (45 cm)

IMPORTANT!


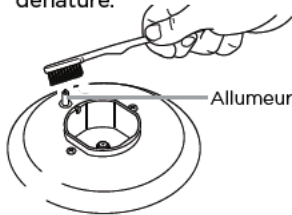
Avant de procéder au nettoyage ou à l'entretien, vous devez :

- **éteindre tous les brûleurs;**
- **interrompre l'alimentation électrique de la surface de cuisson à la prise de courant;**
- **vous assurer que la surface de cuisson et ses pièces ont suffisamment refroidi.**

Conseils généraux

- Nettoyez la surface de cuisson régulièrement - ne laissez pas brûler les taches, car elles pourraient devenir très difficiles à nettoyer.
- N'utilisez pas de produits nettoyants, chiffons ou tampons abrasifs pour nettoyer une pièce quelconque de votre surface de cuisson. Certains tampons à récurer en nylon peuvent également causer des égratignures. Vérifiez l'étiquette.
- Nettoyez les déversements dès que possible. Lorsqu'ils sèchent, des résidus d'aliments peuvent boucher les orifices de brûleur, causant ainsi une flamme irrégulière.
- Veillez à ce qu'il ne reste aucun résidu de produit nettoyant sur les pièces de la surface de cuisson; lorsqu'ils sont soumis à la chaleur, ces résidus peuvent causer des taches.
- Consultez les pages suivantes pour savoir comment réinstaller les pièces d'appui et réassembler les brûleurs adéquatement après le nettoyage.
- Ne nettoyez pas les pièces de la surface de cuisson dans un four autonettoyant.
- N'utilisez pas de nettoyeur à vapeur.

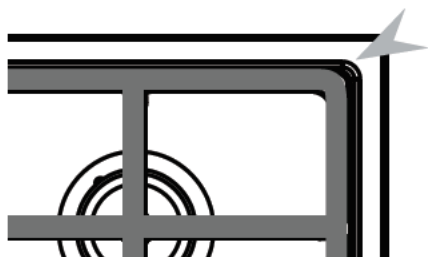
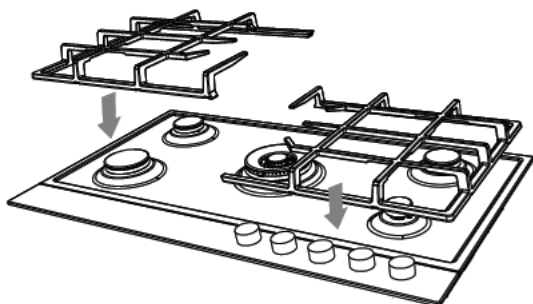
QUELLE PIÈCE? À QUELLE FRÉQUENCE?	COMMENT?	IMPORTANT!
<p>Base en acier inoxydable</p> <p>Après chaque utilisation</p>	<ol style="list-style-type: none"> ① Faites tremper les taches tenaces à l'aide d'un chiffon imbibé d'eau chaude savonneuse. ② Nettoyez les taches en utilisant un chiffon et un détergent ménager doux ou un nettoyant pour acier inoxydable. ③ Essuyez avec un chiffon propre et humide. ④ Essuyez la surface avec un chiffon microfibre pour la sécher. ⑤ Pour un éclat supplémentaire, utilisez un poli pour acier inoxydable approprié. <ul style="list-style-type: none"> • Vous pouvez faire disparaître les taches d'eau tenaces à l'aide de vinaigre blanc domestique. 	<ul style="list-style-type: none"> • N'utilisez pas de nettoyeurs abrasifs, de nettoyeurs à base de citron, de tampons savonneux en laine d'acier ou d'objets pointus sur l'acier inoxydable. • Lisez toujours l'étiquette afin de vous assurer que votre nettoyant pour acier inoxydable ne contient pas de composés de chlore, car ces derniers sont corrosifs et pourraient endommager le fini de votre surface de cuisson. • Frottez toujours l'acier inoxydable dans le sens des lignes de poli. • The graphics are etched onto the steel by laser and will not rub off.
<p>Le bouton du brûleur.</p> <p>Lorsque nécessaire</p>	<ol style="list-style-type: none"> ① Essuyer avec un chiffon humide et un détergent doux. Nettoyant pour acier inoxydable peut être utilisé sur la surface supérieure de seulement les cadrans. ② Sécher avec un chiffon doux. 	<p>Ne pas utiliser nettoyant pour four sur la cadrans, car cela pourrait endommager leur revêtement.</p>

<p>QUELLE PIÈCE? À QUELLE FRÉQUENCE?</p>	<p>COMMENT?</p>	<p>IMPORTANT!</p>
<p>Chapeaux de brûleur et anneaux, diffuseurs de flamme, pièces d'appui, support de wok</p> <p>Lorsque nécessaire, mais au moins une fois par mois</p>	<p>① Retirez les pièces que vous souhaitez nettoyer. Consultez les illustrations présentées à la suite de ce tableau.</p> <p>② Faites tremper les taches tenaces dans une solution de détergent à vêtements ou détergent pour lavevaisselle biologique.</p> <p>③ Nettoyez les pièces dans de l'eau savonneuse et chaude. Utilisez une brosse de nylon aux soies raides ou un trombone à bout droit pour nettoyer les orifices de brûleur.</p>  <p>Orifices de brûleur</p> <p>④ Rincez avec de l'eau tiède.</p> <p>⑤ Séchez complètement.</p> <p>⑥ Réinstallez les pièces correctement, en vous reportant aux illustrations présentées à la suite de ce tableau.</p>	<ul style="list-style-type: none"> • Veillez à ce que les orifices de brûleur ne soient pas obstrués. Les saletés résultant du déversement d'aliments peuvent les boucher et causer des problèmes d'allumage ou une flamme irrégulière. • Nettoyez dès que possible les taches laissées par les aliments ou les débordements. Lorsqu'elles brûlent ou refroidissent, ces taches sont difficiles à nettoyer et peuvent même causer des décolorations permanentes sur ces pièces. • Avant de remettre en place les pièces du brûleur, assurez-vous qu'elles soient bien sèches. Une pièce de brûleur humide pourrait provoquer une flamme irrégulière. • Avant d'allumer un brûleur réassemblé, vérifiez que toutes ses pièces sont correctement positionnées. Un assemblage incorrect pourrait causer de dangereux problèmes d'allumage et de flamme irrégulière.
<p>Allumeur</p> <p>Au moins une fois par mois</p>	<p>Nettoyez très soigneusement à l'aide d'une brosse à dents trempée dans de l'alcool dénaturé.</p>  <p>Allumeur</p>	<p>Un allumeur propre permet de produire des étincelles sans problème. Vérifiez l'allumeur régulièrement pour vous assurer qu'il demeure propre.</p>
<p>Toutes les composantes relatives au gaz de la surface de cuisson</p> <p>Chaque 3 ou 4 ans</p>	<ul style="list-style-type: none"> • Communiquez avec un centre de service autorisé de votre région pour effectuer une vérification approfondie de toutes les composantes relatives au gaz de la surface de cuisson. • Pour obtenir les coordonnées d'un centre de service autorisé, reportez-vous au livret de service et de garantie ou communiquez avec le service à la clientèle. 	<ul style="list-style-type: none"> • Toutes les opérations de vérification et d'entretien doivent être effectuées par un technicien qualifié. • Si le gaz est raccordé à l'aide d'un tuyau flexible, la vérification doit inclure l'inspection de l'assemblage du tuyau flexible sur toute sa longueur pour s'assurer qu'il ne présente aucune trace d'usure ou d'endommagement.

Réinstallation adéquate des pièces d'appui

Modèles CG305D et CG365D

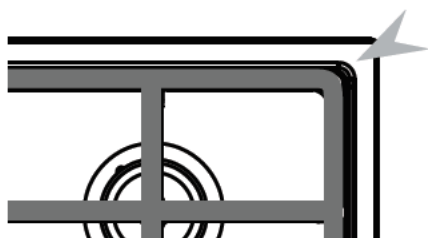
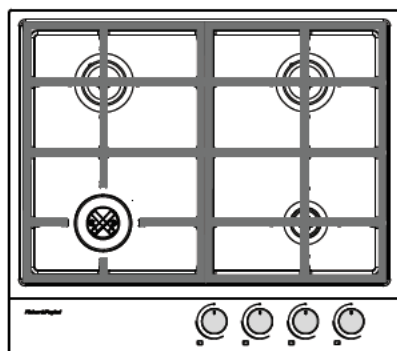
Les deux pièces d'appui sont interchangeables. Installez-les de la manière illustrée, en plaçant les coins arrondis vers l'extérieur pour les faire correspondre à la base de la surface de cuisson.



Positionnement adéquat des pièces d'appui

Modèles CG244D

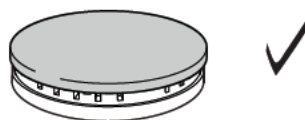
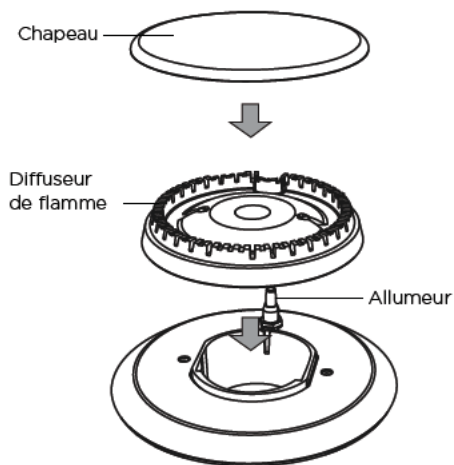
Les supports de casserole ne peuvent être placés comme indiqué et doivent être mis en rotation pour faire correspondre les coins arrondis de la base de la table de cuisson et l'ouverture s'adapte sur la mini brûleur pour wok.



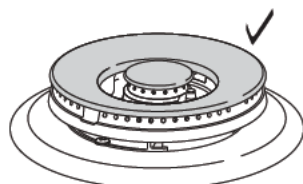
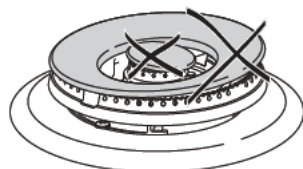
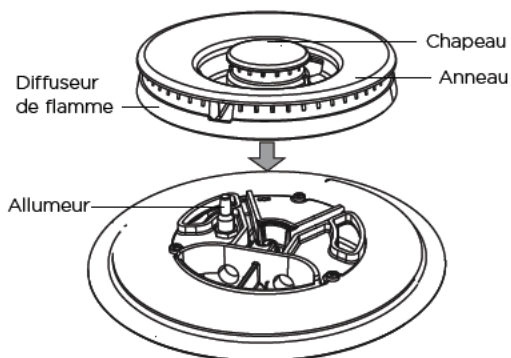
Positionnement adéquat des pièces d'appui (CG244D models)

Réinstallation adéquate des pièces du brûleur

Brûleurs semi-rapide, rapide et auxiliaire



Brûleur double pour wok et brûleur mini pour wok



DÉPANNAGE

PROBLÈME

Il y a une forte odeur de gaz.

CAUSES POSSIBLES ET SOLUTIONS

Le raccordement du gaz pourrait présenter une fuite en raison d'une installation incorrecte ou d'un tuyau endommagé.

IMPORTANT!

N'utilisez aucun appareil électrique et ne faites fonctionner aucun interrupteur électrique.

- ① Si un ou plusieurs brûleurs sont allumés, éteignez-les tous immédiatement.
- ② Si vous savez comment couper l'alimentation en gaz à votre surface de cuisson (au niveau du robinet ou de la bouteille de gaz), faites-le.
- ③ Ouvrez une fenêtre pour évacuer le gaz.
- ④ Communiquez avec un centre de service local dès que possible.

IMPORTANT!

N'utilisez pas votre surface de cuisson avant qu'elle ne soit réparée.

La surface de cuisson dégage une légère odeur de caoutchouc ou de métal lors de la première utilisation.

Cela est normal lors de la première utilisation, car certains résidus de fabrication doivent brûler. L'odeur disparaîtra avec l'usage.

Il y a une panne d'électricité.

Vous pouvez toujours utiliser votre surface de cuisson, mais vous devrez allumer le(s) brûleur(s) à l'aide d'une allumette. Pour ce faire, enfoncez le bouton et tournez-le dans le sens inverse des aiguilles d'une montre à la position HI tout en tenant une allumette allumée sur le côté du brûleur. Attendez que la flamme brûle uniformément avant d'effectuer le réglage.

Il n'ya pas de clic / étincelles et les halos ne s'allument pas

Il existe une panne de courant. Voir la rubrique ' Il ya une panne d'électricité ' ci-dessus

Il n'ya pas de clic / étincelles mais le halo est rouge.

L'allumeur (s) peut-être sale ou humide. Nettoyez-les en suivant les instructions dans 'Entretien et nettoyage'.

Il y a un déclic/des étincelles, mais un ou plusieurs brûleurs ne s'allument pas facilement ou pas du tout.

Attendez 1 minute, puis réessayez de rallumer le brûleur, en maintenant cette fois le bouton enfoncé quelques secondes de plus. Si cela ne fonctionne pas et que le brûleur refuse toujours de s'allumer, consultez les autres causes possibles et solutions présentées ci-dessous.

Il est possible que l'alimentation en gaz ne soit pas ouverte au robinet ou à la bouteille de gaz. Éteignez tous les brûleurs, puis vérifiez si l'alimentation en gaz est ouverte à la surface de cuisson.

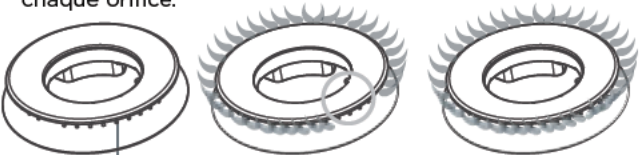
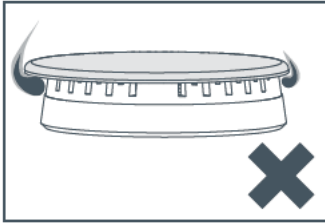
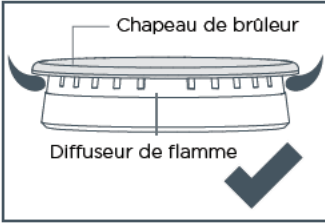
Il est possible que l'alimentation en gaz de la maison ne fonctionne pas correctement. Vous devez entendre le gaz circuler lorsqu'un brûleur est activé.

Si vous utilisez du gaz en bouteille, il se peut que la bouteille soit pratiquement vide et qu'il soit nécessaire de la remplacer.

Les pièces du brûleur pourraient être obstruées ou humides. Assurez-vous qu'elles soient propres et sèches. Voir 'Entretien et nettoyage' pour les instructions.

Il est possible que les pièces du brûleur ne soient pas réinstallées correctement. Vérifiez l'assemblage et assurez-vous que le chapeau de brûleur repose à plat. Voir 'Entretien et nettoyage' pour les illustrations.

Burner parts may not have been replaced correctly. Check the assembly and make sure the burner cap is sitting flat. See 'Care and cleaning' for illustrations.

PROBLÈME	CAUSES POSSIBLES ET SOLUTIONS
<p>La flamme a été éteinte par un courant d'air ou un déversement.</p>	<p>La fonction de rallumage automatique détectera cette situation. Les allumeurs produiront des étincelles et tenteront de rallumer le brûleur. Si le brûleur ne se rallume pas, éteignez-le, puis attendez au moins 1 minute avant de tenter de le rallumer. Ceci permet la dispersion des petites quantités de gaz ayant pu s'échapper.</p>
<p>La flamme s'éteint aux réglages de chaleur faibles.</p>	<p>La pression de l'alimentation en gaz pourrait être faible. Vérifiez ceci avec le technicien d'entretien ou l'installateur.</p> <p>Si vous utilisez du gaz en bouteille, il se peut que la bouteille soit presque vide.</p>
<p>Les flammes sont jaunes plutôt que bleues ou elles présentent une pointe jaunâtre.</p>	<p>Des pièces de brûleur (plus particulièrement les orifices de brûleur) peuvent être bouchées ou humides. Assurez-vous qu'elles soient propres et sèches.</p> <p>La surface de cuisson pourrait être raccordée à un type de gaz inadéquat ou la pression de gaz est incorrecte. Contactez le service à la clientèle et n'utilisez pas votre surface de cuisson avant de l'avoir fait vérifier par un technicien qualifié.</p>
<p>La flamme est irrégulière autour du brûleur.</p>	<p>Des pièces de brûleur (plus particulièrement les orifices de brûleur) peuvent être bouchées ou humides. Assurez-vous qu'elles soient propres et sèches. Voir 'Entretien et nettoyage' pour les instructions et illustrations relatives au nettoyage des orifices de brûleur bouchés. Après le nettoyage, vérifiez qu'une flamme est produite par chaque orifice.</p> <div style="text-align: center;">  <p data-bbox="409 1040 620 1062">Les orifices de brûleur</p> </div> <p>Il est possible que les pièces du brûleur ne soient pas réinstallées correctement. Vérifiez l'assemblage et assurez-vous que le chapeau de brûleur et/ou l'anneau reposent à plat sur le diffuseur de flamme. Voir 'Entretien et nettoyage' pour les illustrations.</p> <div style="display: flex; justify-content: space-around;"> <div data-bbox="389 1246 714 1469" style="border: 1px solid black; padding: 5px;">  </div> <div data-bbox="725 1246 1050 1469" style="border: 1px solid black; padding: 5px;">  <p style="text-align: center;">Chapeau de brûleur</p> <p style="text-align: center;">Diffuseur de flamme</p> </div> </div>

DÉPANNAGE

PROBLÈME

Les flammes sont trop grandes ou trop petites.

Les flammes produisent du bruit.

Les flammes s'éloignent du brûleur.

CAUSES POSSIBLES ET SOLUTIONS

La surface de cuisson pourrait être raccordée à un type de gaz inadéquat. Contactez le service à la clientèle et n'utilisez pas votre surface de cuisson avant de l'avoir fait vérifier par un technicien qualifié.

Avant d'appeler pour demander une réparation ou de l'assistance ...

Vérifiez les points que vous pouvez contrôler vous-même. Consultez les instructions d'installation et le guide de l'utilisateur pour vous assurer que :

- ① Votre produit est installé correctement.
- ② Vous êtes familier avec son fonctionnement normal.

Si après la vérification de ces points, vous avez toujours besoin d'assistance ou d'une réparation, reportez-vous au livret de service et de garantie pour obtenir les détails sur la garantie et les coordonnées d'un réparateur autorisé ou de l'Assistance à la clientèle, ou contactez-nous par l'entremise de notre site Web, à l'adresse indiquée sur la couverture arrière.

Pour nous contacter

Un guide sommaire d'entretien est fixé à la face inférieure du produit.
Pour obtenir des pièces de remplacement ou de l'aide au sujet de cet appareil, composez ce numéro :

Sans frais : 1-888-9 FNP USA (1-888-936-7872)

ou écrivez à :

Fisher & Paykel Appliances Inc.
5900 Skylab Road
Huntington Beach, CA 92647
USA

ou contactez-nous par l'entremise de notre site Web, www.fisherpaykel.com

Compléter et conserver pour référence sûre:

Modèle _____

N° de série _____

Date d'achat _____

Acheteur _____

Le Revendeur _____

Le Banlieue _____

Le Ville _____

Le Pays _____

FISHERPAYKEL.COM

© Fisher & Paykel Appliances 2017. All rights reserved.

The product specifications in this booklet apply to the specific products and models described at the date of issue. Under our policy of continuous product improvement, these specifications may change at any time. You should therefore check with your Dealer to ensure this booklet correctly describes the product currently available.

© Fisher & Paykel Appliances 2017. Tous droits réservés.

Les caractéristiques de produit présentées dans ce livret s'appliquent aux modèles et produits spécifiques qui y sont décrits à la date de publication. Dans le cadre de notre politique d'amélioration en permanence de nos produits, ces caractéristiques peuvent être modifiées à tout moment. Nous vous recommandons de vérifier auprès de votre détaillant que ce livret décrit le produit actuellement disponible.

US CA

590485C 08.17