

# 10kg Series 7 Front Loader Washer

Series 7 | Front Load

White

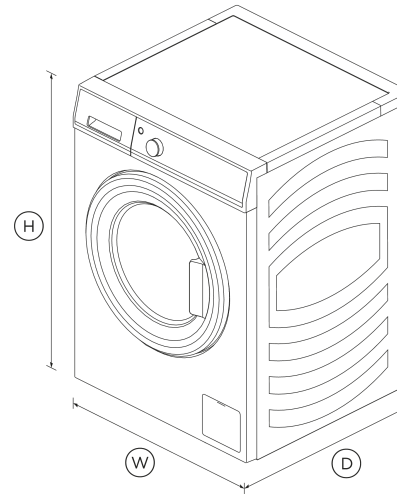


With plenty of room for large loads, and 13 wash cycles including Handwash, this front loader caters to every type of load.

- 13 wash cycles including Allergy, Easy Iron and Handwash
- Caters for busy lives with a 15 minute Super Quick cycle
- Add a Garment function allows you to add items mid cycle
- 4 star water and energy rating

## DIMENSIONS

|        |        |
|--------|--------|
| Height | 850 mm |
| Width  | 600 mm |
| Depth  | 665 mm |



## FEATURES & BENEFITS

### Add A Garment

Add a Garment allows you to pause your wash cycle, add or remove any sized item, then carry on washing.

### Smartdrive™ Technology

SmartDrive™ technology is a gentle, quiet, and efficient combination of smart electronics and a direct drive motor that senses the load, to deliver better fabric care.

### Quiet Operation

Clever side paneling and engineered feet keep noise and vibration to a minimum - ideal for compact living spaces.

### Easy Clean Dispenser

Clearly labelled compartments make it easy to see where to put washing powder and softener. It is cleverly shaped to minimise spills and is easy to remove and clean.

### Water And Energy Efficient

With a 4 star water rating and 4 star energy rating, our 10kg washing machine handles large loads whilst keeping water and power usage to a minimum.

### The Perfect Pair

This washing machine and our 8kg Condensing Dryer will clean, dry and beautifully care for clothes, while looking great together in your laundry.

## SPECIFICATIONS

### Accessories (sold separately)

Stacking kit Part 428159

### Capacity

Capacity 10 kg

### Features

- Add a garment (immediate door opening)
- Anti-fungal door gasket
- Auto out of balance correction
- Automatic water level
- Child/Keylock
- Delay start

|                                  |            |
|----------------------------------|------------|
| Eco rinse                        | •          |
| Extra rinse option               | •          |
| Flood protection                 | •          |
| Hot and cold water inlets        | •          |
| Pre Wash                         | •          |
| Progress indicator               | •          |
| SmartTouch™ control dial         | •          |
| Soil levels                      | 3          |
| Spin speeds                      | 4          |
| Stainless steel drum             | •          |
| Timed liquid detergent dispenser | •          |
| Water supply                     | Hot & Cold |
| Water temperature controls       | 5          |
| Wrinkle Free                     | •          |

|                       |    |
|-----------------------|----|
| <b>Wash Cycles</b>    |    |
| Allergy               | •  |
| Bulky                 | •  |
| Cottons               | •  |
| Customise cycle       | •  |
| Delicate              | •  |
| Drum Clean            | •  |
| Easy Iron             | •  |
| Everyday              | •  |
| Handwash              | •  |
| Heavy                 | •  |
| Number of wash cycles | 13 |
| Quick 30              | •  |
| Rinse                 | •  |
| Spin                  | •  |
| Super Quick           | •  |

**Where applicable:**

All appliances use energy, and energy usage typically generates carbon emissions. **Fisher & Paykel Appliances' In-use Energy Carbon Emissions Estimate** indicates carbon emissions from a product's in-use energy. This is calculated either annually or per cycle, using the product's market-specific energy label energy consumption data multiplied by the carbon emissions factor for energy in your country or region.

Our In-use Energy Carbon Emissions Estimate is designed to assist customers in making informed purchasing decisions when comparing different Fisher & Paykel products. For example, a heat pump dryer typically has a lower In-use Energy Carbon Emissions Estimate than a vented dryer.



**A PEACE OF MIND SALE**  
**24 Hours 7 Days a Week Customer Support**  
 T +65 6741 0777 Wwww.fisherpaykel.com

SKU 93268

The product dimensions and specifications in this page apply to the specific product and model. Under our policy of continuous improvement, these dimensions and specifications may change at any time. You should therefore check with Fisher & Paykel's Customer Care Centre to ensure this page correctly describes the model currently available. © Fisher & Paykel Appliances Ltd 2020

Other product downloads available at [fisherpaykel.com](https://www.fisherpaykel.com)

[↓](#) Service & Warranty

**Performance**

|                        |          |
|------------------------|----------|
| Maximum spin speed     | 1200 rpm |
| Number of spin speeds  | 4        |
| SmartDrive™ technology | •        |
| Vortex wash            | •        |

**Product dimensions**

|        |        |
|--------|--------|
| Depth  | 665 mm |
| Height | 850 mm |
| Width  | 600 mm |

**Warranty**

|                              |          |
|------------------------------|----------|
| Parts only SmartDrive™ motor | 10 years |
|------------------------------|----------|