

Built-in Coffee Maker, 24"

Series 9 | Contemporary

Black



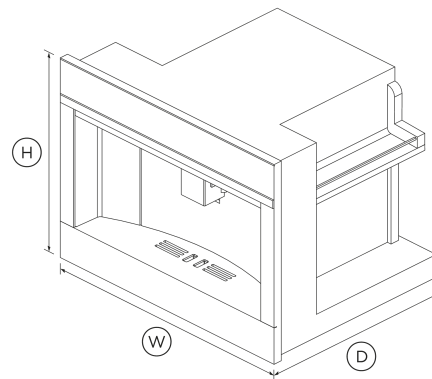
Our built-in coffee maker pours a delicious coffee, however you take it. Pairs perfectly with 24" ovens and other companion products.

- Make barista-standard coffee just the way you like it, with 13 options from Americano to Macchiato or Latte
- Adjustable coffee strength, temperature and coffee cup sizes
- Your favorite coffee can be memorized and set to start at the same time each day, so it's ready when you are
- With self-cleaning function for an effortless clean

- Part of our suite of companion products, designed to match aesthetically for flexible configurations

DIMENSIONS

Height	18 "
Width	23 1/2 "
Depth	18 7/8 "



FEATURES & BENEFITS

Coffee choice

Fisher & Paykel's Coffee Maker has 13 different options to suit individual taste and selection - from Americano to Macchiato

SELF CLEANING

The Coffee Maker has a self-cleaning function, and comes with a removable drip tray and a waste container for used coffee grounds.

COMPLEMENTARY DESIGN

Finished in black reflective glass with a polished metal trim, this Coffee Maker matches the full Companion product set and the rest of the Fisher & Paykel kitchen family.

Coffee Your Way

Program an automatic setting to start up at the same time each day and memorize your favorite coffee. The intuitive touch display includes refill, cleaning and maintenance data, while twin LED lights illuminate your beverages so you can see what you are doing on those dark mornings.

SIZED TO SUIT

This 24" Built-in Coffee Maker is perfect for the compact kitchen and can be placed virtually anywhere. All Companion products can be installed at a convenient height to suit your kitchen design and preference.

BARISTA-STYLE COFFEE

The conical burr grinder delivers a consistent grind for the perfect coffee. Set it to suit your preference.

SPECIFICATIONS

Accessories (included)

Coffee spoon	•
Descaling agent bottle	•
Extractable steam outlet	•
Thermal milk jug (Auto Cappuccino)	0.125 L
Water filter	•

Accessories (sold separately)

Matching Trim Kit	TK3ONDB1
Optional lower trim kit	Part 81662

Cappuccino	•
Coffee	•
Cup size levels	4 + manual
Double espresso	•
Espresso	•
Espresso macchiato	•
Flat white	•
Hot milk	•
Hot water	•
Latte	•
Latte macchiato	•
Long black	•
Personalised coffee	•
Takes pre ground coffee	•

Amperage	10 A
Supply frequency	50 Hz
Supply voltage	120 V

Capacity

Coffee bean container capacity	0.75 lbs
Drip tray capacity	0.25 gallons
Grounds container capacity	14 cups of coffee
Number of cups	1 or 2
Water tank capacity	0.625 L

Performance

Coffee temperatures	5 x settings
Grinder	Stainless steel conical burr
Grinding coarseness	13 positions
Heating system	Thermablock with stainless steel tube & steamer
Heating system power (coffee / steam)	1200 W
Integrated cup warmer shelf	•
Integrated storage for accessories	•
Pump power	50
Pump pressure	15 Bar

Product Dimensions

Depth	18 7/8 "
Height	18 "
Width	23 1/2 "

Cleaning

Easy to remove coffee grinds container	•
Easy to remove stainless steel hot water/ steam pipe	•
Removable drip tray with level indicator	•
Self-clean function	•

SKU	82300
-----	--------------

The product dimensions and specifications in this page apply to the specific product and model. Under our policy of continuous improvement, these dimensions and specifications may change at any time. You should therefore check with Fisher & Paykel's Customer Care Centre to ensure this page correctly describes the model currently available. © Fisher & Paykel Appliances Ltd 2020

Controls

Cleaning reminder	•
Coffee grounds full reminder	•
Intuitive information display	•
LED lights	4
Multi-language interface	true
Refill coffee bean reminder	•
Water tank empty indicator	•

Other product downloads available at fisherpaykel.com

- [↓](#) 2D-DWG Built-in Coffee Maker with 30" Trim
- [↓](#) 2D-DWG Built-in Coffee Maker with Bottom Trim
- [↓](#) 2D-DWG Built-in Coffee Maker
- [↓](#) 2D-DXF Built-in Coffee Maker with 30" Trim
- [↓](#) 2D-DXF Built-in Coffee Maker with Bottom Trim
- [↓](#) 2D-DXF Built-in Coffee Maker
- [↓](#) Archicad Built-in Coffee Maker
- [↓](#) Archicad Built-in Coffee Maker with 24" Trim
- [↓](#) Archicad Built-in Coffee Maker with 30" Trim
- [↓](#) Data Sheet Built-in Coffee Maker with 30" Trim

Functions

Americano	•
-----------	---

Power Requirements

- [↓ Data Sheet Built-in Coffee Maker with Bottom Trim](#)
- [↓ Data Sheet Built-in Coffee Maker](#)
- [↓ Service & Warranty](#)
- [↓ Installation Guide - Cavity Trim Kit](#)
- [↓ Installation Guide Companion Products EN](#)
- [↓ Guide d'installation FR](#)
- [↓ Revit Built-in Coffee Maker](#)
- [↓ Revit Built-in Coffee Maker with 24" Trim](#)
- [↓ Revit Built-in Coffee Maker with 30" Trim](#)
- [↓ Rhino Built-in Coffee Maker](#)
- [↓ Rhino Built-in Coffee Maker with 24" Trim](#)
- [↓ Rhino Built-in Coffee Maker with 30" Trim](#)
- [↓ Sketchup Built-in Coffee Maker](#)
- [↓ Sketchup Built-in Coffee Maker with 24" Trim](#)
- [↓ Sketchup Built-in Coffee Maker with 30" Trim](#)
- [↓ Specification Guide Built-in Coffee Maker](#)
- [↓ User Guide](#)



A PEACE OF MIND SALE
24 Hours 7 Days a Week Customer Support
T 1.888.936.7872 W www.fisherpaykel.com

Where applicable:

All appliances use energy, and energy usage typically generates carbon emissions. **Fisher & Paykel Appliances' In-use Energy Carbon Emissions Estimate** indicates carbon emissions from a product's in-use energy. This is calculated either annually or per cycle, using the product's market-specific energy label energy consumption data multiplied by the carbon emissions factor for energy in your country or region.

Our In-use Energy Carbon Emissions Estimate is designed to assist customers in making informed purchasing decisions when comparing different Fisher & Paykel products. For example, a heat pump dryer typically has a lower In-use Energy Carbon Emissions Estimate than a vented dryer.