

**76CM BUILT-IN OVENS AND COMPANIONS  
CONTEMPORARY STAINLESS STEEL**

---

**PLANNING GUIDE**

---

**SERIES 9 & 11**

**DOUBLE OVEN** | OB76DDPTDX2

**OVEN** | OB76SDPTDX2

**STEAM OVEN** | OS76NDTDX1

**SPEED OVEN** | OM76NDTDX1

**BUILT-IN COFFEE MAKER** | EB60DSX1

**TRIM KIT** | TK7630NDX1

**FISHER & PAYKEL**

This comprehensive Planning Guide provides you with the framework and tools to achieve your desired design outcome with Fisher & Paykel appliances. In this guide, you will find a range of conceptual, detailed and dimensional product information to bring your ideas to life and create spaces that truly reflect your vision.

**CONTENTS**

<b>CONCEPT DESIGN</b>	<b>PAGE</b>	<b>DEVELOPED AND DETAILED DESIGN</b>	<b>PAGE</b>	<b>DEVELOPED AND DETAILED DESIGN</b>	<b>PAGE</b>
<b>Design Choices</b>		<b>Data Sheets</b>		<b>Planning Considerations</b>	
Ovens and Companions - ALL MODELS	<b>4</b>	Double Oven	<b>16</b>	Cabinetry Preparation - ALL MODELS	<b>22</b>
Configurations - ALL MODELS	<b>5</b>	Oven	<b>17</b>	Configurations - ALL MODELS	<b>23</b>
Overview - ALL MODELS	<b>6</b>	Combination Steam Oven	<b>18</b>	Double Oven	<b>24</b>
		Combination Microwave Oven	<b>19</b>	Oven	<b>25</b>
<b>Specification Guides</b>		Built-in Coffee Maker with Trim Kit	<b>20</b>	Combination Steam Oven	<b>26</b>
Double Oven	<b>8</b>			Combination Microwave Oven	<b>27</b>
Oven	<b>9</b>			Built-in Coffee Maker with Trim Kit	<b>28</b>
Combination Steam Oven	<b>10</b>				
Combination Microwave Oven	<b>11</b>			<b>Services</b>	
Built-in Coffee Maker with Trim Kit	<b>12</b>			Power Cord Length and Location	<b>30</b>
Dimensions - ALL MODELS	<b>13</b>				
Power, Weight and Capacity - ALL MODELS	<b>14</b>				

The models shown in this Planning Guide may not be available in all markets and are subject to change at any time. Product specifications may vary from those shown. This Planning Guide should not be used as installation guidance for any product. Further information is required to safely and correctly install the products featured here. Specific installation guidance will be available on our website [fisherpaykel.com](http://fisherpaykel.com)

## DESIGN CHOICES

COLOUR

OVENS

COMPANIONS

INSTALLATION OPTIONS

OVEN

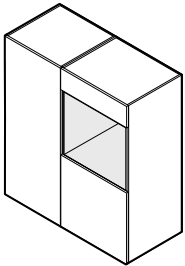
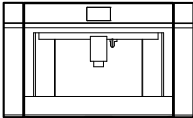
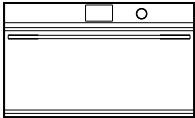
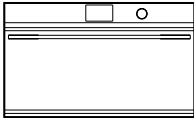
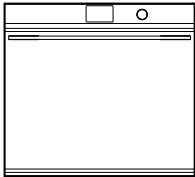
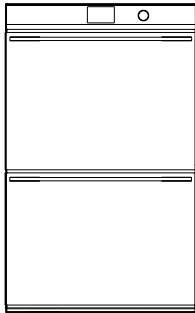
COMBINATION STEAM

COMBINATION MICROWAVE

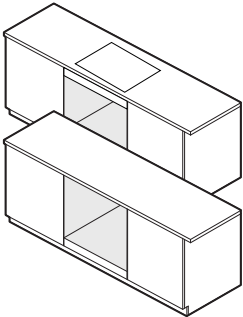
BUILT-IN COFFEE MAKER



STAINLESS STEEL



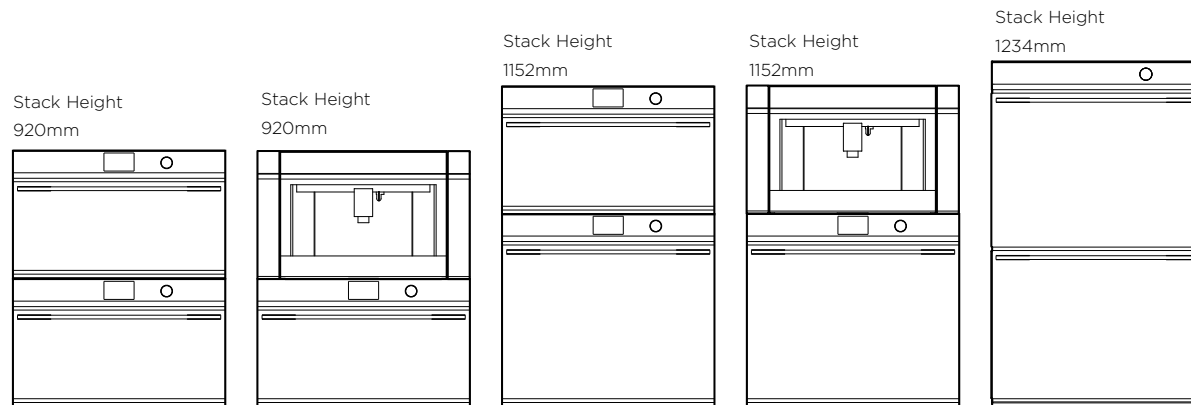
INSTALLATION IN WALL



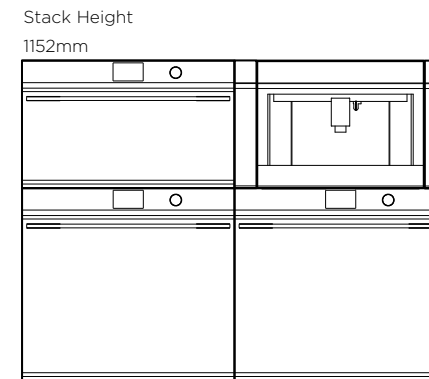
INSTALLATION UNDER-BENCH

The models shown in this Planning Guide may not be available in all markets and are subject to change at any time. Product specifications may vary from those shown. This Planning Guide should not be used as installation guidance for any product. Further information is required to safely and correctly install the products featured here. Specific installation guidance will be available on our website fisherpaykel.com

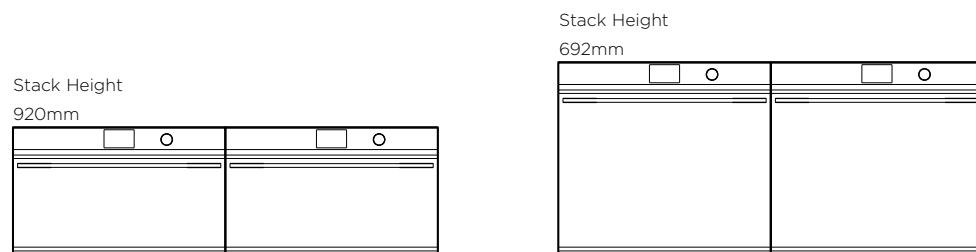
**STACKED INSTALLATION**



**GRID INSTALLATION**



**ROW INSTALLATION**

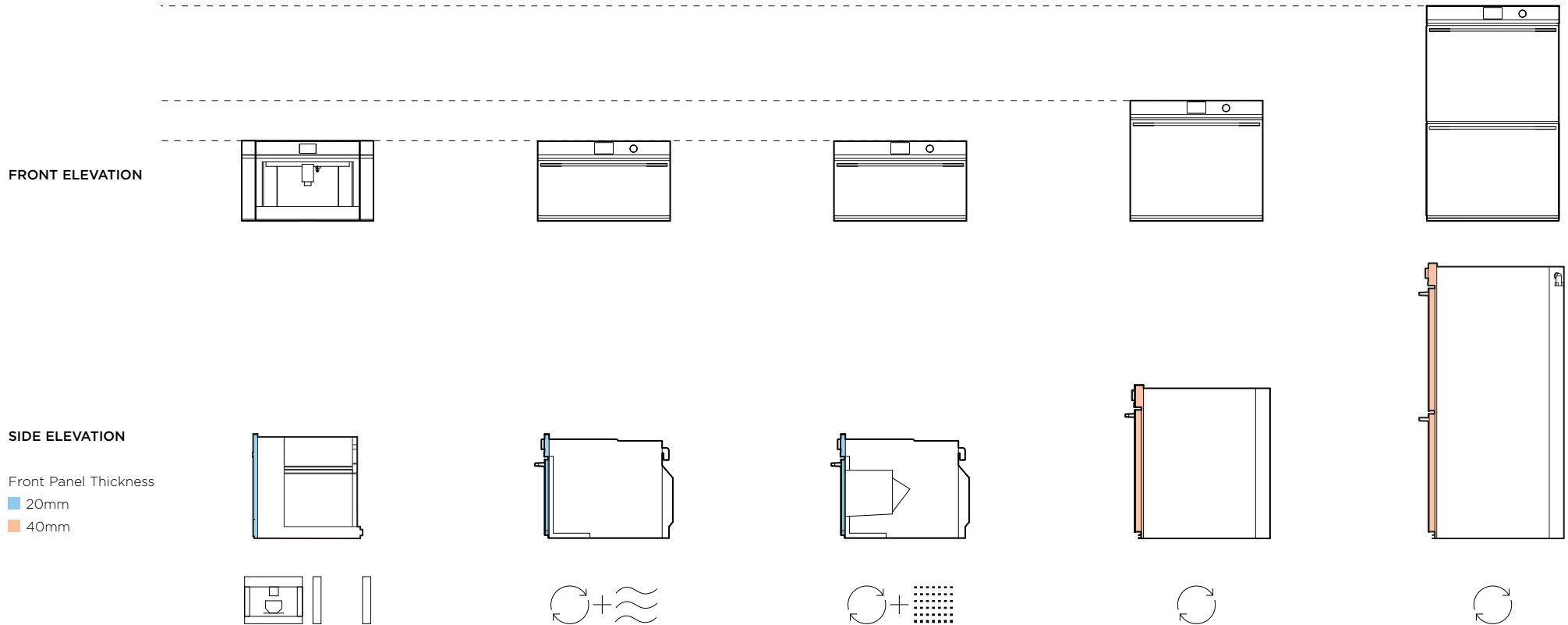


**CONSIDERATIONS**

Different configurations possible, consider heights for row and grid installations.

Note: Stack Height is overall product height with minimum clearance above appliance front panel to upper cabinetry front panel or appliance.

The models shown in this Planning Guide may not be available in all markets and are subject to change at any time. Product specifications may vary from those shown. This Planning Guide should not be used as installation guidance for any product. Further information is required to safely and correctly install the products featured here. Specific installation guidance will be available on our website [fisherpaykel.com](http://fisherpaykel.com)



	BUILT-IN COFFEE MAKER WITH TRIM KIT	COMBINATION MICROWAVE OVEN	COMBINATION STEAM OVEN	OVEN	DOUBLE OVEN
<b>Series</b>	Series 9	Series 9	Series 9	Series 9	Series 9
<b>Model Code</b>	EB60DSX1 Trim Kit TK7630NDX1	OM76NDTDX1	OS76NDTDX1	OB76SDPTDX2	OB76DDPTDX2
<b>Interface</b>	4.3" Touchscreen	5" Touchscreen, Dial Control	5" Touchscreen, Dial Control	5" Touchscreen, Dial Control	5" Touchscreen
<b>Height</b>	458mm	458mm	458mm	690mm	1232mm
<b>Front Panel Thickness</b>	20mm	20mm	20mm	40mm	40mm

The models shown in this Planning Guide may not be available in all markets and are subject to change at any time. Product specifications may vary from those shown. This Planning Guide should not be used as installation guidance for any product. Further information is required to safely and correctly install the products featured here. Specific installation guidance will be available on our website [fisherpaykel.com](http://fisherpaykel.com)

# **SPECIFICATION GUIDE**

SERIES 9 & 11



### OVERVIEW

Enhance your kitchen design with the refined styling of the 76cm Double Oven. Complementing the other products in our Contemporary Stainless Steel collection, you can create a coherent, considered look with ease. Intuitive controls and the performance to deliver perfect results make this double oven beautiful to use.

### PRODUCTS

#### OB76DDPTDX2

Double Oven, 76cm, 17 Function, Self-cleaning, 115L + 115L, Touchscreen, Dial Controls, Stainless Steel

### SERIES & STYLE

Series 9  
Contemporary Stainless Steel

### FEATURES

- ① Designed to fit flush with cabinetry
- ② Styled to perfectly match our Contemporary Stainless Steel kitchen appliances
- ③ Generous 115L total capacity per oven, 230L total capacity
- ④ Intuitive, large 5" touchscreen display with illuminated dial
- ⑤ Guided cooking and recipes
- ⑥ Perfect results from a variety of oven functions
- ⑦ Even heat distribution throughout with AeroTech™ technology
- ⑧ Self-cleaning
- ⑨ CoolTouch door
- ⑩ Wi-Fi/Connected capability through the SmartHQ™ app

### ACCESSORIES

- ① Full Extension Sliding Shelves\*
- ② Self-cleaning-proof side racks\*
- ③ Roasting dish, tray and rack\*
- ④ Wired Temperature Sensor\*

\*Included with product

The models shown in this Planning Guide may not be available in all markets and are subject to change at any time. Product specifications may vary from those shown. This Planning Guide should not be used as installation guidance for any product. Further information is required to safely and correctly install the products featured here. Specific installation guidance will be available on our website [fisherpaykel.com](https://fisherpaykel.com)





## OVERVIEW

Enhance your kitchen design with the refined styling. Complementing the other products in our Contemporary Stainless Steel collection, you can create a coherent, considered look with ease. Intuitive controls and the performance to deliver perfect results make this oven beautiful to use.

## PRODUCTS

### OB76SDPTDX2

Oven, 76cm, 17 Function, 15L, Touchscreen, Dial Controls, Stainless Steel

## SERIES & STYLE

Series 9  
Contemporary Stainless Steel

## FEATURES

- ① Designed to fit flush with cabinetry
- ② Styled to perfectly match our Contemporary Stainless Steel kitchen appliances
- ③ Generous 115L total capacity
- ④ Intuitive, large 5" touchscreen display with illuminated dial
- ⑤ Guided cooking and recipes
- ⑥ Perfect results from a variety of oven functions
- ⑦ Even heat distribution throughout with AeroTech™ technology
- ⑧ Self-cleaning
- ⑨ Wireless Temperature Sensor precisely monitors cooking in real time
- ⑩ Wi-Fi/Connected capability through the SmartHQ™ app

## ACCESSORIES

- ① Full Extension Sliding Shelves\*
- ② Self-cleaning-proof side racks\*
- ③ Roasting dish, tray and rack\*
- ④ Wired Temperature Sensor\*
- ⑤ Wireless Temperature Sensor - Part WTSC1

\*Included with product

The models shown in this Planning Guide may not be available in all markets and are subject to change at any time. Product specifications may vary from those shown. This Planning Guide should not be used as installation guidance for any product. Further information is required to safely and correctly install the products featured here. Specific installation guidance will be available on our website [fisherpaykel.com](http://fisherpaykel.com)



## OVERVIEW

With timeless Contemporary styling, the Combination Steam Oven fits seamlessly into any kitchen. As a companion product, this oven is designed to install easily and fit perfectly with other companion products such as the Vacuum Seal Drawer. It features 23 functions, including steam-only, convection-only, or a combination of both. Reduce the need for oils and fats with six standalone steam functions, perfect for creating flavourful and healthy restaurant-quality meals at home. Beautiful to use, the large 5" touchscreen interface has simple and intuitive guided cooking, helping to ensure perfect results.

## PRODUCTS

### OS76NDTDX1

Combination Steam Oven, 76cm, 23 Function

## SERIES & STYLE

Series 9  
Contemporary Stainless Steel

## ACCESSORIES

- ① Full Extension Sliding Shelf\*
- ② Wire Shelf\*
- ③ Flat Brushed Baking Tray\*
- ④ Roasting Dish\*
- ⑤ Grill Rack\*

## FEATURES

- ① Contemporary style, designed to fit flush with cabinetry
- ② Generous 55L total capacity with four shelf positions
- ③ Intuitive, large 5" touchscreen display with illuminated dial
- ④ 23 oven functions including Steam, Sous Vide, Air Fry and Crisp Regenerate
- ⑤ Guided touchscreen cooking makes it simple to cook by food, function or recipe
- ⑥ Moisture control and even heat distribution thanks to ActiveVent and AeroTech™ technology
- ⑦ 1.4L water tank
- ⑧ Wi-Fi enabled and works with the SmartHQ™ app for remote control and notifications
- ⑨ Steam Clean function ensures a spotless oven with minimal effort
- ⑩ Soft open and close door

## ACCESSORIES

- ⑥ Perforated Large Steam Dish\*
- ⑦ Perforated Small Steam Dish\*
- ⑧ Large Steam Dish\*
- ⑨ Wired Temperature Sensor\*
- ⑩ Catalytic Panel\*
- ⑪ Descale solution\* - 2 sachets (Part 580925)

\*Included with product

The models shown in this Planning Guide may not be available in all markets and are subject to change at any time. Product specifications may vary from those shown. This Planning Guide should not be used as installation guidance for any product. Further information is required to safely and correctly install the products featured here. Specific installation guidance will be available on our website [fisherpaykel.com](https://fisherpaykel.com)



## OVERVIEW

With timeless Contemporary styling, the Combination Microwave Oven fits seamlessly into any kitchen. As a companion product, this Microwave Oven is designed to install easily and fit perfectly with other companion products such as the Combination Steam Oven. A flexible appliance that pairs the speed of microwave cooking with oven technology, which can crisp and brown as it cooks. Featuring 22 cooking functions on an intuitive touch display for easy programming of desired cooking mode and duration.

## PRODUCTS

### OM76NDTDX1

Combination Microwave Oven, 76cm, 22 Function

## SERIES & STYLE

Series 9  
Contemporary Stainless Steel

## FEATURES

- ① Contemporary style, designed to fit flush with cabinetry
- ② 49L total capacity
- ③ Intuitive, large 5" touchscreen display with illuminated dial
- ④ Four microwave-only functions, 14 traditional oven functions, and four combination functions
- ⑤ A Wired Temperature Sensor precisely monitors cooking in real time
- ⑥ Guided cooking, with the option to access additional functionality via the SmartHQ™ app
- ⑦ Wi-Fi/Connected capability through the SmartHQ™ app
- ⑧ Soft open and close door

## ACCESSORIES

- ① Wire Shelf\*
- ② Chrome Shelf Runner\*
- ③ Step Down Wire Shelf\*
- ④ Grill Rack\*
- ⑤ Glass Tray\*
- ⑥ Wired Temperature Sensor\*

\*Included with product

The models shown in this Planning Guide may not be available in all markets and are subject to change at any time. Product specifications may vary from those shown. This Planning Guide should not be used as installation guidance for any product. Further information is required to safely and correctly install the products featured here. Specific installation guidance will be available on our website [fisherpaykel.com](https://fisherpaykel.com)



## OVERVIEW

The Built-in Coffee Maker features a stylish stainless steel finish and can be installed in multiple configurations to suit kitchen design and preference. With 13 beverage options, our Coffee Maker is designed to consistently pour delicious coffee – from Flat White to Latte or Americano. Favourite coffee styles are memorized for a fast brew with the push of a button. A programmable timer turns the Coffee Maker on at the ideal time each day, while the conical burr grinder delivers a consistent grind for a perfect coffee.

## PRODUCTS

### EB60DSX1

Built-in Coffee Maker, 60cm, Touchscreen, Stainless Steel

### TK7630NDX1

Companion Trim Kit, 76cm, Stainless Steel

Note: Trim Kit purchased separately.

## SERIES & STYLE

Series 9

Contemporary Stainless Steel

## FEATURES

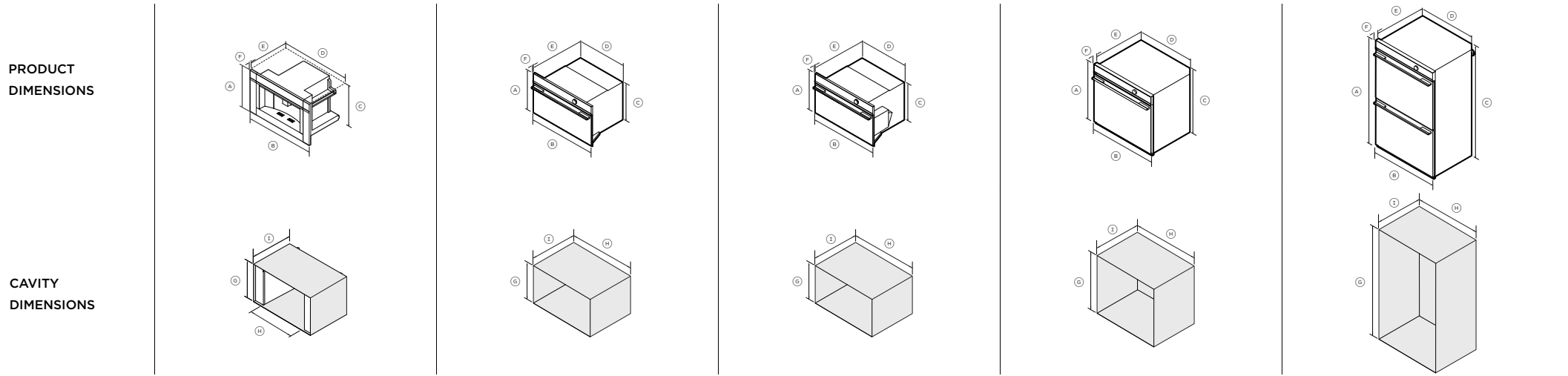
- ① Designed to pair perfectly with 76cm ovens and companion products
- ② Stylish stainless steel finish
- ③ Install in multiple configurations to suit your kitchen design
- ④ Intuitive touch display
- ⑤ 13 functions to suit any taste and selection – from Espresso to Latte
- ⑥ Personalised coffee and smart self-learning menu preferences
- ⑦ Stainless steel conical burr grinder with 13 coarseness positions
- ⑧ 15 bar pump pressure
- ⑨ Self-cleaning function and easy to empty coffee grounds container and drip tray
- ⑩ 2.5L water tank capacity

## ACCESSORIES

- ① Thermal milk jug 0.5L\*
- ② Water filter\*
- ③ Coffee spoon\*
- ④ Extractable steam outlet\*
- ⑤ Descaling agent bottle\*

\*Included with product

The models shown in this Planning Guide may not be available in all markets and are subject to change at any time. Product specifications may vary from those shown. This Planning Guide should not be used as installation guidance for any product. Further information is required to safely and correctly install the products featured here. Specific installation guidance will be available on our website [fisherpaykel.com](https://fisherpaykel.com)



**BUILT-IN COFFEE MAKER**  
EB60DSX1  
Trim Kit TK7630NDX1

**COMBINATION MICROWAVE OVEN**  
OM76NDTDX1

**COMBINATION STEAM OVEN**  
OS76NDTDX1

**OVEN**  
OB76SDPTDX2

**DOUBLE OVEN**  
OB76DDPTDX2

PRODUCT DIMENSIONS	BUILT-IN COFFEE MAKER EB60DSX1 Trim Kit TK7630NDX1	COMBINATION MICROWAVE OVEN OM76NDTDX1	COMBINATION STEAM OVEN OS76NDTDX1	OVEN OB76SDPTDX2	DOUBLE OVEN OB76DDPTDX2
Ⓐ Overall height	458mm**	458mm	458mm	690mm	1232mm
Ⓑ Overall width	760mm**	760mm	760mm	760mm	760mm
Ⓒ Chassis height	445mm	435mm	435mm	674mm	1218mm
Ⓓ Chassis width	560mm	720mm	720mm	720mm	720mm
Ⓔ Chassis depth	460mm	545mm	545mm	569mm	569mm
Ⓕ Front panel thickness	20mm**	20mm	20mm	40mm	40mm
Depth of oven door fully open	-	320mm*	320mm*	550mm*	Upper door 550mm* Lower door 530mm*

\* Measured from front of control panel

\*\* Measurements with trim kit

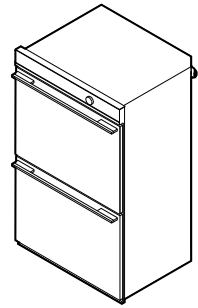
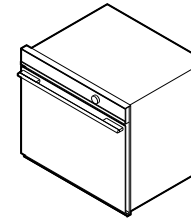
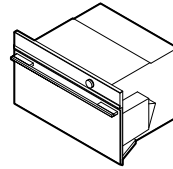
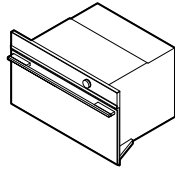
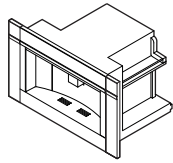
CAVITY DIMENSIONS - FLUSH INSTALLATION	BUILT-IN COFFEE MAKER EB60DSX1 Trim Kit TK7630NDX1	COMBINATION MICROWAVE OVEN OM76NDTDX1	COMBINATION STEAM OVEN OS76NDTDX1	OVEN OB76SDPTDX2	DOUBLE OVEN OB76DDPTDX2
Ⓒ Minimum inside height of cavity	450mm	440mm	440mm	681mm	1224mm
Ⓓ Minimum inside width of cavity	560mm**	724mm	724mm	724mm	724mm
Ⓙ Minimum inside depth of cavity***	580mm*	570mm*	570mm	615mm	615mm
Recommended cabinet width	764mm	764mm	764mm	764mm	764mm

\*Requires ventilation at the rear of the cavity

\*\*Cabinetry requires additional vertical sidewalls to secure the product

\*\*\*Measured from front of control panel

The models shown in this Planning Guide may not be available in all markets and are subject to change at any time. Product specifications may vary from those shown. This Planning Guide should not be used as installation guidance for any product. Further information is required to safely and correctly install the products featured here. Specific installation guidance will be available on our website [fisherpaykel.com](http://fisherpaykel.com)



**BUILT-IN COFFEE MAKER**  
EB60DSX1  
Trim Kit TK7630NDX1

**COMBINATION MICROWAVE OVEN**  
OM76NDTDX1

**COMBINATION STEAM OVEN**  
OS76NDTDX1

**OVEN**  
OB76SDPTDX2

**DOUBLE OVEN**  
OB76DDPTDX2

**POWER REQUIREMENTS**

Supply	220-240 V, 50 Hz	220-240 V, 50 Hz	220-240 V, 50 Hz	220-240 V, 50 Hz	220-240 V, 50 Hz
Service	10 A	20 A	20 A	20 A	40 A
Connection	Flex cord 1700mm	Hard wired	Hard wired	Hard wired	Hard wired

**WEIGHT**

Packaged	EB60DSX1 33kg	55kg	55kg	110kg	184kg
Unpackaged	EB60DSX1 24kg	46kg	46kg	75kg	139kg

**CAPACITY**

Total oven		49L	55L	115L	115L per oven
Total water tank	2.5L	-	1.4L	-	-

**SERVICES**

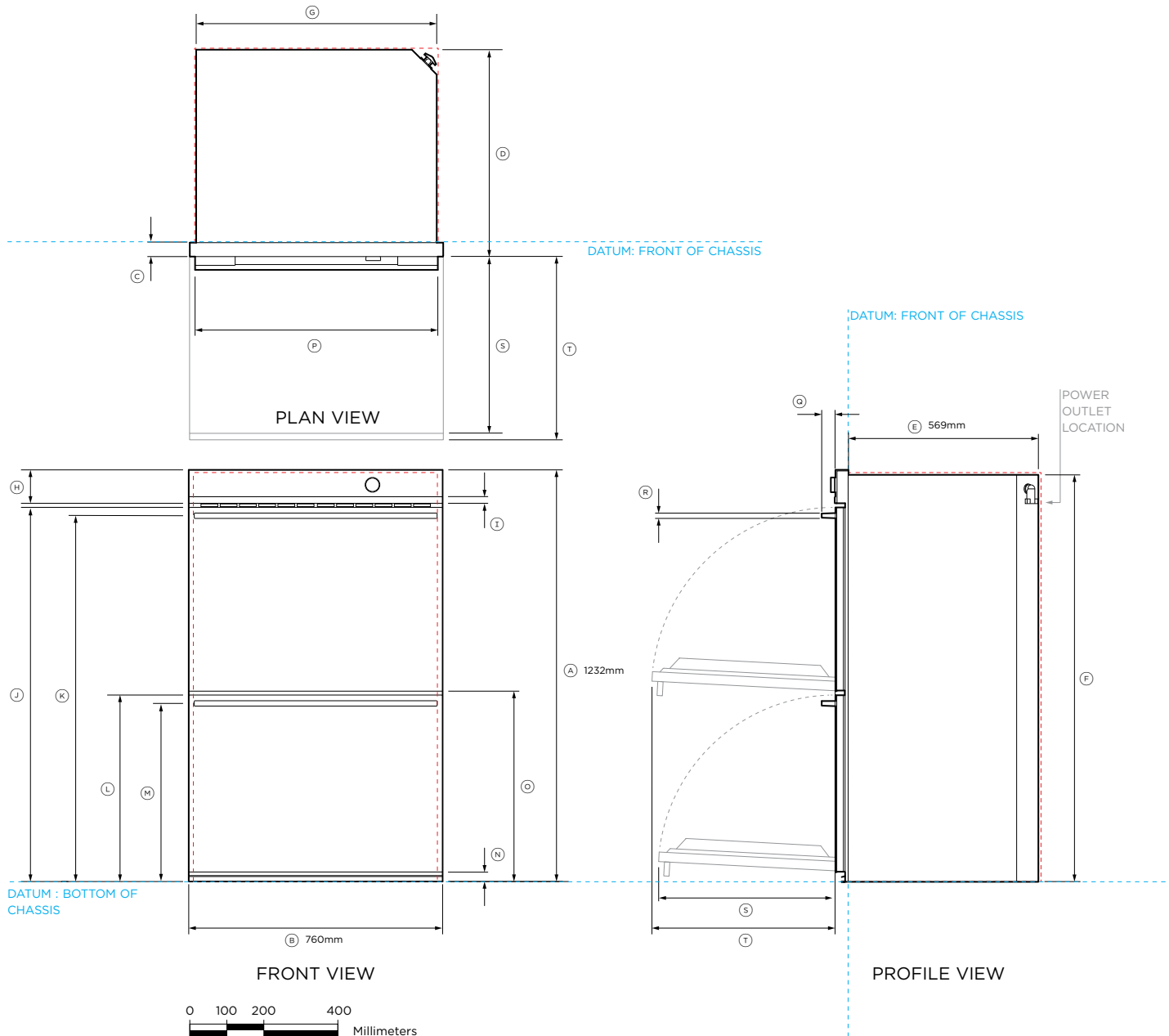
For more information on cord length, water supply and electrical requirements, refer to the 'Services' section of this Planning Guide.

**WATER**

All Coffee Makers and Steam Ovens have internal water tanks which need to be filled manually. No external water supply is required.

The models shown in this Planning Guide may not be available in all markets and are subject to change at any time. Product specifications may vary from those shown. This Planning Guide should not be used as installation guidance for any product. Further information is required to safely and correctly install the products featured here. Specific installation guidance will be available on our website [fisherpaykel.com](http://fisherpaykel.com)

## DATA SHEETS



**Model no:**

Double Oven, 76cm - OB76DDPTDX2

**Product Dimensions**

	<b>mm</b>
Ⓐ Overall height of product	1232
Ⓑ Overall width of product	760
Ⓒ Depth of control panel (excludes handle, front stainless steel trim and dial)	40
Ⓓ Depth of chassis and control panel (excludes handle, front stainless steel trim and dial)	609
Ⓔ Depth of chassis	569
Ⓕ Height of chassis	1218
Ⓖ Width of chassis	720
Ⓜ Height of control panel	100
Ⓜ Height of stainless steel trim on control panel	20
Ⓜ Height from bottom datum to top of upper oven door	1120
Ⓚ Height from bottom datum to centerline upper of handle	1095
Ⓛ Height from bottom datum to top of lower oven door	558
Ⓜ Height from bottom datum to centerline of lower handle	533
Ⓝ Height from bottom datum to bottom of lower door	29
Ⓞ Height from bottom datum to bottom of upper door	570
Ⓟ Width of handle	727
Ⓢ Depth of handle	42
Ⓣ Thickness of handle	16
Ⓝ Depth of lower door when open (measured from front of door)	530
Ⓞ Depth of upper door when open (measured from front of door)	550

**Minimum Clearances - Flush Installation**

	<b>mm</b>
Minimum inside height of cavity	1224
Minimum inside width of cavity	724
Minimum inside depth of cavity*	615
Minimum clearance above oven control panel to upper cabinetry front panel or appliance	2
Minimum clearance between bottom of oven chassis to lower cabinetry front panel or appliance	2

\*Measured from front of control panel

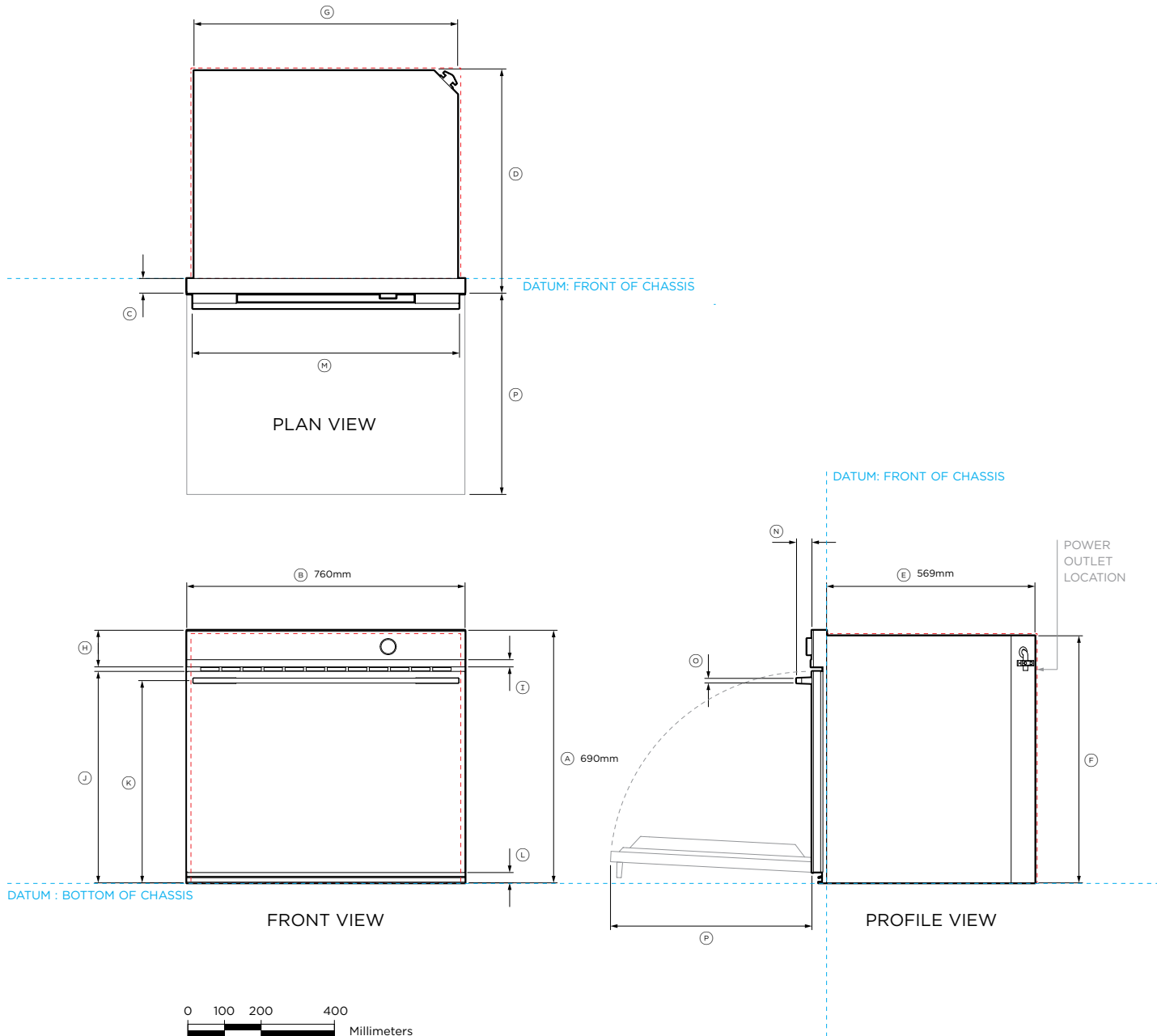
Note: Depending on cabinet panel thickness a rebate around control panel might be required.

IMPORTANT NOTE: For full installation and clearance details please refer to our installation manual.

INDICATES PRODUCT DATUM -----  
 INDICATES CABINETRY CLEARANCES -----

IMPORTANT NOTE: Throughout this guide, dimensions may vary by ±2mm (1/16"). Please read the Installation Guide for detailed information on installing the product. For full installation instructions visit fisherpaykel.com





**Model no:**

Oven, 76cm - OB76SDPTDX2

**Product Dimensions**

	<b>mm</b>
Ⓐ Overall height of product	690
Ⓑ Overall width of product	760
Ⓒ Depth of control panel (excludes handle, front black aluminum trim and dial)	40
Ⓓ Depth of chassis and control panel (excludes handle, front black aluminum trim and dial)	609
Ⓔ Depth of chassis	569
Ⓕ Height of chassis	674
Ⓖ Width of chassis	720
Ⓜ Height of control panel	100
Ⓣ Height of black aluminum trim on control panel	20
ⓙ Height from bottom datum to top of oven door	578
Ⓚ Height from bottom datum to centerline of handle	553
Ⓛ Height from bottom datum to bottom of door	28
Ⓜ Width of handle	727
Ⓝ Depth of handle	42
Ⓞ Thickness of handle	16
Ⓟ Depth of door when open (measured from front of door)	550

**Minimum Clearances - Flush Installation**

	<b>mm</b>
Minimum inside height of cavity	681
Minimum inside width of cavity	724
Minimum inside depth of cavity*	615
Minimum clearance above oven control panel to upper cabinetry front panel or appliance	2
Minimum clearance between bottom of oven chassis to lower cabinetry front panel or appliance	2

\*Measured from front of control panel

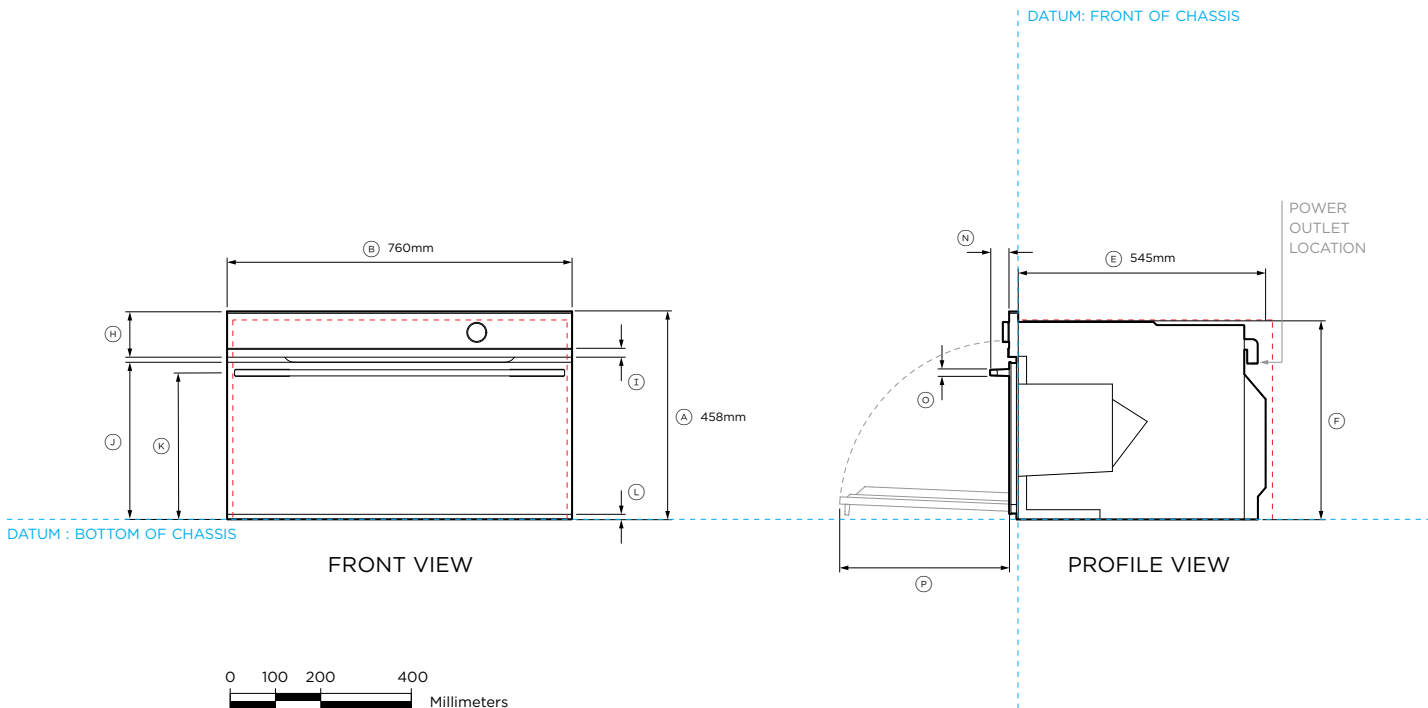
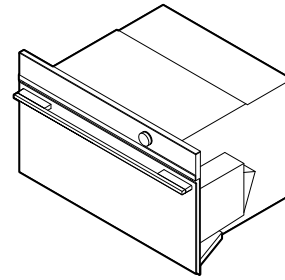
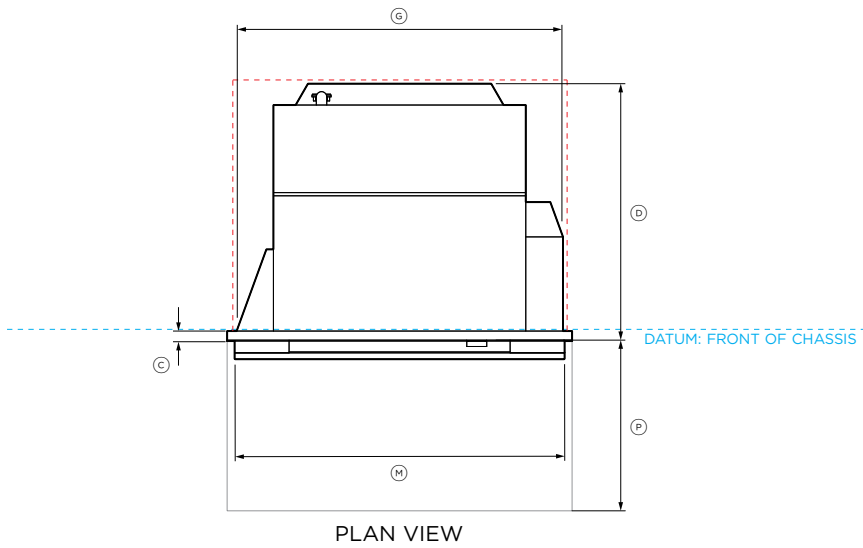
Note: Depending on cabinet panel thickness a rebate around control panel might be required.

Ensure a 5mm minimum clearance is maintained between the top of the oven chassis and the cabinetry. Ensure the oven is not bearing any weight from cabinetry or products installed above.

IMPORTANT NOTE: For full installation and clearance details please refer to our installation manual.

INDICATES PRODUCT DATUM -----  
 INDICATES CABINERY CLEARANCES -----

IMPORTANT NOTE: Throughout this guide, dimensions may vary by ±2mm (1/16"). Please read the Installation Guide for detailed information on installing the product. For full installation instructions visit fisherpaykel.com



**Model no:**

Combination Steam Oven, 76cm - OS76NDTDX1

**Product Dimensions**

	mm
A Overall height of product	458
B Overall width of product	760
C Depth of control panel (excludes handle, front black aluminum trim and dial)	20
D Depth of chassis and control panel (excludes handle, front black aluminum trim and dial)	565
E Depth of chassis	545
F Height of chassis	435
G Width of chassis	720
H Height of control panel	100
I Height of black aluminum trim on control panel	20
J Height from bottom datum to top of oven door	347
K Height from bottom datum to centerline of handle	324
L Height from bottom datum to bottom of door	12
M Width of handle	727
N Depth of handle	42
O Thickness of handle	16
P Depth of door when open (measured from front of door)	320

**Minimum Clearances - Flush Installation**

	mm
Minimum inside height of cavity	440
Minimum inside width of cavity	724
Minimum inside depth of cavity*	570
Minimum clearance above oven control panel to upper cabinetry front panel or appliance	2
Minimum clearance between bottom of oven chassis to lower cabinetry front panel or appliance	2

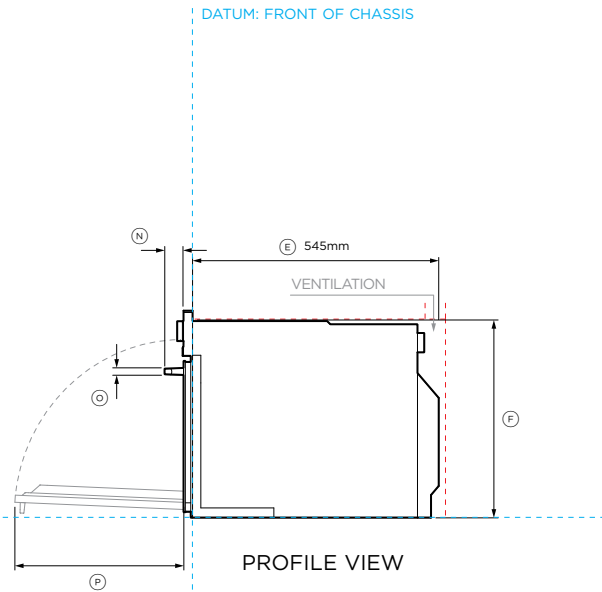
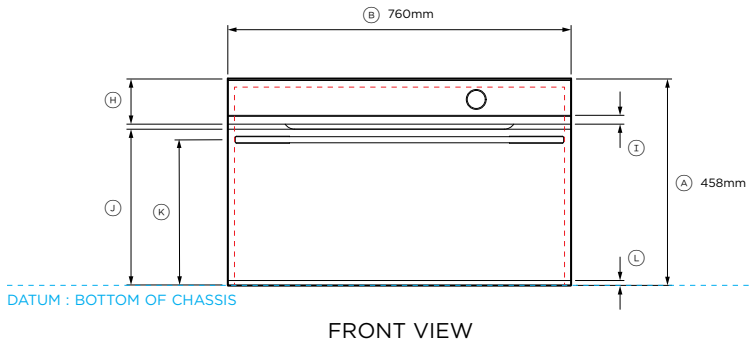
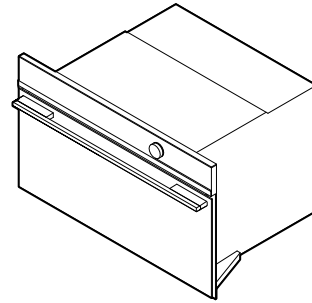
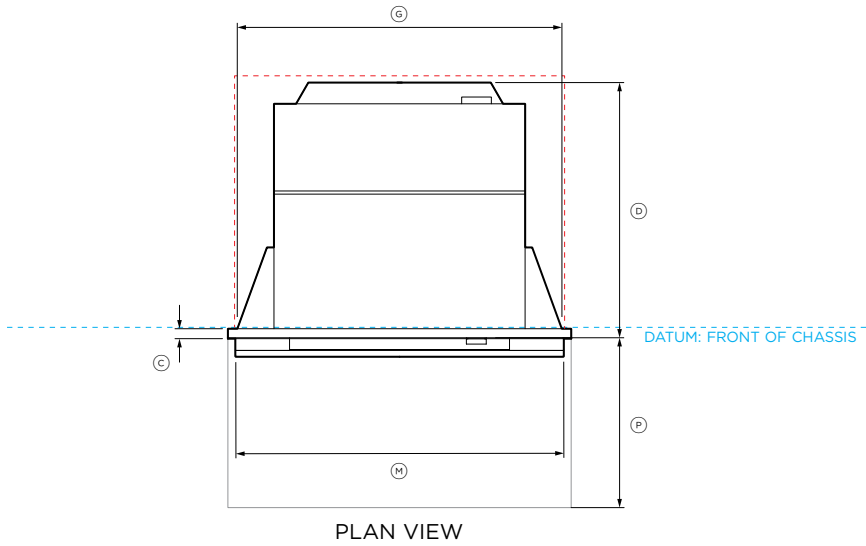
\*Measured from front of control panel

Ensure a 5mm minimum clearance is maintained between the top of the oven chassis and the cabinetry. Ensure the oven is not bearing any weight from cabinetry or products installed above.

IMPORTANT NOTE: For full installation and clearance details please refer to our installation manual.

INDICATES PRODUCT DATUM -----  
INDICATES CABINETRY CLEARANCES -----

IMPORTANT NOTE: Throughout this guide, dimensions may vary by ±2mm (1/16"). Please read the Installation Guide for detailed information on installing the product. For full installation instructions visit fisherpaykel.com



**Model no:**

Combination Microwave Oven 76cm - OM76NDTDX1

**Product Dimensions**

	mm
A Overall height of product	458
B Overall width of product	760
C Depth of control panel (excludes handle, front black aluminum trim and dial)	20
D Depth of chassis and control panel (excludes handle, front black aluminum trim and dial)	565
E Depth of chassis	545
F Height of chassis	435
G Width of chassis	720
H Height of control panel	100
I Height of black aluminum trim on control panel	20
J Height from bottom datum to top of oven door	347
K Height from bottom datum to centerline of handle	324
L Height from bottom datum to bottom of door	12
M Width of handle	727
N Depth of handle	42
O Thickness of handle	16
P Depth of door when open (measured from front of door)	320

**Minimum Clearances - Flush Installation**

	mm
Minimum inside height of cavity	440
Minimum inside width of cavity	724
Minimum inside depth of cavity*	570
Rear ventilation depth**	50
Rear ventilation width**	560
Minimum clearance above oven control panel to upper cabinetry front panel or appliance	2
Minimum clearance between bottom of oven chassis to lower cabinetry front panel or appliance	2

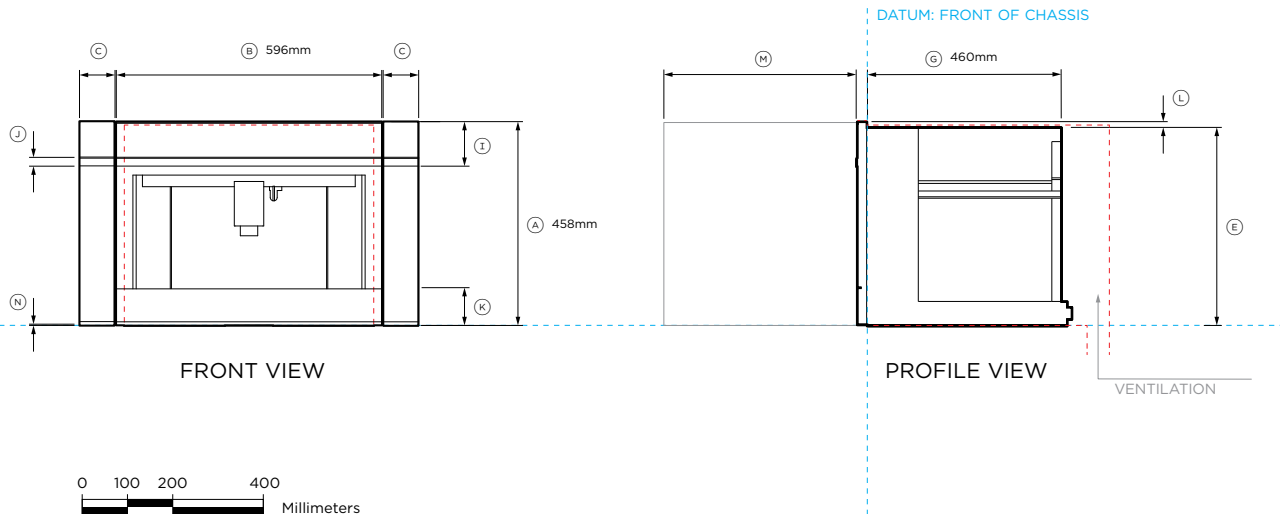
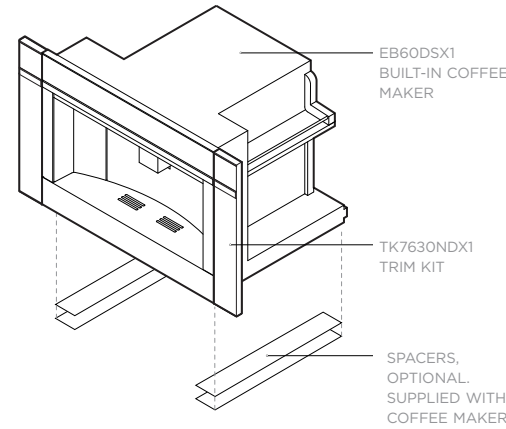
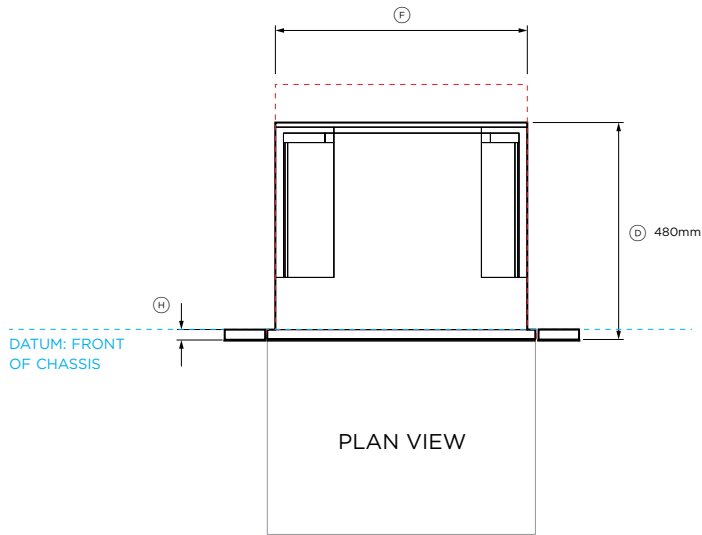
\*Measured from front of control panel

\*\*Rear ventilation totalling 280cm<sup>2</sup> is required. The air vent must be located at the rear of cabinet, it can be positioned at the base, sides, back or top of the cavity.

IMPORTANT NOTE: For full installation and clearance details please refer to our installation manual.

INDICATES PRODUCT DATUM -----  
INDICATES CABINETRY CLEARANCES - - - - -

IMPORTANT NOTE: Throughout this guide, dimensions may vary by ±2mm (1/16"). Please read the Installation Guide for detailed information on installing the product. For full installation instructions visit fisherpaykel.com



**Model no:**

Built-in Coffee Maker, 60cm - EB60DSX1  
Trim Kit, 76cm - TK7630NDX1

**Product Dimensions**

	<b>mm</b>
(A) Overall height of built-in coffee maker and trim kit	458
(B) Overall width of built-in coffee maker	596
(C) Overall width of trim kit	79
(D) Overall depth of built-in coffee maker and trim kit (excludes front metal trim)	480
(E) Height of chassis of built-in coffee maker	445
(F) Width of chassis of built-in coffee maker	560
(G) Depth of chassis of built-in coffee maker	460
(H) Depth of coffee maker front frame and control panel (excludes front metal trim)	20
(I) Height of control panel	100
(J) Height of metal cap on control panel	20
(K) Height of horizontal lower section from bottom datum	85
(L) Stepdown from control panel to chassis	13
(M) Extent built-in coffee maker pulls out (measured from glass front)	435
(N) Height from bottom datum to lower edge of glass	3

**Minimum Clearances - Flush Installation**

	<b>mm</b>
Minimum inside height of cavity	450
Minimum inside width of cavity	560
Minimum inside depth of cavity*	580
Rear ventilation depth**	50
Rear ventilation width**	560
Minimum clearance above Trim Kit to upper cabinetry front panel or appliance	2
Minimum clearance between bottom of Trim Kit to lower cabinetry front panel or appliance	2

\*Measured from front of control panel

\*\*Rear ventilation totalling 280cm<sup>2</sup> is required. The air vent must be located at the rear of cabinet, it can be positioned at the base, sides, back or top of the cavity.

IMPORTANT NOTE: For full installation and clearance details please refer to our installation manual.

INDICATES PRODUCT DATUM -----  
INDICATES CABINETRY CLEARANCES -----

IMPORTANT NOTE: Throughout this guide, dimensions may vary by ±2mm (1/16"). Please read the Installation Guide for detailed information on installing the product. For full installation instructions visit [fisherpaykel.com](http://fisherpaykel.com)

## PLANNING CONSIDERATIONS

**DIVIDING SHELF**

If the appliance front panel is thicker than the cabinetry front panel, adjust the dividing shelf depth to ensure the oven sits flush with the front of the cabinetry.

**BLACK CLASHING**

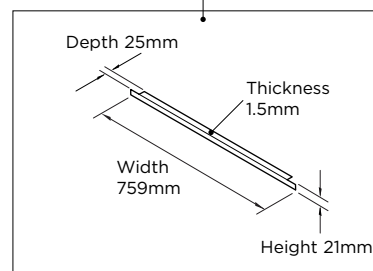
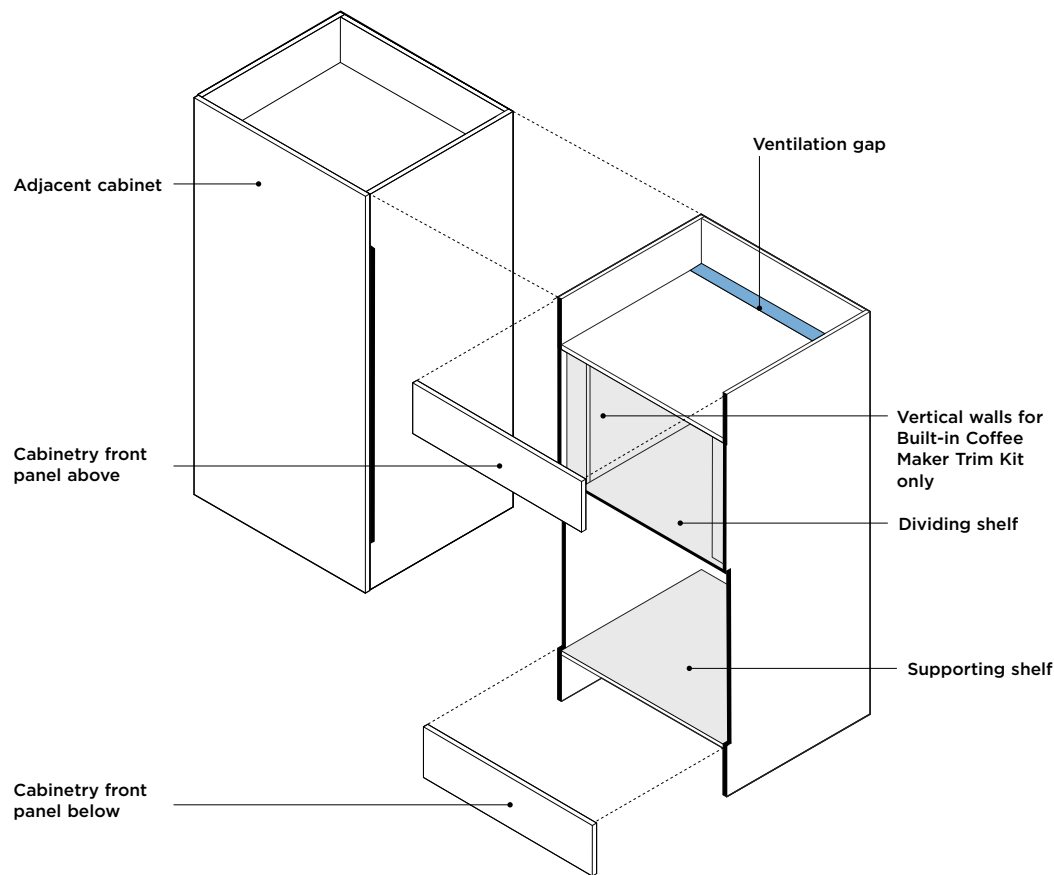
Black clashing is recommended on front facing edges where products are located and on side cabinets if cabinet is rebated.

**OVEN CABINETRY TRIM**

If using light-colored cabinets, we recommend using black cabinetry trim to help hide the cabinetry beneath the front door panel of the appliance. Ensure the trim height does not interfere with any appliances or cabinetry below. Black cabinetry trim is included with ovens.

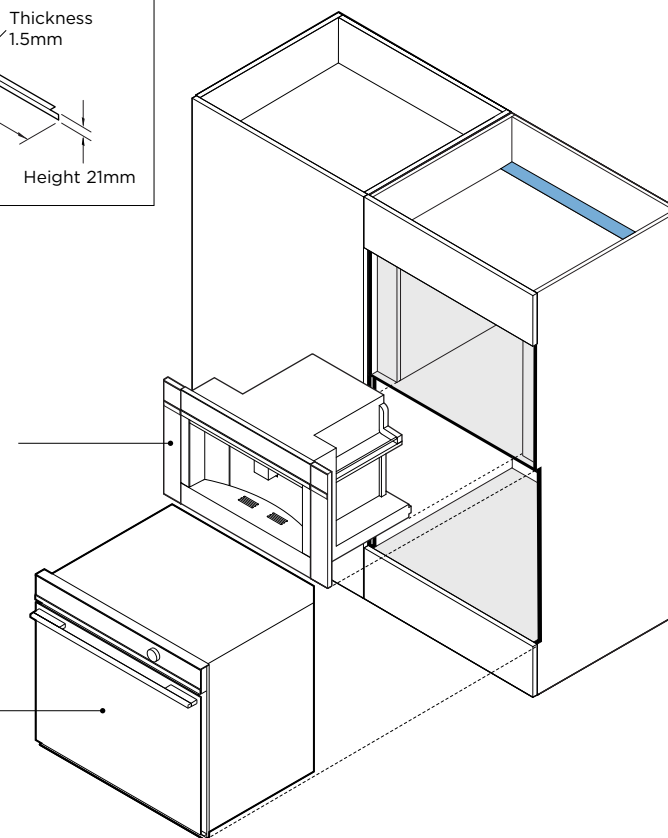
**LEVEL CABINETRY**

Check the shelves are level and the side panels are straight.



Combination Steam Oven or Convection Speed Oven or Built-in Coffee Maker

Oven



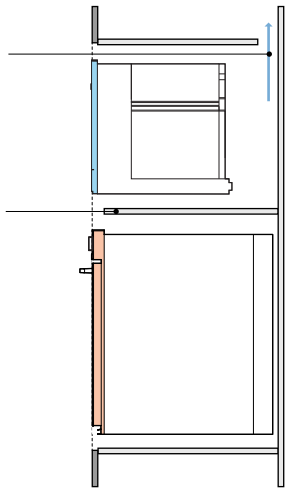
The models shown in this Planning Guide may not be available in all markets and are subject to change at any time. Product specifications may vary from those shown. This Planning Guide should not be used as installation guidance for any product. Further information is required to safely and correctly install the products featured here. Specific installation guidance will be available on our website [fisherpaykel.com](http://fisherpaykel.com)

Ventilation air vent is required at rear for some products.

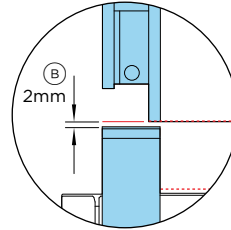
Dividing shelves are required to support stacked appliances and to achieve correct clearance.

Dividing shelves must be constructed from material that will support the weight of the appliances.

Ensure the oven is not bearing any weight from cabinetry or products installed above.



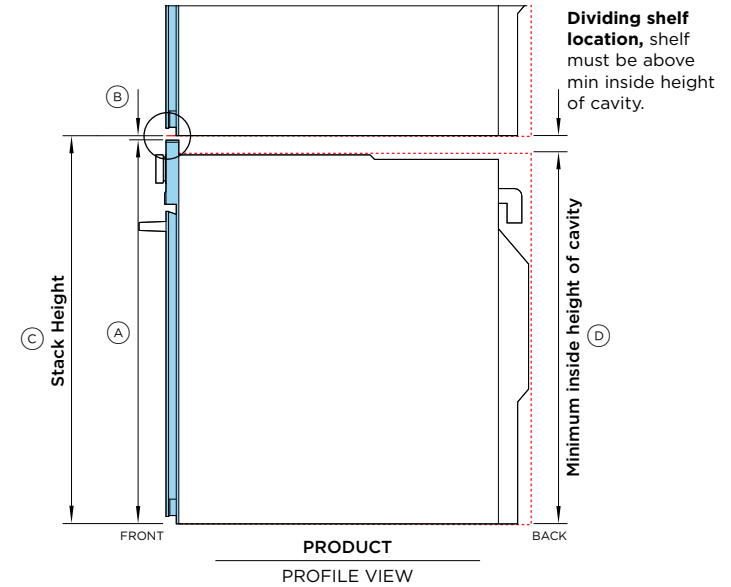
STACK EXPLODED PROFILE VIEW



Minimum clearance above appliance control panel to upper appliance

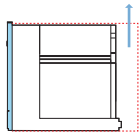
**STACK HEIGHT**

$$\textcircled{A} \text{ Overall product height} + \textcircled{B} \text{ Minimum clearance above appliance control panel or front panel to upper appliance} = \textcircled{C} \text{ Stacked Height}$$

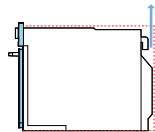


PRODUCT PROFILE VIEW

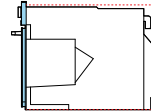
**MINIMUM DIMENSION CLEARANCES**



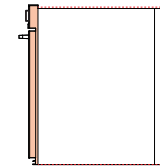
**BUILT-IN COFFEE MAKER**  
EB60DSX1  
Trim Kit TK7630NDX1



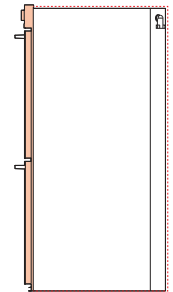
**COMBINATION MICROWAVE OVEN**  
OM76NDTDX1



**COMBINATION STEAM OVEN**  
OS76NDTDX1



**OVEN**  
OB76SDPTDX2



**DOUBLE OVEN**  
OB76DDPTDX2

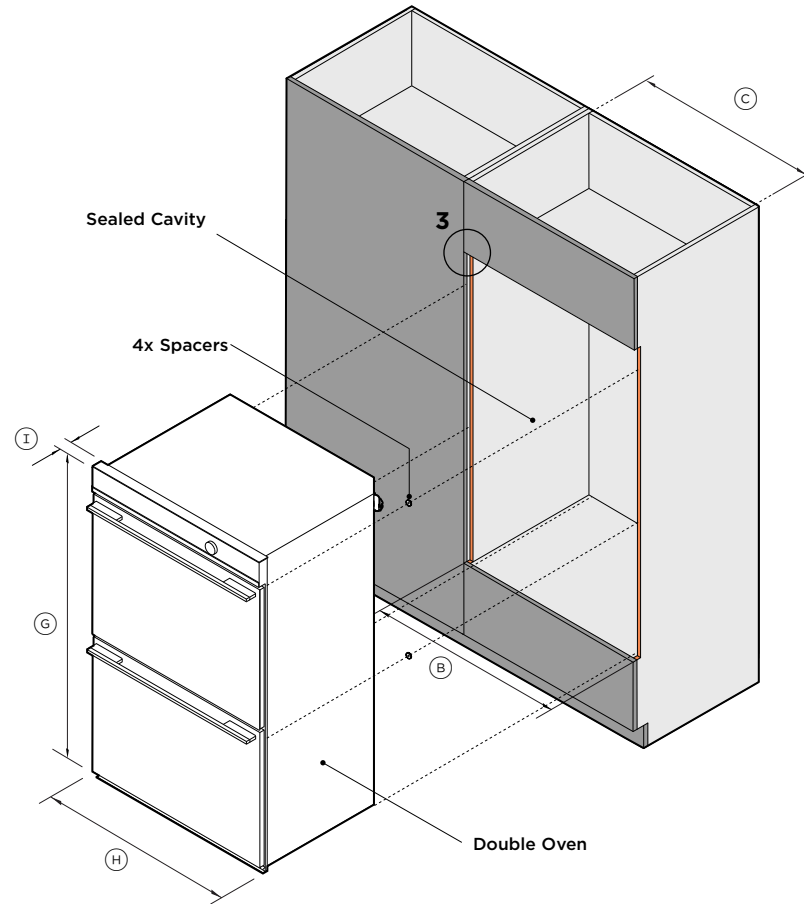
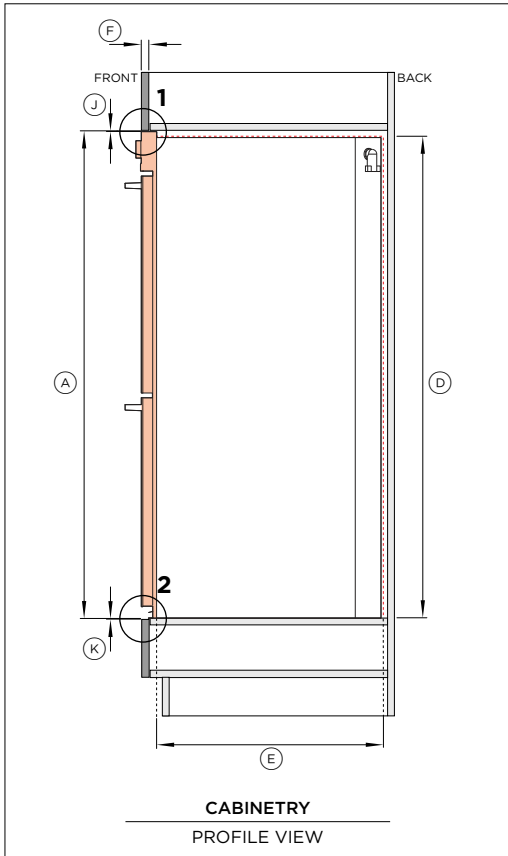
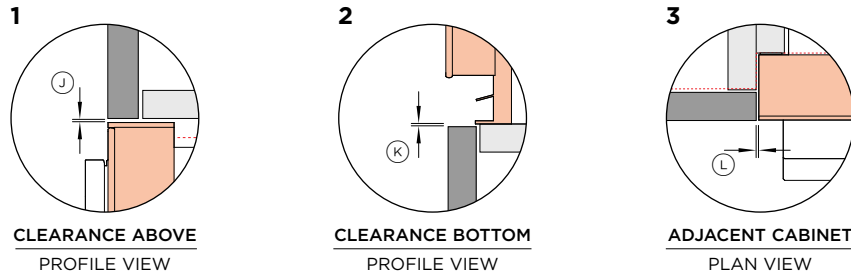
**DIMENSIONS**

Ⓐ Overall product height	458mm*	458mm	458mm	690mm	1232mm
Ⓑ Minimum clearance above	-	2mm	2mm	2mm	2mm
Ⓒ Stack height	460mm	460mm	460mm	692mm	1234mm
Ⓓ Minimum inside height of cavity	440mm	440mm	440mm	681mm	1224mm

\*Includes Built-in Coffee Maker rail height

**NOTE:** Stack height is overall product height with minimum clearance above appliance control panel or front panel to upper appliance.

The models shown in this Planning Guide may not be available in all markets and are subject to change at any time. Product specifications may vary from those shown. This Planning Guide should not be used as installation guidance for any product. Further information is required to safely and correctly install the products featured here. Specific installation guidance will be available on our website fisherpaykel.com



**Model no:**

Double Oven, 76cm - OB76DDPTDX2

<b>Cabinetry Dimensions - Flush Installation</b>		<b>mm</b>
Ⓐ	Overall cabinet height*	1234
Ⓑ	Overall cabinet width - single installation	764
Ⓒ	Minimum inside width of cavity	724
Ⓓ	Minimum inside height of cavity	1224
Ⓔ	Minimum inside depth of cavity	575
Ⓕ	Thickness of cabinetry front panel**	16-20

\*Overall cabinet height is overall product height with minimum clearance above oven control panel to upper cabinetry front panel.

\*\*Cabinetry shown in drawings 19mm panels.

Note: Oven requires 2mm spacers for screws (supplied x 4).

<b>Product Dimensions</b>		<b>mm</b>
Ⓖ	Overall height of product	1232
Ⓗ	Overall width of product	760
Ⓘ	Thickness of oven control panel*	40

\*If the oven control panel is thicker than 20mm, adjust the panel above and below to ensure the oven sits flush with the front of the cabinetry.

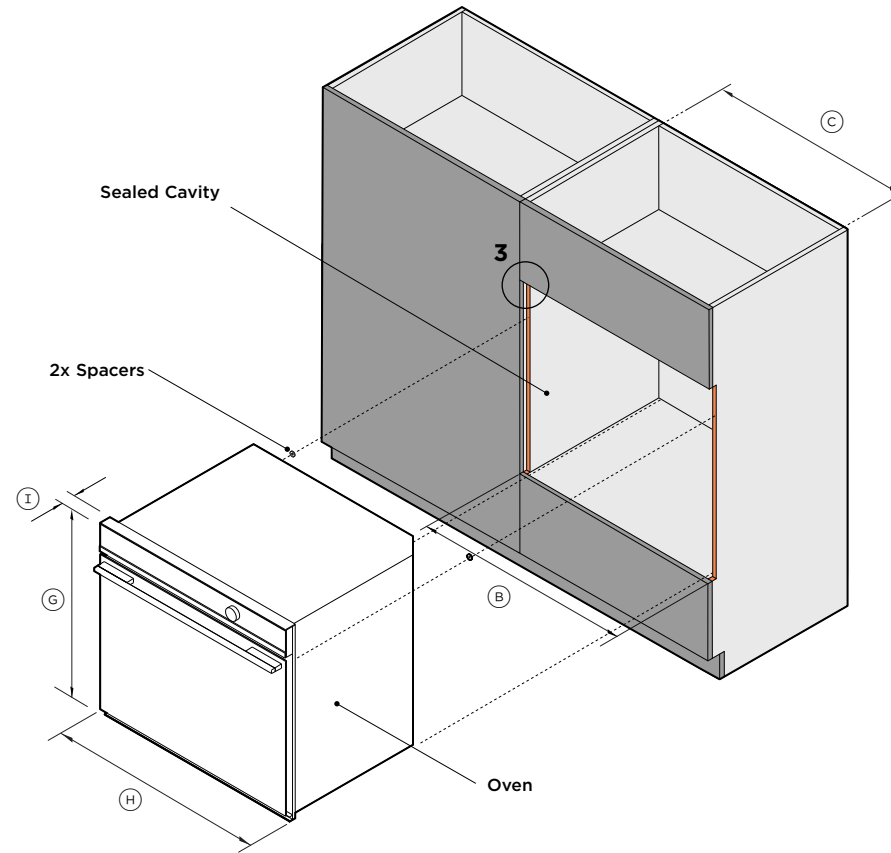
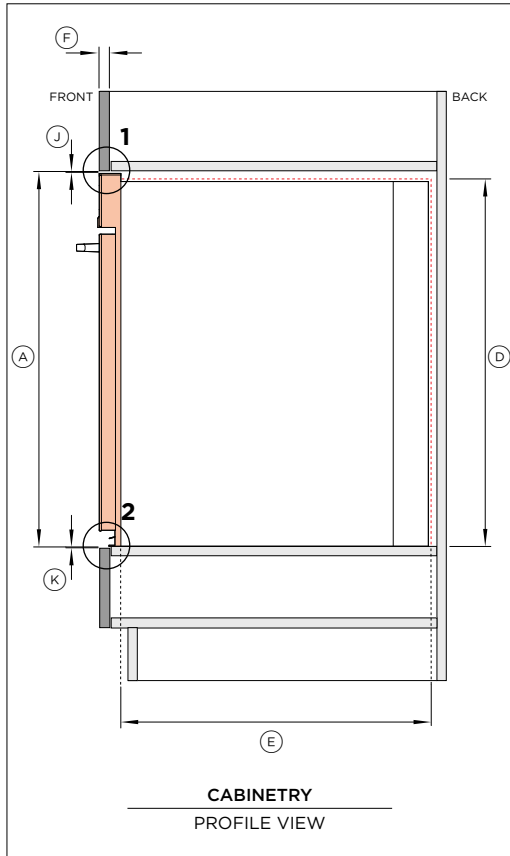
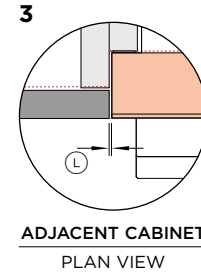
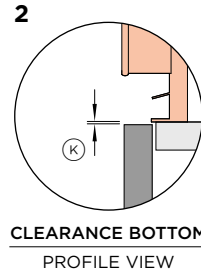
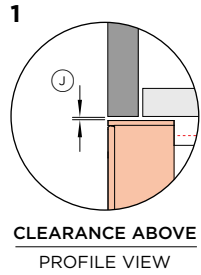
<b>Cabinetry Clearances</b>		<b>mm</b>
⓵	Minimum clearance above oven control panel to upper cabinetry front panel	2
⓶	Minimum clearance between bottom of oven chassis to lower cabinetry front panel	2
⓷	Minimum clearance between adjacent front panel or appliance	2

The models shown in this Planning Guide may not be available in all markets and are subject to change at any time. Product specifications may vary from those shown. This Planning Guide should not be used as installation guidance for any product. Further information is required to safely and correctly install the products featured here. Specific installation guidance will be available on our website [fisherpaykel.com](http://fisherpaykel.com)



**COOKTOP CLEARANCE**

If installing a cooktop above the oven, ensure adequate clearance is provided for the cooktop as per the cooktop manufacturer's instructions.



**Model no:**  
Oven, 76cm - OB76SDPTDX2

<b>Cabinetry Dimensions - Flush Installation</b>		<b>mm</b>
Ⓐ	Overall cabinet height*	692
Ⓑ	Overall cabinet width - single installation	764
Ⓒ	Minimum inside width of cavity	724
Ⓓ	Minimum inside height of cavity	681
Ⓔ	Minimum inside depth of cavity	575
Ⓕ	Thickness of cabinetry front panel**	16-20

\*Overall cabinet height is overall product height with minimum clearance above oven control panel to upper cabinetry front panel.  
\*\*Cabinetry shown in drawings 19mm panels.

Note: Oven requires 2mm spacers for screws (supplied x 2).

<b>Product Dimensions</b>		<b>mm</b>
Ⓖ	Overall height of product	690
Ⓗ	Overall width of product	760
Ⓘ	Thickness of oven control panel*	40

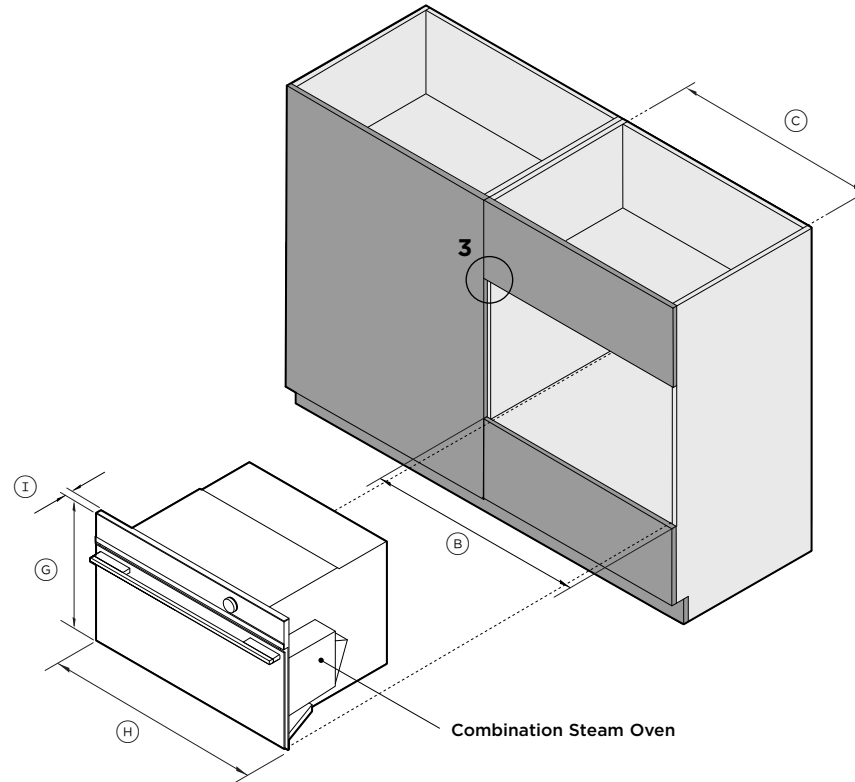
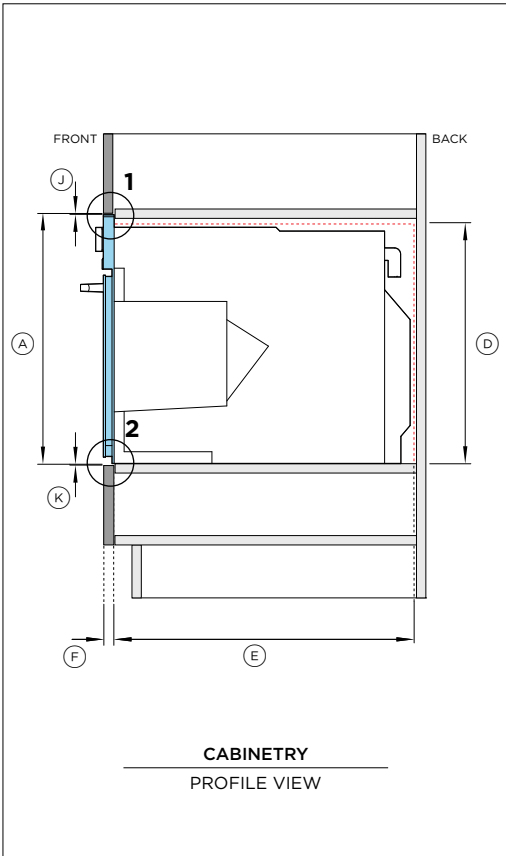
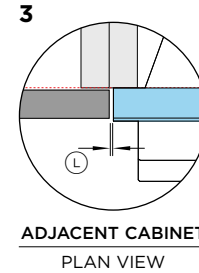
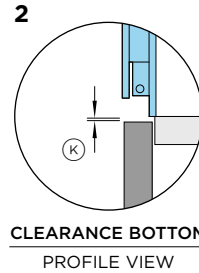
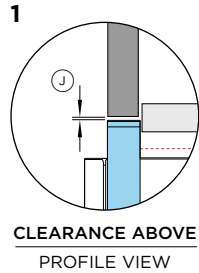
\*If the oven control panel is thicker than 20mm, adjust the panel above and below to ensure the oven sits flush with the front of the cabinetry.

<b>Cabinetry Clearances</b>		<b>mm</b>
Ⓙ	Minimum clearance above oven control panel to upper cabinetry front panel	2
Ⓚ	Minimum clearance between bottom of oven chassis to lower cabinetry front panel	2
Ⓛ	Minimum clearance between adjacent front panel or appliance	2

The models shown in this Planning Guide may not be available in all markets and are subject to change at any time. Product specifications may vary from those shown. This Planning Guide should not be used as installation guidance for any product. Further information is required to safely and correctly install the products featured here. Specific installation guidance will be available on our website fisherpaykel.com

**COOKTOP CLEARANCE**

If installing a cooktop above the oven, ensure adequate clearance is provided for the cooktop as per the cooktop manufacturer's instructions.



**Model no:**  
Combination Steam Oven, 76cm - OS76NDTDX1

<b>Cabinetry Dimensions - Flush Installation</b>		<b>mm</b>
Ⓐ	Overall cabinet height*	460
Ⓑ	Overall cabinet width - single installation	764
Ⓒ	Minimum inside width of cavity	724
Ⓓ	Minimum inside height of cavity	440
Ⓔ	Minimum inside depth of cavity	550
Ⓕ	Thickness of cabinetry front panel**	16-20

\*Overall cabinet height is overall product height with minimum clearance above oven control panel to upper cabinetry front panel.  
\*\*Cabinetry shown in drawings 19mm panels.

Note: Concider placement of shelf above minimum inside height of cavity.

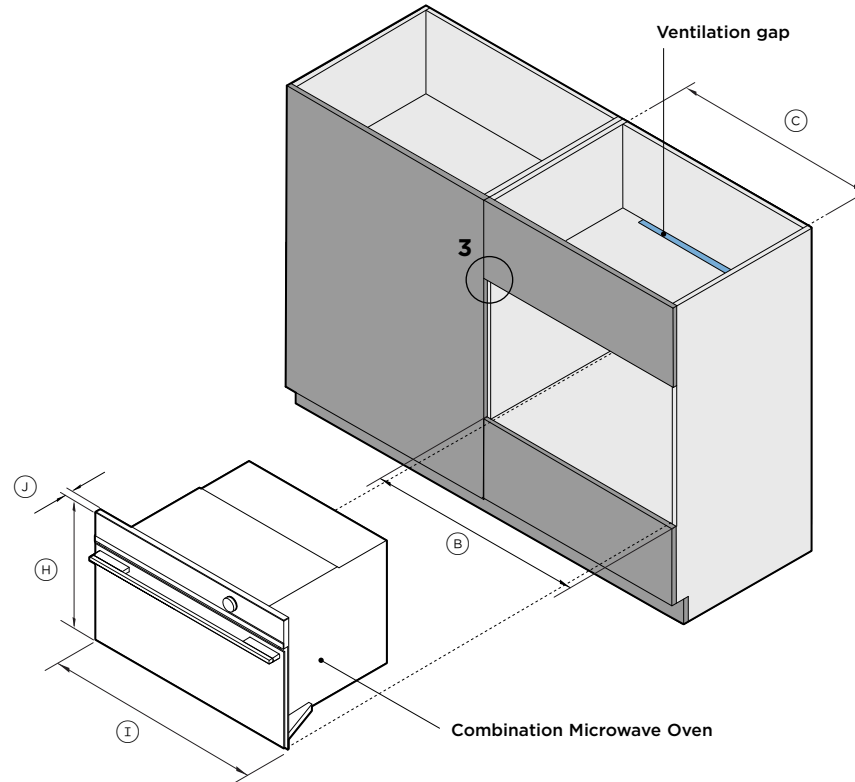
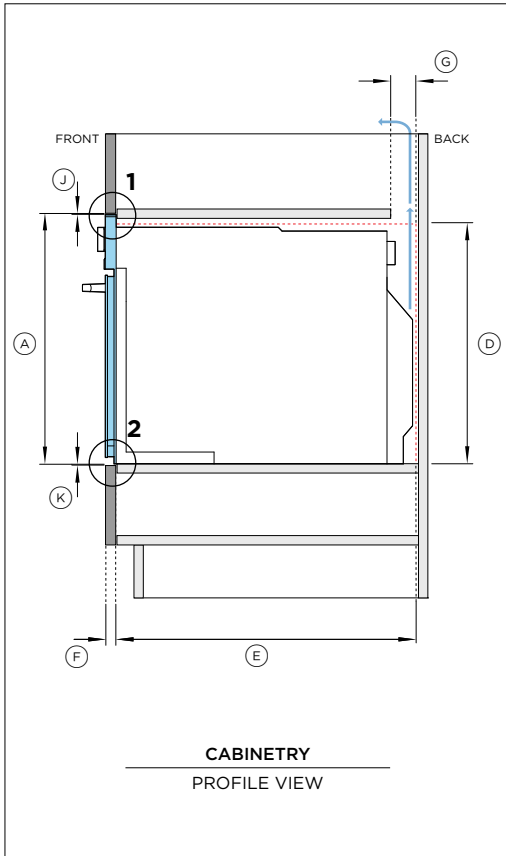
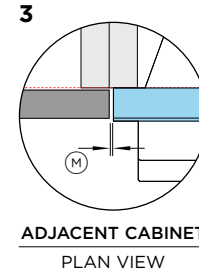
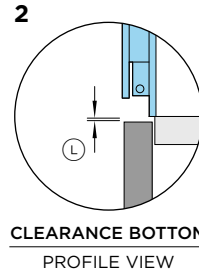
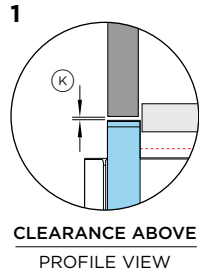
<b>Product Dimensions</b>		<b>mm</b>
Ⓒ	Overall height of product	458
Ⓓ	Overall width of product	760
Ⓕ	Thickness of oven front panel	20

<b>Cabinetry Clearances</b>		<b>mm</b>
Ⓐ	Minimum clearance above oven control panel to upper cabinetry front panel	2
Ⓑ	Minimum clearance between bottom of oven chassis to lower cabinetry front panel	2
Ⓒ	Minimum clearance between adjacent front panel or appliance	2

The models shown in this Planning Guide may not be available in all markets and are subject to change at any time. Product specifications may vary from those shown. This Planning Guide should not be used as installation guidance for any product. Further information is required to safely and correctly install the products featured here. Specific installation guidance will be available on our website [fisherpaykel.com](http://fisherpaykel.com)

**VENTILATION**

Ventilation of 50mm x 560mm or totalling 280cm<sup>2</sup> is required. The air vent must be located at the rear of cabinet, it can be positioned at the base, top, sides, or back.



**Model no:**  
Combination Microwave Oven, 76cm - OM76NDTDX1

<b>Cabinetry Dimensions - Flush Installation</b>		<b>mm</b>
Ⓐ	Overall cabinet height*	460
Ⓑ	Overall cabinet width - single installation	764
Ⓒ	Minimum inside width of cavity	724
Ⓓ	Minimum inside height of cavity	440
Ⓔ	Minimum inside depth of cavity	550
Ⓕ	Thickness of cabinetry front panel**	16-20
Ⓖ	Ventilation gap***	50

\*Overall cabinet height is overall product height with minimum clearance above oven control panel to upper cabinetry front panel.  
 \*\*Cabinetry shown in drawings 19mm panels.  
 \*\*\*A rear ventilation air vent totalling 280cm<sup>2</sup> is required. The air vent must be located at the rear of the cabinet, it can be positioned at the base, sides, back or top of the cavity.

Note: Consider placement of shelf above minimum inside height of cavity.

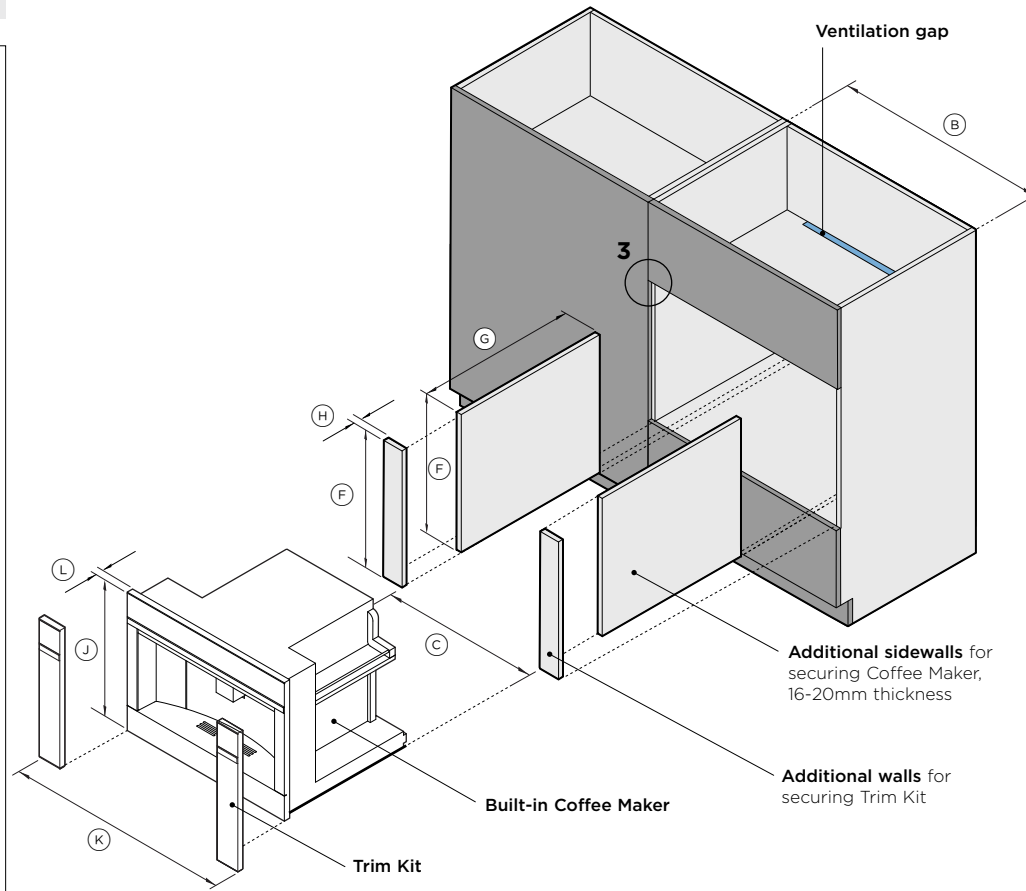
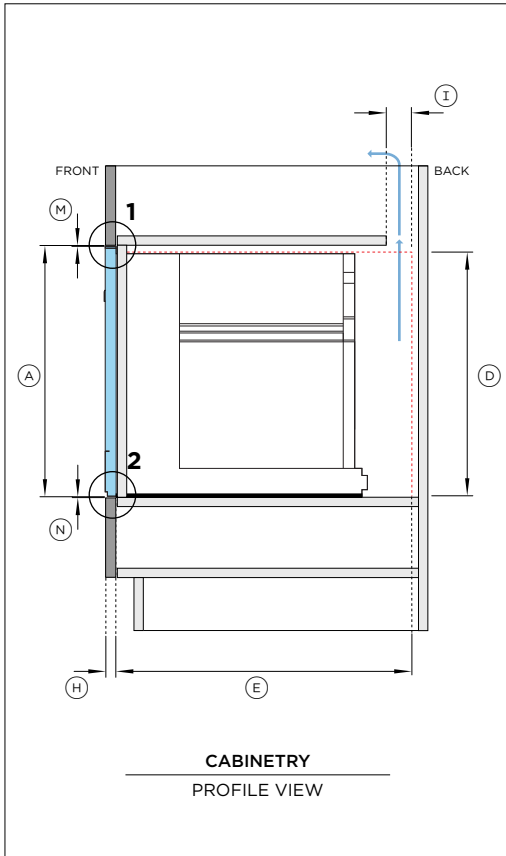
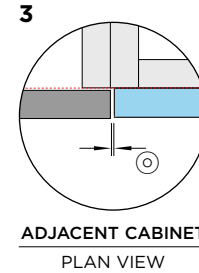
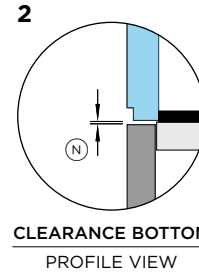
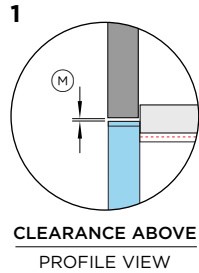
<b>Product Dimensions</b>		<b>mm</b>
Ⓜ	Overall height of product	458
Ⓨ	Overall width of product	760
Ⓦ	Thickness of oven front panel	20

<b>Cabinetry Clearances</b>		<b>mm</b>
Ⓚ	Minimum clearance above oven control panel to upper cabinetry front panel	2
Ⓛ	Minimum clearance between bottom of oven chassis to lower cabinetry front panel	2
Ⓝ	Minimum clearance between adjacent front panel or appliance	2

The models shown in this Planning Guide may not be available in all markets and are subject to change at any time. Product specifications may vary from those shown. This Planning Guide should not be used as installation guidance for any product. Further information is required to safely and correctly install the products featured here. Specific installation guidance will be available on our website fisherpaykel.com

**VENTILATION**

Ventilation of 50mm x 560mm or totalling 280cm<sup>2</sup> is required. The air vent must be located at the rear of cabinet, it can be positioned at the base, top, sides, or back.



**Model no:**  
Built-in Coffee Maker, 60cm - EB60DSX1  
Trim Kit, 76cm - TK7630NDX1

<b>Cabinetry Dimensions - Flush Installation</b>		<b>mm</b>
Ⓐ	Overall cabinet height with trim kit*	460
Ⓑ	Overall cabinet width - single installation	764
Ⓒ	Minimum inside width of cavity	560
Ⓓ	Minimum inside height of cavity	450
Ⓔ	Minimum inside depth of cavity	580
Ⓕ	Minimum height of additional side walls	450
Ⓖ	Minimum depth of additional side walls**	561
Ⓗ	Thickness of cabinetry front panel**	16-20
Ⓘ	Ventilation gap***	50

\*Overall cabinet height is overall product height with minimum clearance above coffee maker control panel to upper cabinetry front panel  
\*\*Cabinetry shown in drawings 19mm panels.  
\*\*\*A rear ventilation air vent totalling 280cm<sup>2</sup> is required. The air vent must be located at the rear of the cabinet, it can be positioned at the base, sides, back or top of the cavity.

Note: Consider placement of shelf above minimum inside height of cavity.

<b>Product Dimensions</b>		<b>mm</b>
Ⓘ	Overall height of built-in coffee maker and trim kit	458
Ⓚ	Overall width of built-in coffee maker and trim kit	760
Ⓛ	Thickness of built-in coffee maker and trim kit front panel	20

<b>Cabinetry Clearances</b>		<b>mm</b>
Ⓜ	Minimum clearance above trim kit front panel to upper cabinetry front panel	2
Ⓝ	Minimum clearance between bottom of trim kit to lower cabinetry front panel	2
Ⓞ	Minimum clearance between adjacent front panel or appliance	2

The models shown in this Planning Guide may not be available in all markets and are subject to change at any time. Product specifications may vary from those shown. This Planning Guide should not be used as installation guidance for any product. Further information is required to safely and correctly install the products featured here. Specific installation guidance will be available on our website fisherpaykel.com

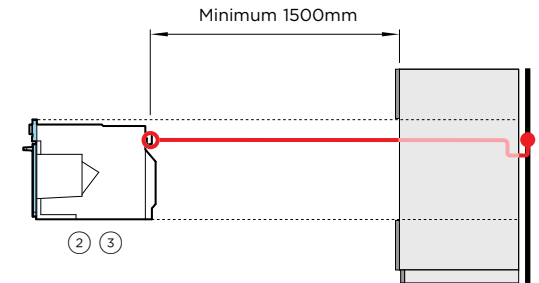
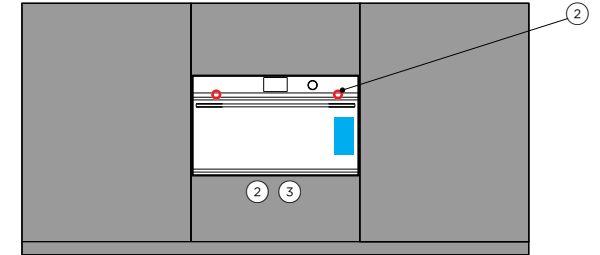
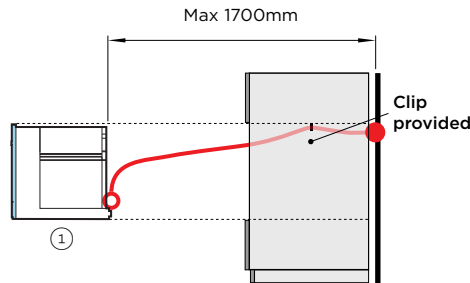
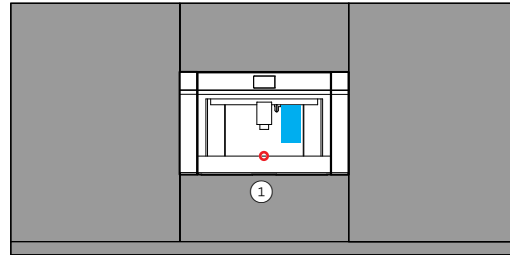
## SERVICES



**CONNECTION**

Connections may be located in an adjacent cabinet to either side of the appliance.  
Ensure power will remain accessible following install to allow access for any future product maintenance.

**BUILT-IN COFFEE MAKER**

The power cable must be long enough to allow the appliance to be extracted from the cabinet to fill the coffee bean container. Fix the power cable with the clip.



-  Power Cable
-  Water Tank

① BUILT-IN COFFEE MAKER  
EB60DSX1

② COMBINATION MICROWAVE OVEN  
OM76NDTDX1

③ COMBINATION STEAM OVEN  
OS76NDTDX1

**POWER CORD**

Maximum power cord length	1700mm*	-	-
Power cord free length	-	Minimum 1500mm**	Minimum 1500mm**
Location	Lower centered	Upper right	Upper left
Connection	Flex cord	Hard wired***	Hard wired***

\*Measured from power outlet

\*\*The electrician provides sufficient free length of power supply cable to reach from the bottom rear of the cavity to at least 1500mm in front of the bottom edge of the opening

\*\*\*For more information, refer to the Installation Guide. Ensure power will remain accessible following install to allow access for any future product maintenance.

**WATER**

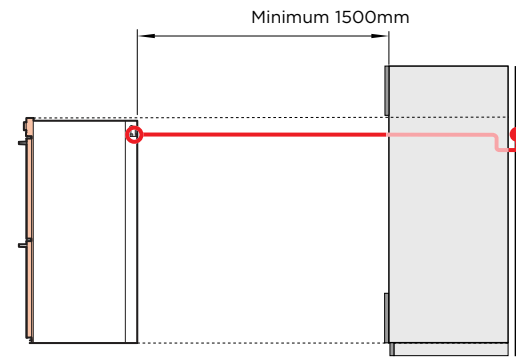
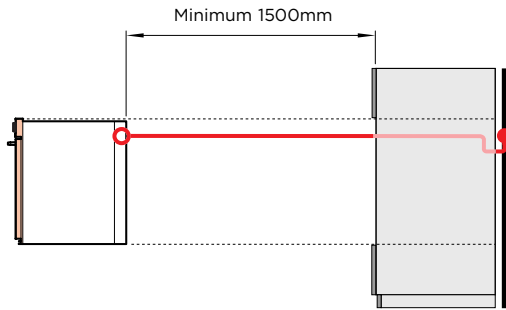
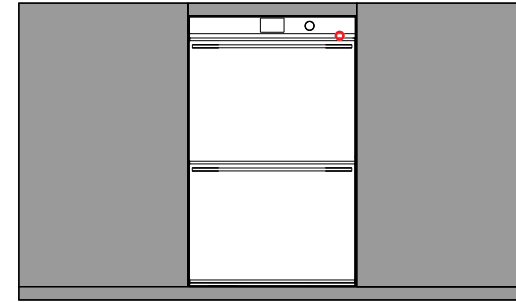
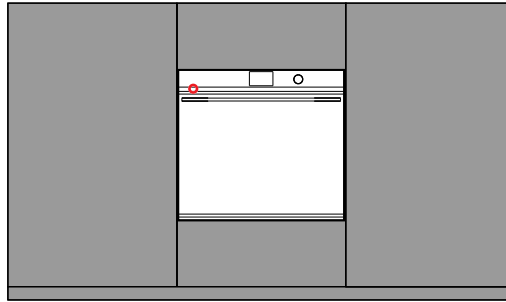
Total Capacity	2.4L	-	1.4L
Location	Water tank (internal)	-	Water tank (internal)


**ELECTRICAL**

Supply	220-240 V, 50 Hz	220-240 V, 50 Hz	220-240 V, 50 Hz
Service	10 A	20 A	20 A

Note: Multiple product installation requires the design of power outlets according to local regulations.

The models shown in this Planning Guide may not be available in all markets and are subject to change at any time. Product specifications may vary from those shown. This Planning Guide should not be used as installation guidance for any product. Further information is required to safely and correctly install the products featured here. Specific installation guidance will be available on our website [fisherpaykel.com](http://fisherpaykel.com)



 Power Cable

**OVEN**  
OB76SDPTDX2

**DOUBLE OVEN**  
OB76DDPTDX2

**POWER CORD**

Power cord free length	Minimum 1500mm*
Location	Upper left
Connection	Hard wire**

Power cord free length	Minimum 1500mm*
Location	Upper right
Connection	Hard wire**

\*The electrician provides sufficient free length of power supply cable to reach from the bottom rear of the cavity to at least 1500mm in front of the bottom edge of the opening  
 \*\*For more information, refer to the Installation Guide. Ensure power will remain accessible following install to allow access for any future product maintenance.

**WATER**

Total Capacity	-
Location	-

Total Capacity	-
Location	-

**ELECTRICAL**

Supply	220-240 V, 50 Hz
Service	20 A

Supply	220-240 V, 50 Hz
Service	40 A

Note: Multiple product installation requires the design of power outlets according to local regulations.

The models shown in this Planning Guide may not be available in all markets and are subject to change at any time. Product specifications may vary from those shown. This Planning Guide should not be used as installation guidance for any product. Further information is required to safely and correctly install the products featured here. Specific installation guidance will be available on our website [fisherpaykel.com](http://fisherpaykel.com)

