

# 30" Series 7 Classic 4 Burner Gas Range

Series 7 | Classic

Red

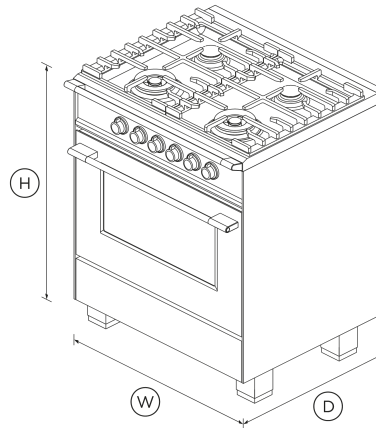


Create a striking classic kitchen. Your freestanding range has a spacious oven capacity and four gas burners for precise control.

- Four burner gas cooktop with two dual wok burners
- Gas oven with 3.5 cu ft total capacity
- Three oven functions: Bake, Convection Bake and Maxi Broil

## DIMENSIONS

Height	35 3/4 - 37 5/8 "
Width	29 7/8 "
Depth	25 1/4 "



## FEATURES & BENEFITS

### Design quality

This range has been carefully crafted in every detail from performance to durability using quality materials including the balanced soft-close door and rounded hob rail.

### Large Capacity Oven

The generous 3.5 cu.ft total capacity oven gives you plenty of space to cook multiple dishes at once, with enough room to fit a 26 lb turkey.

### Performance power

Precise cooktop controls let you sear or stir fry over instant, powerful heat. Use the high burner power or simmer a delicate sauce using the gentlest of heats.

### Easy Cleaning

With its durable surface, your cooktop simply needs a quick wipe after cooking to keep it looking good as new for years to come.

## SPECIFICATIONS

### Accessories (included)

2-pc grill system (Broil pan and Grill rack)	•
Broil pan	•
Chromed shelf runners	1 set
Full extension telescopic shelves	2 sets (part 578776)
Small pot support	1 (part 533981 cast)

### Accessories (sold separately)

Kick strip, red (optional)	KICKOR30R1
----------------------------	------------

### Burner ratings

Dual wok burner inner/outer (LPG)	1000 - 1800BTU
Dual wok burner inner/outer (natural gas)	1000 - 1800BTU
Maximum burner power	18000 BTU
Semi-rapid burner (LPG)	1500 - 7600BTU
Semi-rapid burner (natural gas)	1500 - 8000BTU
Total cooktop power	52000 BTU

<b>Capacity</b>	
Total capacity	<b>3.5 L</b>

<b>Cleaning</b>	
Acid resistant graphite enamel	•
Removable oven door	•
Removable shelf runners	•

<b>Controls</b>	
Laser etched graphics	•

<b>Gas Requirements</b>	
Supply Pressure (LPG)	<b>11" W.C.P</b>
Supply Pressure (natural gas)	<b>4" W.C.P</b>

<b>Installation Dimensions</b>	
Installation cutout dimensions (Width)	<b>30 mm</b>

<b>Oven features</b>	
Auto re-ignition system	•
Concealed element	•
Convection	•
Electronic ignition	•
Full extension telescopic sliding shelves	•
Internal light	<b>2 x 25W halogen (rear)</b>

Soft open/close door	•
Storage drawer	•

<b>Oven functions</b>	
Convection bake	•
Number of functions	<b>3</b>

<b>Oven performance</b>	
Bake power	<b>14000 BTU</b>
Broil	<b>11000 BTU</b>
CoolTouch door	<b>Triple glazed</b>

<b>Power Requirements</b>	
Amperage	<b>15 A</b>
Supply frequency	<b>60 Hz</b>

<b>Product Dimensions</b>	
Depth	<b>25 1/4 "</b>
Height	<b>35 3/4 - 37 5/8 "</b>
Width	<b>29 7/8 "</b>

<b>Rangetop features</b>	
Hob rail	•
LPG / Natural Gas compatible	•
Sealed range top	•

<b>Rangetop Performance</b>	
Number of burners	<b>4</b>

<b>Safety</b>	
ADA compliant	•
Advanced cooling system	•
Anti-tilt bracket	•
Balanced oven door	•
Full extension telescopic sliding shelves	•
Non-tip shelves	•
Spill containment	<b>45.42 L</b>
Spill containment	<b>1/2 gallon</b>

SKU 81715

The product dimensions and specifications in this page apply to the specific product and model. Under our policy of continuous improvement, these dimensions and specifications may change at any time. You should therefore check with Fisher & Paykel's Customer Care Centre to ensure this page correctly describes the model currently available. © Fisher & Paykel Appliances Ltd 2020

**Other product downloads available at fisherpaykel.com**

- [↓ 2D-DWG Gas Range](#)
- [↓ 2D-DXF Gas Range](#)
- [↓ Service & Warranty](#)
- [↓ Installation Guide EN](#)
- [↓ Guide d'installation FR](#)
- [↓ Revit Gas Cooktop](#)

- [↓](#) Rhino Gas Cooktop
- [↓](#) Sketchup Gas Cooktop
- [↓](#) User Guide Freestanding Range EN

**Where applicable:**

All appliances use energy, and energy usage typically generates carbon emissions. **Fisher & Paykel Appliances' In-use Energy Carbon Emissions Estimate** indicates carbon emissions from a product's in-use energy. This is calculated either annually or per cycle, using the product's market-specific energy label energy consumption data multiplied by the carbon emissions factor for energy in your country or region.

Our In-use Energy Carbon Emissions Estimate is designed to assist customers in making informed purchasing decisions when comparing different Fisher & Paykel products. For example, a heat pump dryer typically has a lower In-use Energy Carbon Emissions Estimate than a vented dryer.



**A PEACE OF MIND SALE**  
24 Hours 7 Days a Week Customer Support  
T 1.888.936.7872 W [www.fisherpaykel.com](http://www.fisherpaykel.com)