

**30" BUILT-IN OVENS AND COMPANIONS
MINIMAL**

PLANNING GUIDE

SERIES 9 & 11

OVEN | OB30SDPTDB1 | OB30SDPTB1

STEAM OVEN | OS30SDTDB1, OS30NDTDB1

SPEED OVEN | OM30NDTDB1

BUILT-IN COFFEE MAKER | EB24DSXBB1

TRIM KIT | TK7630NDB2

WARMING DRAWER | WB30SDB1-SET

VACUUM SEAL DRAWER | VB30SDB1-SET

FISHER & PAYKEL

This comprehensive Planning Guide provides you with the framework and tools to achieve your desired design outcome with Fisher & Paykel appliances. In this guide, you will find a range of conceptual, detailed and dimensional product information to bring your ideas to life and create spaces that truly reflect your vision.

CONTENTS

CONCEPT DESIGN	PAGE	DEVELOPED AND DETAILED DESIGN	PAGE	DEVELOPED AND DETAILED DESIGN	PAGE
Design Choices		Data Sheets		Planning Considerations	
Ovens and Companions - ALL MODELS	4	Oven	18	Cabinetry Preparation - ALL MODELS	26
Configurations - ALL MODELS	5	Combination Steam Oven	19	Configurations - ALL MODELS	27
Overview - ALL MODELS	6	Combination Steam Oven	20	Oven	28
		Convection Speed Oven	21	Combination Steam Oven	29
Specification Guides		Built-in Coffee Maker with Trim Kit	22	Combination Steam Oven	30
Oven	8	Warming Drawer	23	Convection Speed Oven	31
Combination Steam Oven	9	Vacuum Seal Drawer	24	Built-in Coffee Maker with Trim Kit	32
Combination Steam Oven	10			Warming Drawer	33
Convection Speed Oven	11			Vacuum Seal Drawer	34
Built-in Coffee Maker with Trim Kit	12				
Warming Drawer	13			Services	
Vacuum Seal Drawer	14			Power Cord Length and Location - COMPANIONS	36
Dimensions - ALL MODELS	15			Power Cord Length and Location - OVENS	37
Power, Weight and Capacity - ALL MODELS	16				

The models shown in this Planning Guide may not be available in all markets and are subject to change at any time. Product specifications may vary from those shown. This Planning Guide should not be used as installation guidance for any product. Further information is required to safely and correctly install the products featured here. Specific installation guidance will be available on our website fisherpaykel.com

DESIGN CHOICES

COLOUR

OVENS

COMPANIONS

INSTALLATION OPTIONS

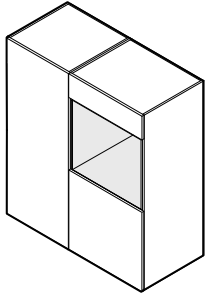


BLACK

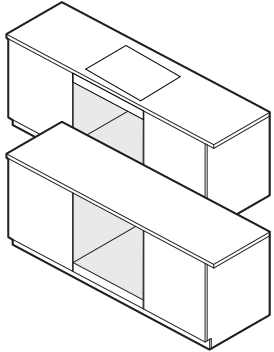
OVEN COMBINATION STEAM CONVECTION SPEED



BUILT-IN COFFEE MAKER WARMING DRAWER VACUUM SEAL DRAWER



INSTALLATION IN WALL

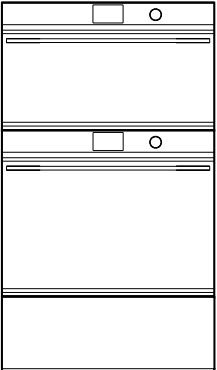


INSTALLATION UNDER-BENCH

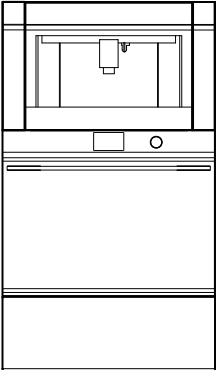
The models shown in this Planning Guide may not be available in all markets and are subject to change at any time. Product specifications may vary from those shown. This Planning Guide should not be used as installation guidance for any product. Further information is required to safely and correctly install the products featured here. Specific installation guidance will be available on our website fisherpaykel.com

STACKED INSTALLATION

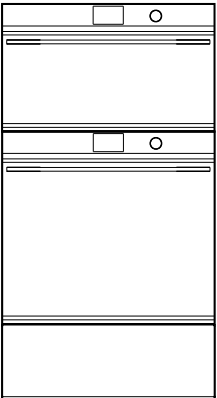
Stack Height
52 13/32" (1331mm)



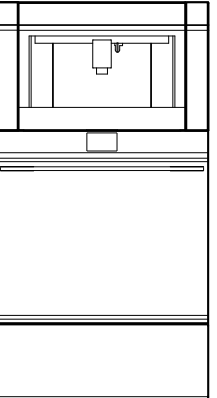
Stack Height
52 13/32" (1331mm)



Stack Height
56 1/32" (1423mm)

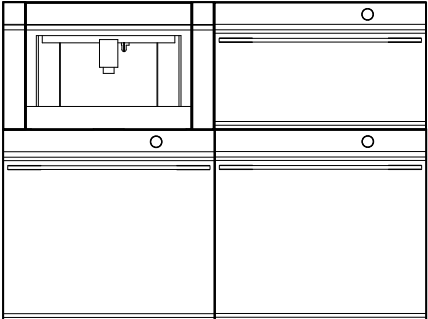


Stack Height
56 1/32" (1423mm)



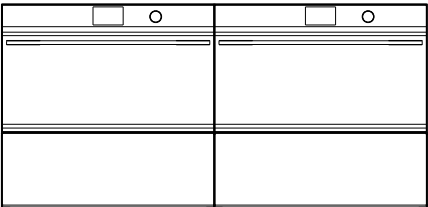
GRID INSTALLATION

Stack Height
45 11/32" (1152mm)

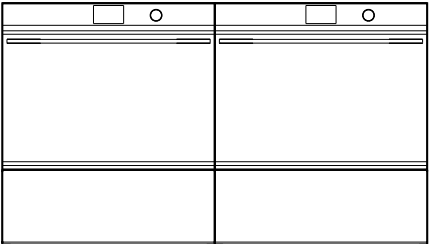


ROW INSTALLATION

Stack Height
26 21/32" (677mm)



Stack Height
28 25/32" (731mm)

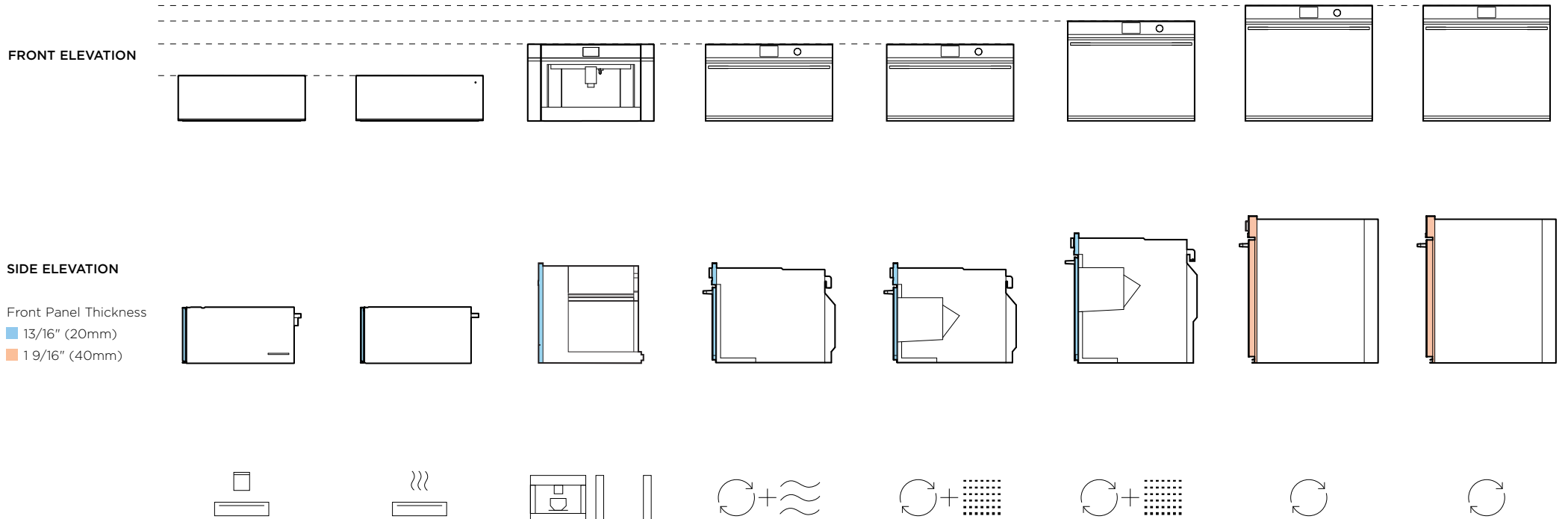


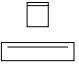
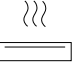
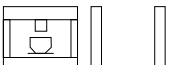
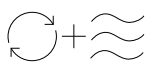
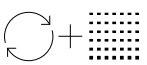
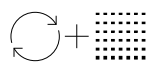


CONSIDERATIONS

Different configurations possible, consider heights for row and grid installations.

Note: Stack Height is overall product height with minimum clearance above appliance front panel to upper cabinetry front panel or appliance.

The models shown in this Planning Guide may not be available in all markets and are subject to change at any time. Product specifications may vary from those shown. This Planning Guide should not be used as installation guidance for any product. Further information is required to safely and correctly install the products featured here. Specific installation guidance will be available on our website fisherpaykel.com



								
	WARMING DRAWER	VACUUM SEAL DRAWER	BUILT-IN COFFEE MAKER WITH TRIM KIT	CONVECTION SPEED OVEN	COMBINATION STEAM OVEN	COMBINATION STEAM OVEN	OVEN	OVEN
Series	Series 9	Series 9	Series 9	Series 9	Series 9	Series 11	Series 9	Series 9
Model Code	WB30SDB1-SET	VB30SDB1-SET	EB24DSXBB1 (TK7630NDB2)	OM30NDTDB1	OS30NDTDB1	OS30SDTDB1	OB30SDPTDB1	OB30SDPTB1
Interface	-	-	4.3" Touchscreen	5" Touchscreen, Dial Control	5" Touchscreen, Dial Control	5" Touchscreen, Dial Control	5" Touchscreen, Dial Control	5" Touchscreen
Height	10 11/16" (271mm)	10 11/16" (271mm)	18" (458mm)	18" (458mm)	18" (458mm)	23 9/16" (598mm)	27 3/16" (690mm)	27 3/16" (690mm)
Front Panel Thickness	13/16" (20mm)	13/16" (20mm)	13/16" (20mm)	13/16" (20mm)	13/16" (20mm)	13/16" (20mm)	1 9/16" (40mm)	1 9/16" (40mm)

The models shown in this Planning Guide may not be available in all markets and are subject to change at any time. Product specifications may vary from those shown. This Planning Guide should not be used as installation guidance for any product. Further information is required to safely and correctly install the products featured here. Specific installation guidance will be available on our website fisherpaykel.com

SPECIFICATION GUIDE

SERIES 9 & 11



Oven OB30SDPTDB1 with Dial Controls



Oven OB30SDPTB1

OVERVIEW

Enhance your kitchen design with the 30" Oven. Refined styling means it matches seamlessly with our Minimal kitchen appliances to create a coherent, considered look and feel. Intuitive controls and the performance to deliver perfect results make this oven beautiful to use.

PRODUCTS

OB30SDPTDB1

Built-In Oven, 30", 17 Function, 4.1 cu ft, Dial Controls, Touchscreen

OB30SDPTB1

Built-In Oven, 30", 17 Function, 4.1 cu ft, Touchscreen

SERIES & STYLE

Series 9
Minimal

FEATURES

- ① Designed to fit flush with cabinetry
- ② Styled to perfectly match our Minimal kitchen appliances
- ③ Generous 4.1cu ft total capacity
- ④ High-resolution, user-friendly touch display
- ⑤ Guided cooking and recipes
- ⑥ Perfect results from a variety of oven functions
- ⑦ Even heat distribution throughout with AeroTech™ technology
- ⑧ Self-cleaning
- ⑨ CoolTouch door
- ⑩ Wi-Fi/Connected capability through the SmartHQ™ app
- ⑪ Soft open and close door

ACCESSORIES

- ① Full Extension Sliding Shelves*
- ② Self-cleaning-proof side racks*
- ③ Roasting dish, tray and rack*
- ④ Wired Temperature Sensor*

*Included with product

The models shown in this Planning Guide may not be available in all markets and are subject to change at any time. Product specifications may vary from those shown. This Planning Guide should not be used as installation guidance for any product. Further information is required to safely and correctly install the products featured here. Specific installation guidance will be available on our website fisherpaykel.com



OVERVIEW

With subtle Minimal styling, the Combination Steam Oven fits seamlessly into any kitchen. As a companion product, this oven is designed to install easily and fit perfectly with other companion products such as the Combination Microwave Oven, or Vacuum Seal Drawer. It features 23 functions, including steam-only, convection-only, or a combination of both. Reduce the need for oils and fats with six standalone steam functions, perfect for creating flavorful and healthy restaurant-quality meals at home. Beautiful to use, the large 5" touchscreen interface has simple and intuitive guided cooking, helping to ensure perfect results.

PRODUCTS

OS30SDTDB1

Combination Steam Oven, 30", 23 Function

SERIES & STYLE

Series 11

Minimal

ACCESSORIES

- ① 2x Full Extension Sliding Shelves*
- ② Step Down Wire Shelf*
- ③ Broil Pan*
- ④ Broil Rack*
- ⑤ Broil Grid*

FEATURES

- ① Minimal styling, designed to fit flush
- ② Generous 3cu ft total capacity with six shelf positions
- ③ Intuitive, large 5" touchscreen display with illuminated dial
- ④ 23 oven functions including Steam, Sous Vide, Air Fry and Crisp Regenerate
- ⑤ Guided touchscreen cooking makes it simple to cook by food, function or recipe
- ⑥ Moisture control and even heat distribution thanks to ActiveVent and AeroTech™ technology
- ⑦ 47.3 fl oz water tank
- ⑧ Wi-Fi enabled and works with the SmartHQ™ app for remote control and notifications
- ⑨ Steam Clean function ensures a spotless oven with minimal effort
- ⑩ Soft open and close door

ACCESSORIES

- ⑥ Perforated Large Steam Dish*
- ⑦ Perforated Small Steam Dish*
- ⑧ Large Steam Dish*
- ⑨ Wired Temperature Sensor*
- ⑩ Catalytic Panel*
- ⑪ Descale solution* - 2 sachets (Part 580925)

*Included with product

The models shown in this Planning Guide may not be available in all markets and are subject to change at any time. Product specifications may vary from those shown. This Planning Guide should not be used as installation guidance for any product. Further information is required to safely and correctly install the products featured here. Specific installation guidance will be available on our website fisherpaykel.com



OVERVIEW

With subtle Minimal styling, the Combination Steam Oven fits seamlessly into any kitchen. As a companion product, this oven is designed to install easily and fit perfectly with other companion products such as the Combination Microwave Oven, or Vacuum Seal Drawer. It features 23 functions, including steam-only, convection-only, or a combination of both. Reduce the need for oils and fats with six standalone steam functions, perfect for creating flavorful and healthy restaurant-quality meals at home. Beautiful to use, the large 5" touchscreen interface has simple and intuitive guided cooking, helping to ensure perfect results.

PRODUCTS

OS30NDTDB1

Combination Steam Oven, 30", 23 Function

SERIES & STYLE

Series 9
Minimal

ACCESSORIES

- ① Full Extension Sliding Shelf*
- ② Wire Shelf*
- ③ Broil Pan*
- ④ Broil Rack*
- ⑤ Perforated Large Steam Dish*

FEATURES

- ① Minimal style, designed to fit flush with cabinetry
- ② Generous 1.9 cu ft total capacity with four shelf positions
- ③ Intuitive, large 5" touchscreen display with illuminated dial
- ④ 23 oven functions including Steam, Sous Vide, Air Fry and Crisp Regenerate
- ⑤ Guided touchscreen cooking makes it simple to cook by food, function or recipe
- ⑥ Moisture control and even heat distribution thanks to ActiveVent and AeroTech™ technology
- ⑦ 47.3 fl oz water tank
- ⑧ Wi-Fi enabled and works with the SmartHQ™ app for remote control and notifications
- ⑨ Steam Clean function ensures a spotless oven with minimal effort
- ⑩ Soft open and close door

ACCESSORIES

- ⑥ Perforated Large Steam Dish*
- ⑦ Perforated Small Steam Dish*
- ⑧ Large Steam Dish*
- ⑨ Wired Temperature Sensor*
- ⑩ Catalytic Panel*
- ⑪ Descale solution* - 2 sachets (Part 580925)

*Included with product

The models shown in this Planning Guide may not be available in all markets and are subject to change at any time. Product specifications may vary from those shown. This Planning Guide should not be used as installation guidance for any product. Further information is required to safely and correctly install the products featured here. Specific installation guidance will be available on our website fisherpaykel.com



OVERVIEW

With subtle Minimal styling, the Convection Speed Oven fits seamlessly into any kitchen. As a companion product, this Speed Oven is designed to install easily and fit perfectly with other companion products such as the Combination Steam Oven, or Vacuum Seal Drawer. A flexible appliance that pairs the speed of microwave cooking with oven technology, which can crisp and brown as it cooks. Featuring 22 cooking functions on an intuitive touch display for easy programming of desired cooking mode and duration.

PRODUCTS

OM30NDTDB1

Convection Speed Oven, 30", 22 Function

SERIES & STYLE

Series 9

Minimal



FEATURES

- ① Minimal style, designed to fit flush with cabinetry
- ② 1.7cu ft total capacity
- ③ Intuitive, large 5" touchscreen display with illuminated dial
- ④ Four microwave-only functions, 14 traditional oven functions, and four combination functions
- ⑤ A Wired Temperature Sensor precisely monitors cooking in real time
- ⑥ Guided cooking, with the option to access additional functionality via the SmartHQ™ app
- ⑦ Wi-Fi/Connected capability through the SmartHQ™ app
- ⑧ Soft open and close door

ACCESSORIES

- ① Wire Shelf*
- ② Chrome Shelf Runners*
- ③ Step Down Wire Shelf*
- ④ Broil Rack*
- ⑤ Glass Tray*
- ⑥ Wired Temperature Sensor*

*Included with product

The models shown in this Planning Guide may not be available in all markets and are subject to change at any time. Product specifications may vary from those shown. This Planning Guide should not be used as installation guidance for any product. Further information is required to safely and correctly install the products featured here. Specific installation guidance will be available on our website fisherpaykel.com



OVERVIEW

The Built-in Coffee Maker features a stylish black finish and can be installed in multiple configurations to suit kitchen design and preference. With 13 beverage options, our Coffee Maker is designed to consistently pour delicious coffee - from Flat White to Latte or Americano. Favourite coffee styles are memorized for a fast brew with the push of a button. A programmable timer turns the Coffee Maker on at the ideal time each day, while the conical burr grinder delivers a consistent grind for a perfect coffee.

PRODUCTS

EB24DSXBB1

Built-in Coffee Maker, 24", Touchscreen, Black

TK7630NDB2

Companion Trim Kit, 30", Black

Note: Trim Kit purchased separately.

SERIES & STYLE

Series 9

Contemporary

FEATURES

- ① Designed to pair perfectly with 30" ovens and companion products
- ② Stylish black finish
- ③ Install in multiple configurations to suit your kitchen design
- ④ Intuitive touch display
- ⑤ 13 functions to suit any taste and selection - from Espresso to Latte
- ⑥ Personalized coffee and smart self-learning menu preferences
- ⑦ Stainless steel conical burr grinder with 13 coarseness positions
- ⑧ 15 bar pump pressure
- ⑨ Self-cleaning function and easy to empty coffee grounds container and drip tray
- ⑩ 84ft oz (2.5L) water tank capacity

ACCESSORIES

- ① Thermal milk jug 17ft oz (0.5L)*
- ② Water filter*
- ③ Coffee spoon*
- ④ Extractable steam outlet*
- ⑤ Descaling agent bottle*

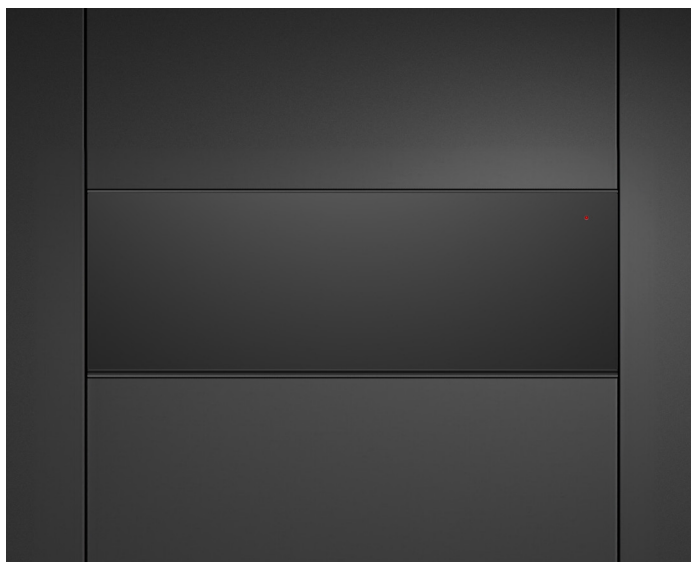
*Included with product



The models shown in this Planning Guide may not be available in all markets and are subject to change at any time. Product specifications may vary from those shown. This Planning Guide should not be used as installation guidance for any product. Further information is required to safely and correctly install the products featured here. Specific installation guidance will be available on our website fisherpaykel.com



Warming Drawer, WB30SDB1-SET Black Glass, paired with Built-in Oven OB30SDPTDB1



OVERVIEW

Designed to complement our Minimal and Contemporary ovens, these warming drawers are handle-free, and push-to-open for a coherent, considered look. Beautiful to use, with capacitive touch controls and six tailored functions for warming, proofing, dehydrating and slow cook. Pair with other companion products to create a kitchen suite for every need.

PRODUCTS

WB30SDB1-SET

Warming Drawer, 30", Black Glass

SERIES & STYLE

Series 9
Minimal

FEATURES

- ① Styled to perfectly match our Minimal and Contemporary kitchen appliances
- ② Seamless pairing with other companion products in either stylish black reflective glass or brushed stainless steel
- ③ Push-to-open drawer
- ④ Easy-to-use capacitive touch controls
- ⑤ Automatic timing and switch-off functionality
- ⑥ Easy-to-clean, smooth-glass base
- ⑦ Room for 16 standard-sized place settings
- ⑧ Versatile with six tailored programmes for warming, proofing, dehydrating and slow cook

ACCESSORIES

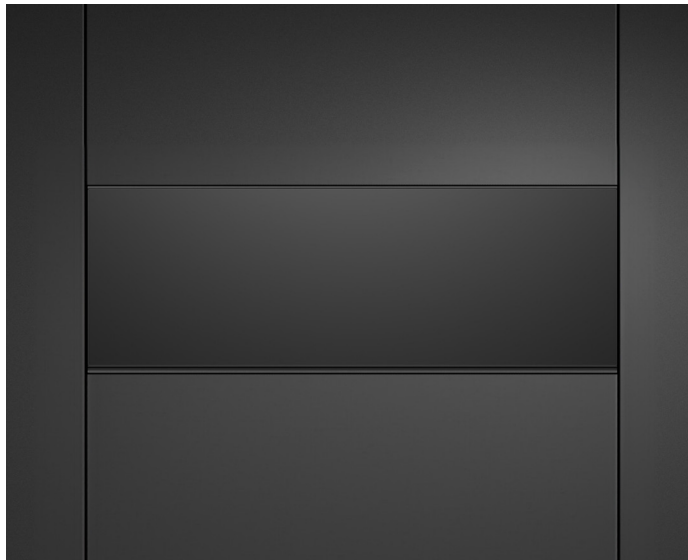
- ① Accessory rack for optimizing space*

*Included with product

The models shown in this Planning Guide may not be available in all markets and are subject to change at any time. Product specifications may vary from those shown. This Planning Guide should not be used as installation guidance for any product. Further information is required to safely and correctly install the products featured here. Specific installation guidance will be available on our website fisherpaykel.com



Vacuum Seal Drawer, VB30SDB1-SET Black Glass, paired with Built-in Oven OB30SDPTDB1

**OVERVIEW**

Designed to complement our Combination Steam Ovens, these vacuum seal drawers are handle-free, and push-to-open for a coherent, considered look. Beautiful to use, with capacitive touch controls and three levels of vacuuming and sealing to deliver perfect results. Pair with other companion products to create a kitchen suite for every need.

PRODUCTS**VB30SDB1-SET**

Vacuum Seal Drawer, 30", Black Glass

SERIES & STYLE

Series 9
Minimal

FEATURES

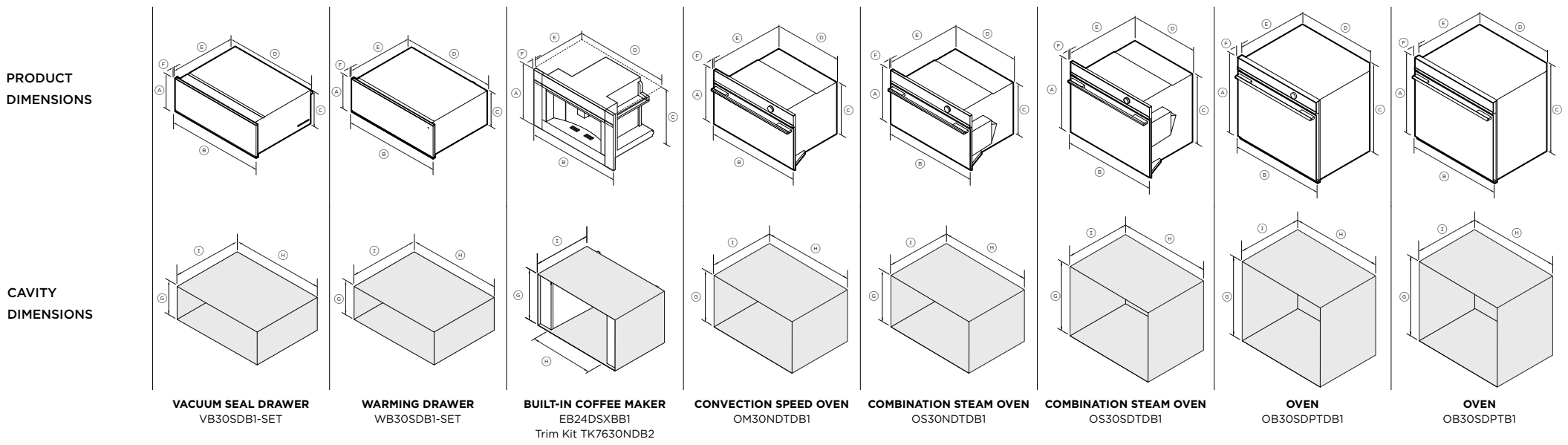
- ① Styled to perfectly match our Minimal and Contemporary kitchen appliances
- ② Push-to-open drawer
- ③ Three levels of vacuum and heat sealing
- ④ Easy-to-use capacitive touch controls
- ⑤ Easy-to-clean stainless steel interior
- ⑥ Vacuum sealing for easy food portioning, marinating, storage and extended food life
- ⑦ Sealing to capture and intensify flavors and retain nutrients
- ⑧ Effortless preparation for sous vide cooking
- ⑨ External vacuuming to remove air from glass jars and bottles
- ⑩ Additional storage drawer

ACCESSORIES

- ① Large vacuum bags - 50 Bags, Part 793034
- ② Small vacuum bags - 50 Bags, Part 793033
- ③ Adapter accessory kit for external vacuuming*

*Included with product

The models shown in this Planning Guide may not be available in all markets and are subject to change at any time. Product specifications may vary from those shown. This Planning Guide should not be used as installation guidance for any product. Further information is required to safely and correctly install the products featured here. Specific installation guidance will be available on our website fisherpaykel.com



PRODUCT DIMENSIONS	VACUUM SEAL DRAWER VB30SDB1-SET	WARMING DRAWER WB30SDB1-SET	BUILT-IN COFFEE MAKER EB24DSXBB1 Trim Kit TK7630NDB2	CONVECTION SPEED OVEN OM30NDTDB1	COMBINATION STEAM OVEN OS30NDTDB1	COMBINATION STEAM OVEN OS30SDTDB1	OVEN OB30SDPTDB1	OVEN OB30SDPTB1
Ⓐ Overall height	10 11/16" (271mm)	10 11/16" (271mm)	18" (458mm)**	18" (458mm)	18" (458mm)	23 9/16" (598mm)	27 3/16" (690mm)	27 3/16" (690mm)
Ⓑ Overall width	29 15/16" (760mm)	29 15/16" (760mm)	29 15/16" (760mm)**	29 15/16" (760mm)	29 15/16" (760mm)	29 15/16" (760mm)	29 15/16" (760mm)	29 15/16" (760mm)
Ⓒ Chassis height	10 11/16" (271mm)	10 11/16" (271mm)	17 1/2" (445mm)	17 1/8" (435mm)	17 1/8" (435mm)	22 5/8" (575mm)	26 9/16" (674mm)	26 9/16" (674mm)
Ⓓ Chassis width	28 7/16" (722mm) Includes side brackets	27 3/4" (704mm)	22 1/16" (560mm)	28 3/8" (720mm)	28 3/8" (720mm)	28 3/8" (720mm)	28 3/8" (720mm)	28 3/8" (720mm)
Ⓔ Chassis depth	21 11/16" (551mm) Including power plug	21 9/16" (547mm) Including power plug	18 1/8" (460mm)	21 7/16" (545mm)	21 7/16" (545mm)	21 7/16" (545mm)	22 7/16" (569mm)	22 7/16" (569mm)
Ⓕ Front panel thickness	13/16" (20mm)	13/16" (20mm)	13/16" (20mm)**	13/16" (20mm)	13/16" (20mm)	13/16" (20mm)	1 9/16" (40mm)	1 9/16" (40mm)
Depth of oven door fully open	-	-	-	12 5/8" (320mm)*	12 5/8" (320mm)*	18 1/8" (460mm)*	21 11/16" (550mm)*	21 11/16" (550mm)*

* Measured from front of control panel

** Measurements with trim kit

CAVITY DIMENSIONS- FLUSH INSTALLATION	VACUUM SEAL DRAWER VB30SDB1-SET	WARMING DRAWER WB30SDB1-SET	BUILT-IN COFFEE MAKER EB24DSXBB1 Trim Kit TK7630NDB2	CONVECTION SPEED OVEN OM30NDTDB1	COMBINATION STEAM OVEN OS30NDTDB1	COMBINATION STEAM OVEN OS30SDTDB1	OVEN OB30SDPTDB1	OVEN OB30SDPTB1
Ⓒ Minimum inside height of cavity	10 3/4" (273mm)*	10 3/4" (273mm)*	17 3/4" (450mm)	17 5/16" (440mm)	17 5/16" (440mm)	22 13/16" (580mm)	26 13/16" (681mm)	26 13/16" (681mm)
Ⓓ Minimum inside width of cavity	28 1/2" (724mm)	28 1/2" (724mm)	22 1/16" (560mm)**	28 1/2" (724mm)	28 1/2" (724mm)	28 1/2" (724mm)	28 1/2" (724mm)	28 1/2" (724mm)
Ⓔ Minimum inside depth of cavity****	22 13/16" (580mm)	22 13/16" (580mm)	22 13/16" (580mm)**	22 7/16" (570mm)**	22 7/16" (570mm)	22 7/16" (570mm)	24 3/16" (615mm)	24 3/16" (615mm)
Recommended cabinet width	30 1/16" (764mm)	30 1/16" (764mm)	30 1/16" (764mm)	30 1/16" (764mm)	30 1/16" (764mm)	30 1/16" (764mm)	30 1/16" (764mm)	30 1/16" (764mm)

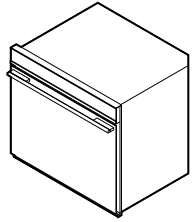
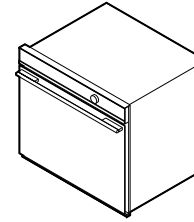
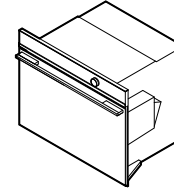
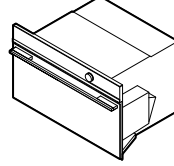
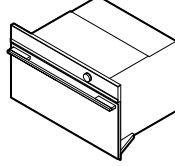
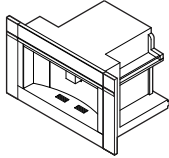
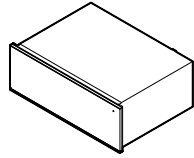
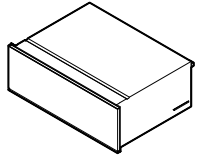
*Drawers can fully support 30inch Fisher & Paykel wall oven, without adding shelf in between

**Requires ventilation at the rear of the cavity

***Cabinetry requires additional vertical sidewalls to secure the product

****Measured from front of control panel

The models shown in this Planning Guide may not be available in all markets and are subject to change at any time. Product specifications may vary from those shown. This Planning Guide should not be used as installation guidance for any product. Further information is required to safely and correctly install the products featured here. Specific installation guidance will be available on our website fisherpaykel.com



VACUUM SEAL DRAWER
VB30SDBI-SET

WARMING DRAWER
WB30SDBI-SET

BUILT-IN COFFEE MAKER
EB24DSXBB1
Trim Kit TK7630NDB2

CONVECTION SPEED OVEN
OM30NDTDB1

COMBINATION STEAM OVEN
OS30NDTDB1

COMBINATION STEAM OVEN
OS30SDTDB1

OVEN
OB30SDPTDB1

OVEN
OB30SDPTB1

POWER REQUIREMENTS

Supply	120 V, 60 Hz	120 V, 60 Hz	120 V, 60 Hz	208 V or 240 V, 60 Hz	208 V or 240 V, 60 Hz	208 V or 240 V, 60 Hz	208 V or 240 V, 60 Hz	208 V or 240 V, 60 Hz
Service	10 A	10 A	10 A	20 A	20 A	20 A	20 A	20 A
Connection	Flex cord 70 7/8"(1800mm)	Flex cord 70 7/8"(1800mm)	Flex cord 66 15/16"(1700mm)	Hard wired 48"(1200mm)	Hard wired 78 3/4"(2000mm)	Hard wired 78 3/4"(2000mm)	Hard wired 78 3/4"(2000mm)	Hard wired 78 3/4"(2000mm)

WEIGHT

Packaged	148lb (67kg)	66lb (30kg)	EB24DSXBB1 72lb (33kg)	121lb (55kg)	121lb (55kg)	152lb (69kg)	243lb (110kg)	243lb (110kg)
Unpackaged	121lb (55kg)	55lb (25kg)	EB24DSXBB1 53lb (24kg)	101lb (46kg)	101lb (46kg)	119lb (54kg)	165lb (75kg)	165lb (75kg)

CAPACITY

Total oven	-	-	-	1.7cu ft (49L)	1.9cu ft (55L)	3cu ft (85L)	4.1cu ft (115L)	4.1cu ft (115L)
Total water tank	-	-	84.5 fl oz (2.5L)	-	47.3 fl oz (1.4L)	47.3 fl oz (1.4L)	-	-

SERVICES

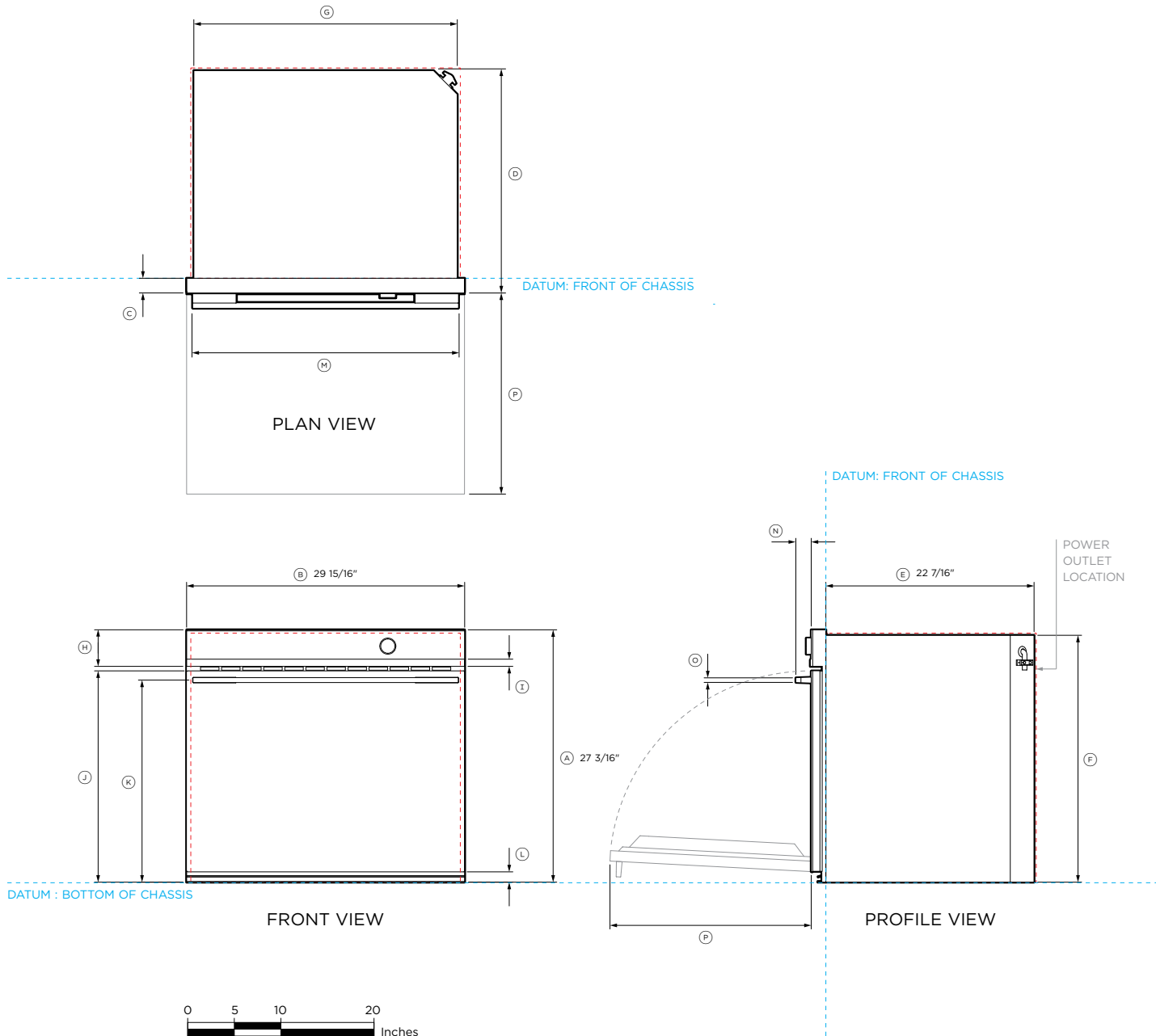
For more information on cord length, water supply and electrical requirements, refer to the 'Services' section of this Planning Guide.

WATER

All Coffee Makers and Steam Ovens have internal water tanks which need to be filled manually. No external water supply is required.

The models shown in this Planning Guide may not be available in all markets and are subject to change at any time. Product specifications may vary from those shown. This Planning Guide should not be used as installation guidance for any product. Further information is required to safely and correctly install the products featured here. Specific installation guidance will be available on our website fisherpaykel.com

DATA SHEETS



Model no:

Oven, 30" - OB30SDPTDB1, OB30SDPTB1

Product Dimensions

	in	mm
(A) Overall height of product	27 3/16	690
(B) Overall width of product	29 15/16	760
(C) Depth of control panel (excludes handle, front black aluminum trim and dial)	1 9/16	40
(D) Depth of chassis and control panel (excludes handle, front black aluminum trim and dial)	24	609
(E) Depth of chassis	22 7/16	569
(F) Height of chassis	26 9/16	674
(G) Width of chassis	28 3/8	720
(H) Height of control panel	3 15/16	100
(I) Height of black aluminum trim on control panel	3/4	20
(J) Height from bottom datum to top of oven door	22 3/4	578
(K) Height from bottom datum to centerline of handle	21 3/4	553
(L) Height from bottom datum to bottom of door	1 1/8	28
(M) Width of handle	28 5/8	727
(N) Depth of handle	1 5/8	42
(O) Thickness of handle	5/8	16
(P) Depth of door when open (measured from front of door)	21 11/16	550

Minimum Clearances- Flush Installation

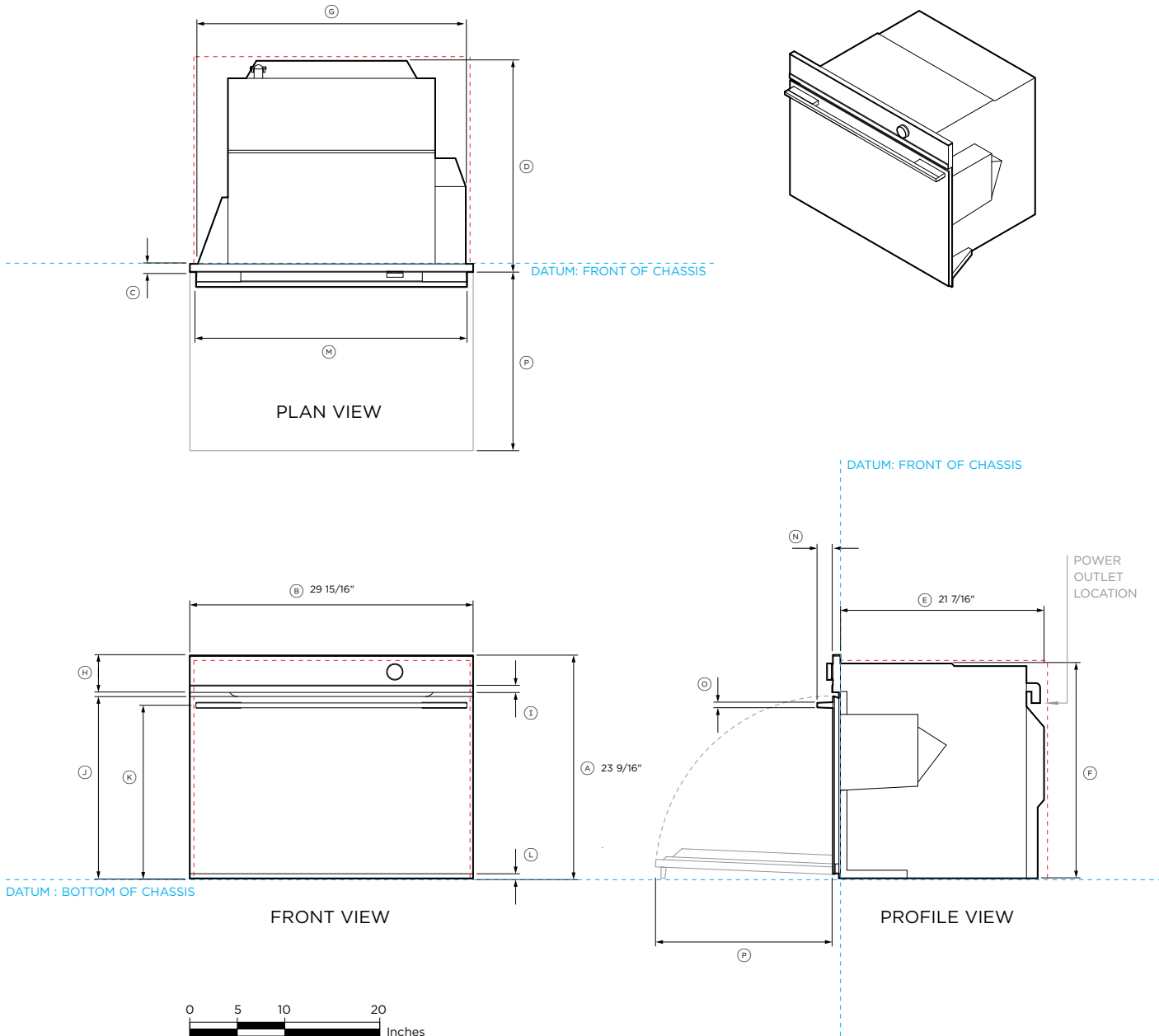
	in	mm
Minimum inside height of cavity	26 13/16	681
Minimum inside width of cavity	28 1/2	724
Minimum inside depth of cavity*	24 3/16	615
Minimum clearance above oven control panel to upper cabinetry front panel or appliance	1/16	2
Minimum clearance between bottom of oven chassis to lower cabinetry front panel or appliance	1/16	2

*Measured from front of control panel
 Note: Depending on cabinet panel thickness a rebate around control panel might be required. Ensure a 3/16" (5mm) minimum clearance is maintained between the top of the oven chassis and the cabinetry. Ensure the oven is not bearing any weight from cabinetry or products installed above.

IMPORTANT NOTE: For full installation and clearance details please refer to our installation manual.

INDICATES CABINETRY / PRODUCT DATUM -----
 INDICATES CABINETRY CLEARANCES - - - - -

IMPORTANT NOTE: Throughout this guide, dimensions may vary by ±2mm (1/16"). Please read the Installation Guide for detailed information on installing the product. For full installation instructions visit fisherpaykel.com



Model no:

Combination Steam Oven, 30" - OS30SDTDB1

Product Dimensions	in	mm
A Overall height of product	23 9/16	598
B Overall width of product	29 15/16	760
C Depth of control panel (excludes handle, front black aluminum trim and dial)	13/16	20
D Depth of chassis and control panel (excludes handle, front black aluminum trim and dial)	22 1/4	565
E Depth of chassis	22 7/16	545
F Height of chassis	22 5/8	575
G Width of chassis	28 3/8	720
H Height of control panel	3 15/16	100
I Height of black aluminum trim on control panel	3/4	20
J Height from bottom datum to top of oven door	19 3/16	487
K Height from bottom datum to centerline of handle	18 1/4	464
L Height from bottom datum to bottom of door	1/2	12
M Width of handle	28 5/8	727
N Depth of handle	1 5/8	42
O Thickness of handle	5/8	16
P Depth of door when open (measured from front of door)	18 1/8	460

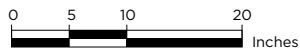
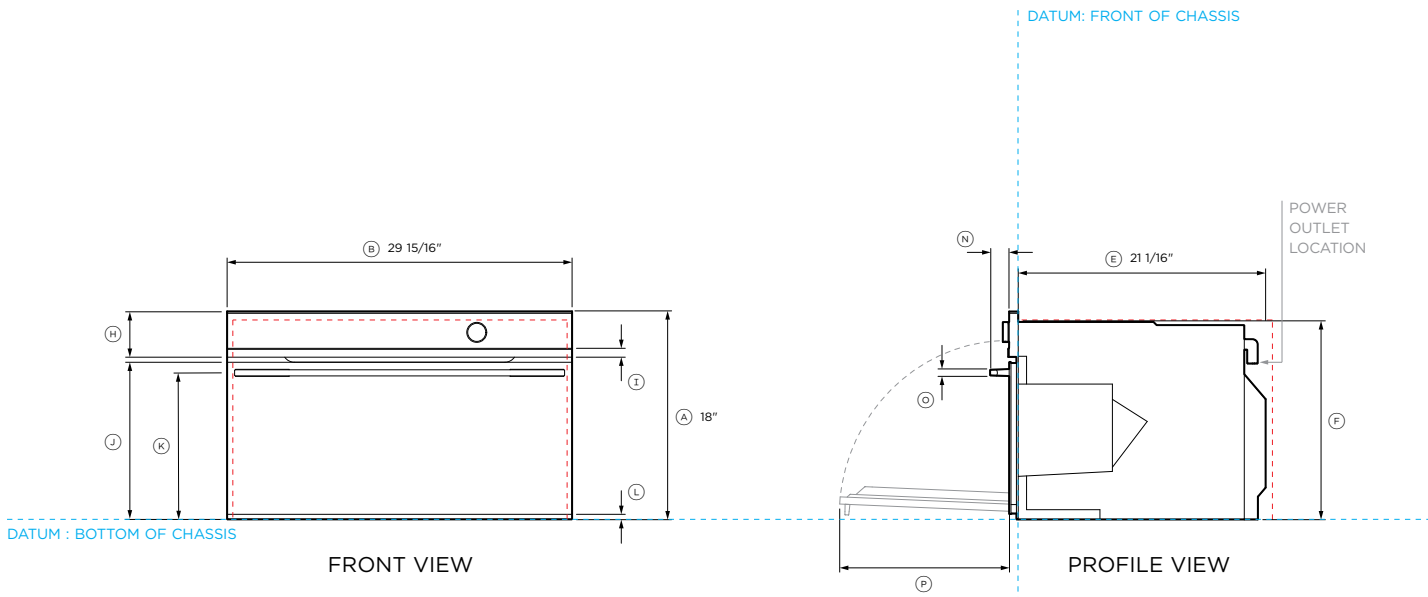
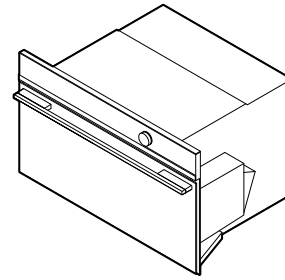
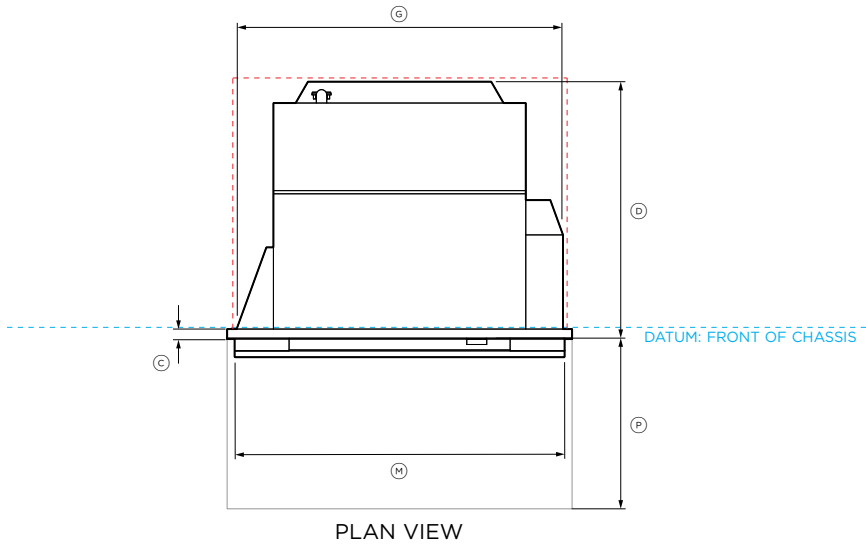
Minimum Clearances - Flush Installation	in	mm
Minimum inside height of cavity	22 13/16	580
Minimum inside width of cavity	28 1/2	724
Minimum inside depth of cavity*	22 7/16	570
Minimum clearance above oven control panel to upper cabinetry front panel or appliance	1/16	2
Minimum clearance between bottom of oven chassis to lower cabinetry front panel or appliance	1/16	2

*Measured from front of control panel
 Ensure a 3/16" (5mm) minimum clearance is maintained between the top of the oven chassis and the cabinetry. Ensure the oven is not bearing any weight from cabinetry or products installed above.

NOTE: For full installation and clearance details please refer to our installation manual.

INDICATES CABINERY / PRODUCT DATUM -----
 INDICATES CABINERY CLEARANCES - - - - -

IMPORTANT NOTE: Throughout this guide, dimensions may vary by ±2mm (1/16"). Please read the Installation Guide for detailed information on installing the product. For full installation instructions visit fisherpaykel.com



Model no:

Combination Steam Oven, 30" - OS30NDTDB1

Product Dimensions

	in	mm
Ⓐ Overall height of product	18	458
Ⓑ Overall width of product	29 15/16	760
Ⓒ Depth of control panel (excludes handle, front black aluminum trim and dial)	13/16	20
Ⓓ Depth of chassis and control panel (excludes handle, front black aluminum trim and dial)	22 1/4	565
Ⓔ Depth of chassis	21 1/16	545
Ⓕ Height of chassis	17 1/8	435
Ⓖ Width of chassis	28 3/8	720
Ⓜ Height of control panel	3 15/16	100
Ⓣ Height of black aluminum trim on control panel	13/16	20
Ⓝ Height from bottom datum to top of oven door	13 11/16	347
Ⓚ Height from bottom datum to centerline of handle	12 3/4	324
Ⓛ Height from bottom datum to bottom of door	1/2	12
Ⓜ Width of handle	28 5/8	727
Ⓝ Depth of handle	1 5/8	42
Ⓞ Thickness of handle	5/8	16
Ⓟ Depth of door when open (measured from front of door)	12 5/8	320

Minimum Clearances - Flush Installation

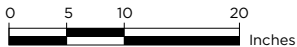
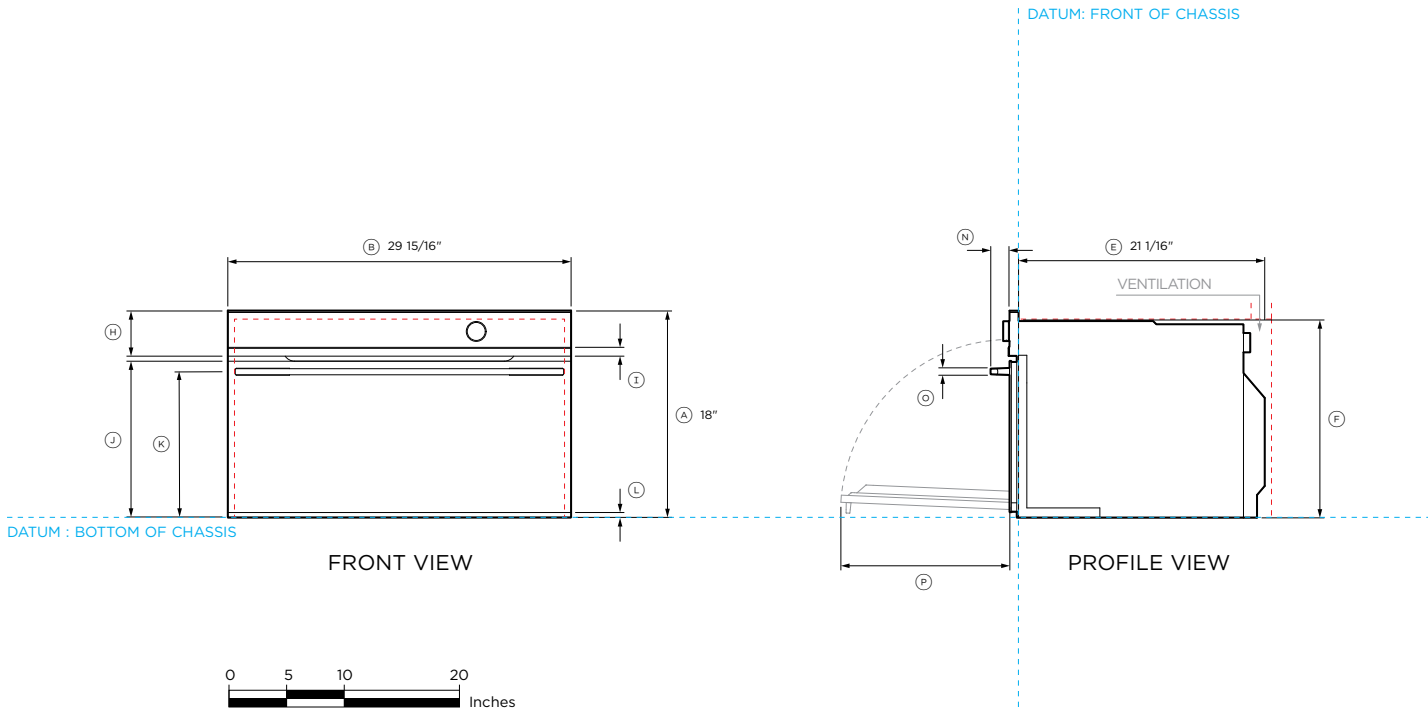
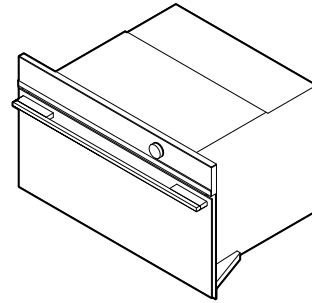
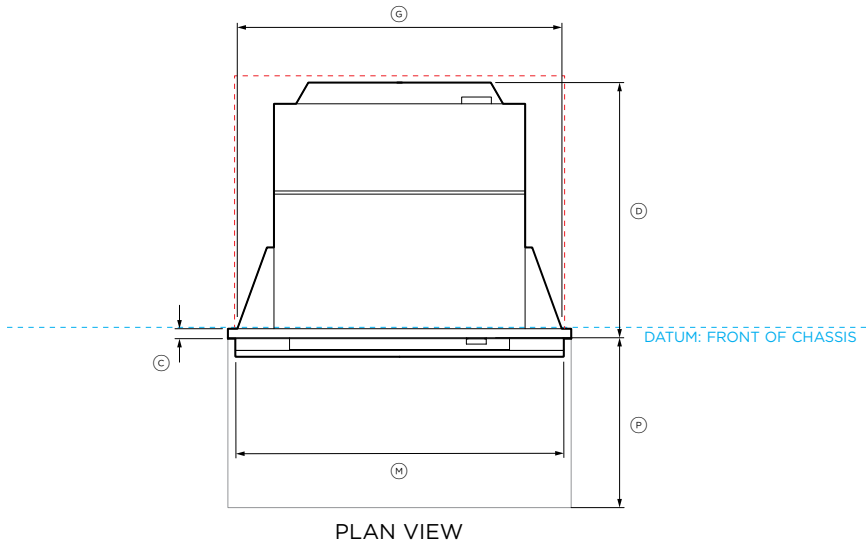
	in	mm
Minimum inside height of cavity	17 5/16	440
Minimum inside width of cavity	28 1/2	724
Minimum inside depth of cavity*	22 7/16	570
Minimum clearance above oven control panel to upper cabinetry front panel or appliance	1/16	2
Minimum clearance between bottom of oven chassis to lower cabinetry front panel or appliance	1/16	2

*Measured from front of control panel
Ensure a 3/16" (5mm) minimum clearance is maintained between the top of the oven chassis and the cabinetry. Ensure the oven is not bearing any weight from cabinetry or products installed above.

NOTE: For full installation and clearance details please refer to our installation manual.

INDICATES CABINERY / PRODUCT DATUM -----
INDICATES CABINERY CLEARANCES - - - - -

IMPORTANT NOTE: Throughout this guide, dimensions may vary by ±2mm (1/16"). Please read the Installation Guide for detailed information on installing the product. For full installation instructions visit fisherpaykel.com



Model no:

Convection Speed Oven, 30" - OM30NDTDB1

Product Dimensions

	in	mm
A Overall height of product	18	458
B Overall width of product	29 15/16	760
C Depth of control panel (excludes handle, front black aluminum trim and dial)	13/16	20
D Depth of chassis and control panel (excludes handle, front black aluminum trim and dial)	22 1/4	565
E Depth of chassis	21 1/16	545
F Height of chassis	17 1/8	435
G Width of chassis	28 3/8	720
H Height of control panel	3 15/16	100
I Height of black aluminum trim on control panel	13/16	20
J Height from bottom datum to top of oven door	13 11/16	347
K Height from bottom datum to centerline of handle	12 3/4	324
L Height from bottom datum to bottom of door	1/2	12
M Width of handle	28 5/8	727
N Depth of handle	1 5/8	42
O Thickness of handle	5/8	16
P Depth of door when open (measured from front of door)	12 5/8	320

Minimum Clearances - Flush Installation

	in	mm
Minimum inside height of cavity	17 5/16	440
Minimum inside width of cavity	28 1/2	724
Minimum inside depth of cavity*	22 7/16	570
Rear ventilation depth**	2	50
Rear ventilation width**	22 1/16	560
Minimum clearance above oven control panel to upper cabinetry front panel or appliance	1/16	2
Minimum clearance between bottom of oven chassis to lower cabinetry front panel or appliance	1/16	2

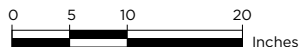
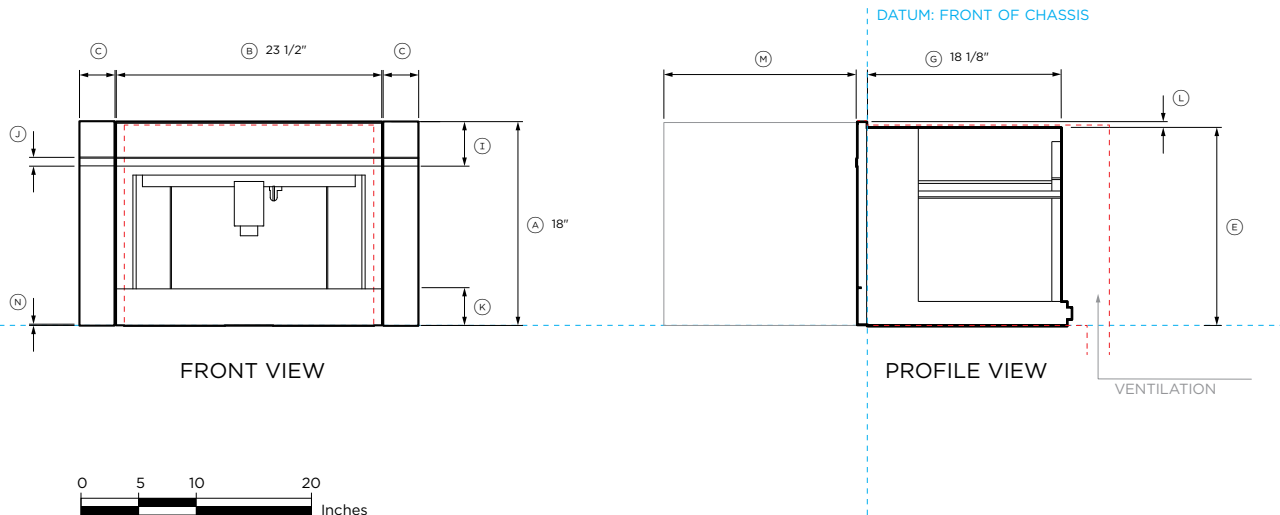
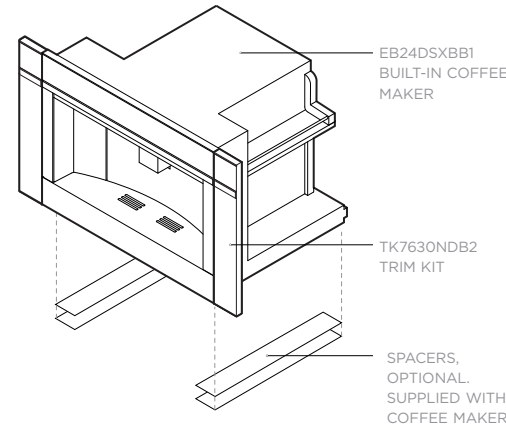
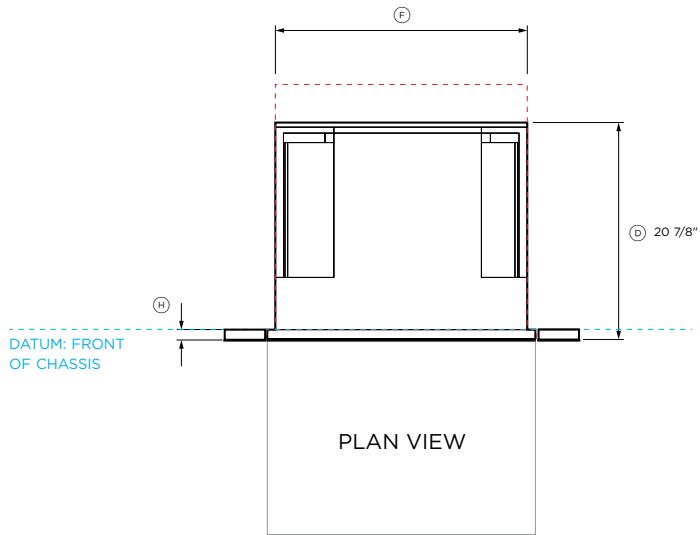
*Measured from front of control panel

**Rear ventilation totalling 43.4in² (280cm²) is required. The air vent must be located at the rear of cabinet, it can be positioned at the base, sides, back or top of the cavity.

NOTE: For full installation and clearance details please refer to our installation manual.

INDICATES CABINETRY / PRODUCT DATUM
INDICATES CABINETRY CLEARANCES

IMPORTANT NOTE: Throughout this guide, dimensions may vary by ±2mm (1/16"). Please read the Installation Guide for detailed information on installing the product. For full installation instructions visit fisherpaykel.com



Model no:

Built-in Coffee Maker, 24" - EB24DSXBB1
Trim Kit, 30" - TK7630NDB2

Product Dimensions

	in	mm
Ⓐ Overall height of built-in coffee maker and trim kit	18	458
Ⓑ Overall width of built-in coffee maker	23 1/2	596
Ⓒ Overall width of trim kit	3 1/9	79
Ⓓ Overall depth of built-in coffee maker and trim kit (excludes front metal trim)	18 7/8	480
Ⓔ Height of chassis of built-in coffee maker	17 1/2	445
Ⓕ Width of chassis of built-in coffee maker	22 1/16	560
Ⓖ Depth of chassis of built-in coffee maker	18 1/8	460
Ⓗ Depth of coffee maker front frame and control panel (excludes front metal trim)	13/16	20
Ⓘ Height of control panel	3 15/16	100
Ⓝ Height of metal cap on control panel	13/16	20
Ⓚ Height of horizontal lower section from bottom datum	3 3/8	85
Ⓛ Stepdown from control panel to chassis	1/2	13
Ⓜ Extent built-in coffee maker pulls out (measured from glass front)	17 1/8	435
Ⓝ Height from bottom datum to lower edge of glass	1/16	2

Minimum Clearances - Flush Installation

	in	mm
Minimum inside height of cavity	17 3/4	450
Minimum inside width of cavity	22 1/16	560
Minimum inside depth of cavity*	22 13/16	580
Rear ventilation depth**	2	50
Rear ventilation width**	22 1/16	560
Minimum clearance above Trim Kit to upper cabinetry front panel or appliance	1/16	2
Minimum clearance between bottom of Trim Kit to lower cabinetry front panel or appliance	1/16	2

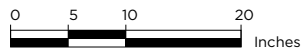
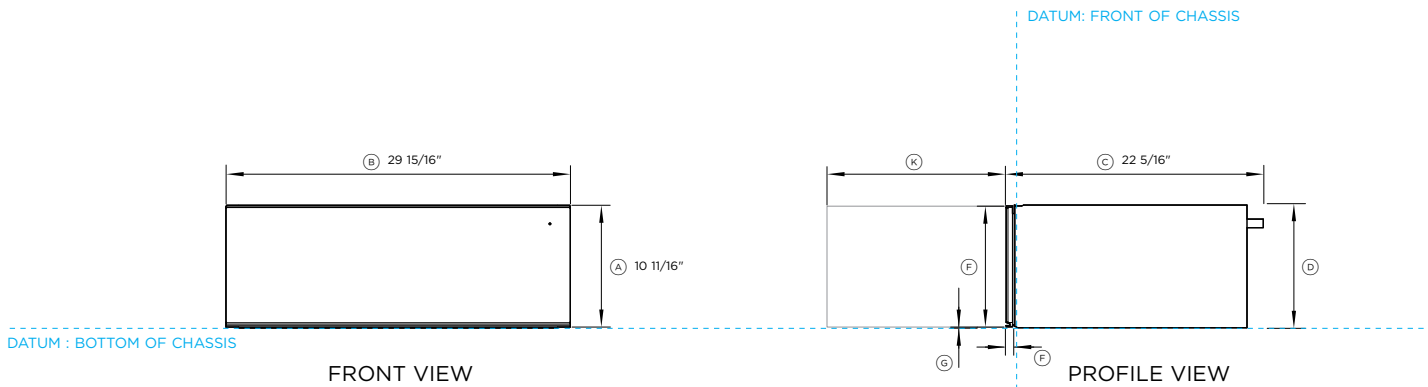
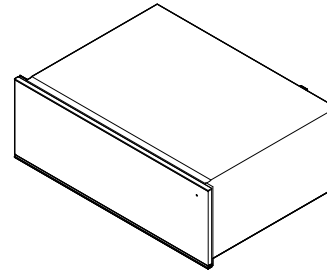
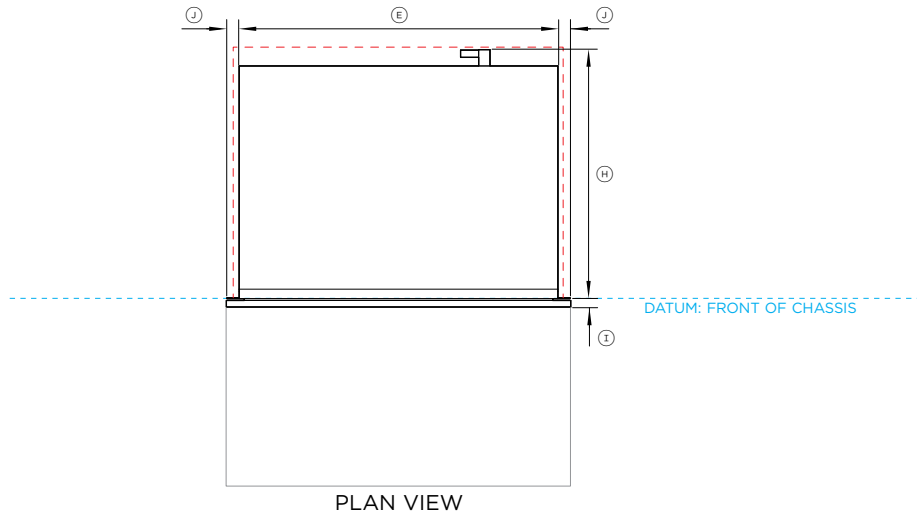
*Measured from front of control panel

**Rear ventilation totalling 43.4in² (280cm²) is required. The air vent must be located at the rear of cabinet, it can be positioned at the base, sides, back or top of the cavity.

IMPORTANT NOTE: For full installation and clearance details please refer to our installation manual.

INDICATES CABINETRY / PRODUCT DATUM -----
INDICATES CABINETRY CLEARANCES - - - - -

IMPORTANT NOTE: Throughout this guide, dimensions may vary by ±2mm (1/16"). Please read the Installation Guide for detailed information on installing the product. For full installation instructions visit fisherpaykel.com



Model no:

Warming Drawer, 30" - WB30SDB1-SET

Product Dimensions

	in	mm
Ⓐ Overall height of product	10 11/16	271
Ⓑ Overall width of product	29 15/16	760
Ⓒ Overall depth (incl. front panel & power plug, excludes stainless cap)	22 5/16	567
Ⓓ Height of chassis	10 11/16	271
Ⓔ Width of chassis	27 3/4	704
Ⓕ Height of drawer front panel	10 1/2	267
Ⓖ Height from bottom of chassis to bottom of front panel	1/16	2
Ⓗ Depth of chassis (includes power plug)	21 9/16	547
Ⓙ Depth of drawer front panel and flange (excludes stainless cap)	13/16	20
Ⓝ Distance from side of chassis to side of drawer front	1 1/16	27
Ⓚ Depth of open drawer (measured from front of drawer panel)	16 3/4	425

Minimum Clearances - Flush Installation

	in	mm
Minimum inside height of cavity	10 3/4	273
Minimum inside width of cavity	28 1/2	724
Minimum inside depth of cavity*	22 13/16	580
Minimum clearance above drawer front panel to upper cabinetry front panel or appliance**	5/32	4
Minimum clearance between bottom of drawer chassis to lower cabinetry front panel or appliance	1/16	2

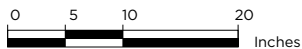
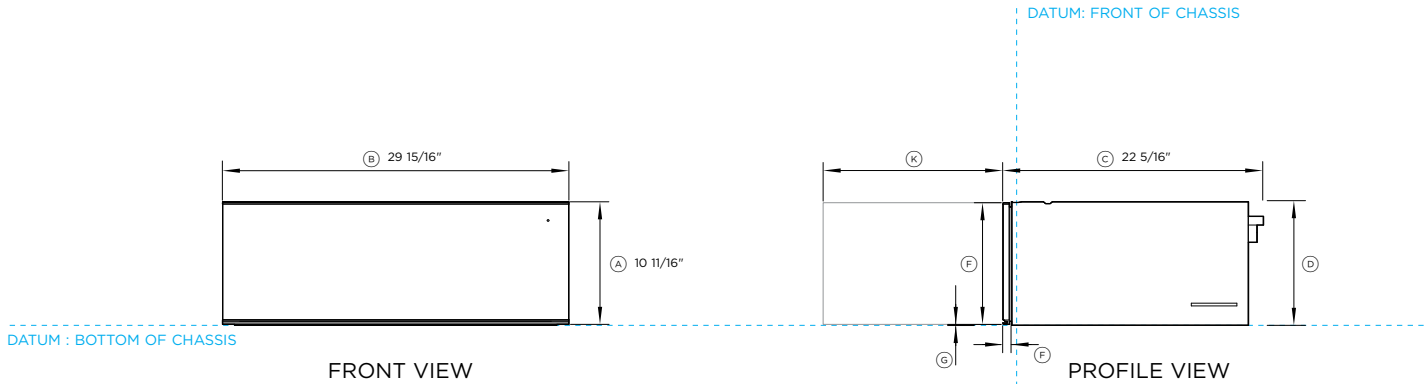
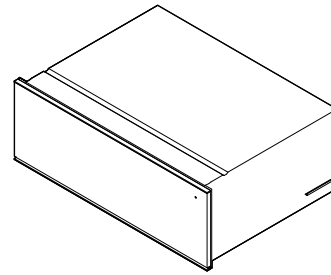
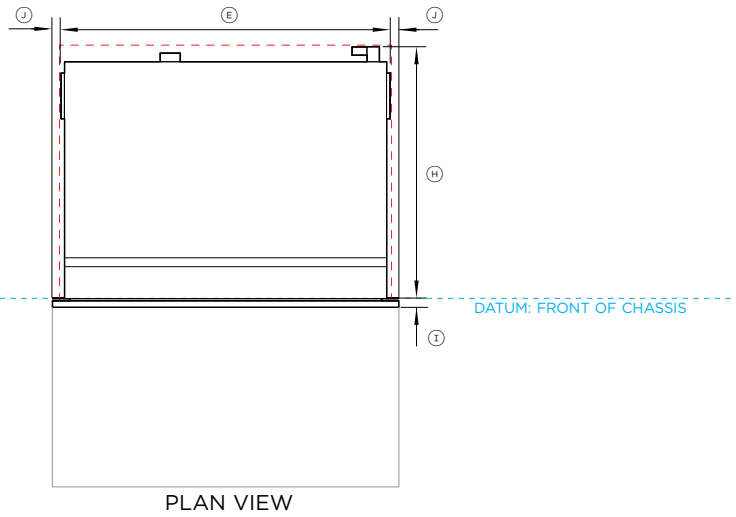
*Measured from front of drawer panel

**Achieve a smaller gap between drawer front panel to upper cabinetry front panel by dropping cabinetry front panel down

NOTE: For full installation and clearance details please refer to our installation manual.

INDICATES CABINETRY / PRODUCT DATUM -----
 INDICATES CABINETRY CLEARANCES - - - - -

IMPORTANT NOTE: Throughout this guide, dimensions may vary by ±2mm (1/16"). Please read the Installation Guide for detailed information on installing the product. For full installation instructions visit fisherpaykel.com



Model no:

Vacuum Seal Drawer, 30" - VB30SDB1-SET

Product Dimensions

	in	mm
A Overall height of product	10 11/16	271
B Overall width of product	29 15/16	760
C Overall depth (incl. front panel & power plug, excludes stainless cap)	22 1/2	571
D Height of chassis	10 11/16	271
E Width of chassis	28 7/16	722
F Height of drawer front panel	10 1/2	267
G Height from bottom of chassis to bottom of front panel	1/16	2
H Depth of chassis (includes power plug)	21 9/16	551
I Depth of drawer front panel and flange (excludes stainless cap)	13/16	20
J Distance from side of chassis to side of drawer front	3/4	19
K Depth of open drawer (measured from front of drawer panel)	16 3/4	425

Minimum Clearances - Flush Installation

	in	mm
Minimum inside height of cavity	10 3/4	273
Minimum inside width of cavity	28 1/2	724
Minimum inside depth of cavity*	22 13/16	580
Minimum clearance above drawer front panel to upper cabinetry front panel or appliance**	5/32	4
Minimum clearance between bottom of drawer chassis to lower cabinetry front panel or appliance	1/16	2

*Measured from front of drawer panel

**Achieve a smaller gap between drawer front panel to upper cabinetry front panel by dropping cabinetry front panel down

NOTE: For full installation and clearance details please refer to our installation manual.

INDICATES CABINETRY / PRODUCT DATUM -----
INDICATES CABINETRY CLEARANCES - - - - -

IMPORTANT NOTE: Throughout this guide, dimensions may vary by ±2mm (1/16"). Please read the Installation Guide for detailed information on installing the product. For full installation instructions visit fisherpaykel.com

PLANNING CONSIDERATIONS

DIVIDING SHELF

If the appliance front panel is thicker than the cabinetry front panel, adjust the dividing shelf depth to ensure the oven sits flush with the front of the cabinetry.

BLACK CLASHING

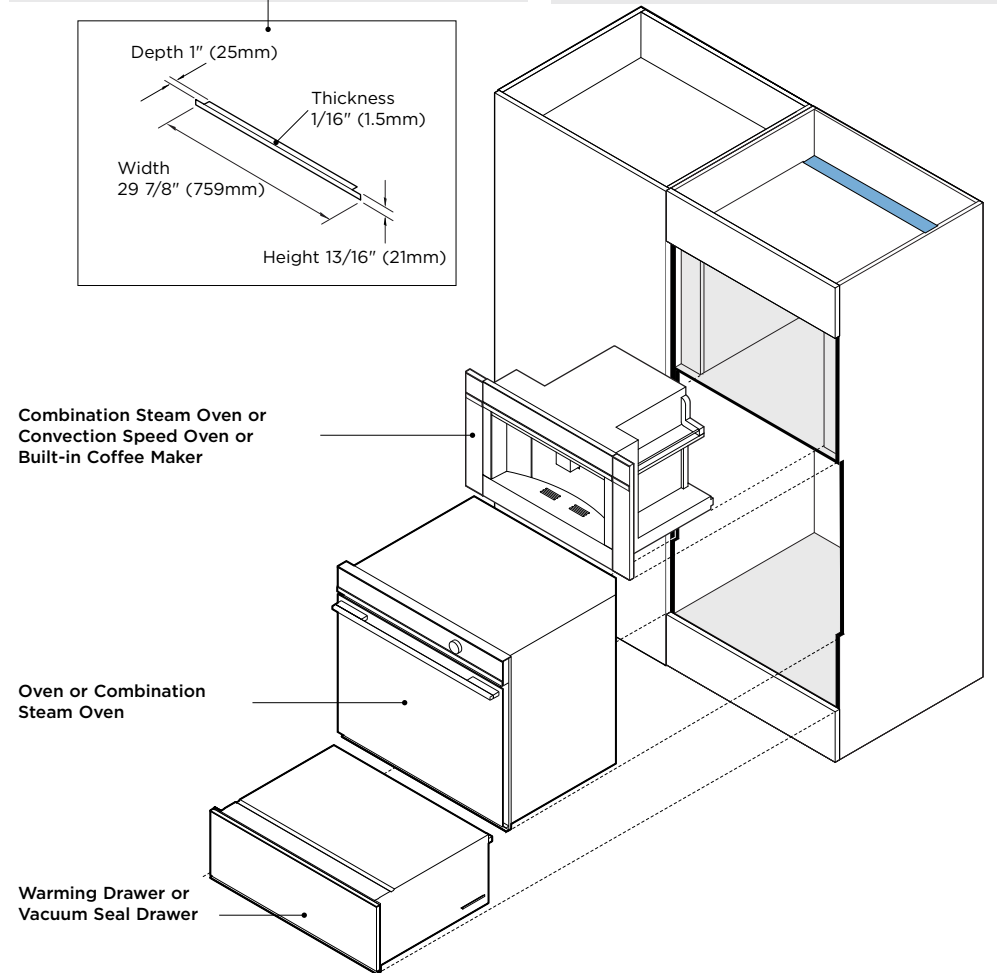
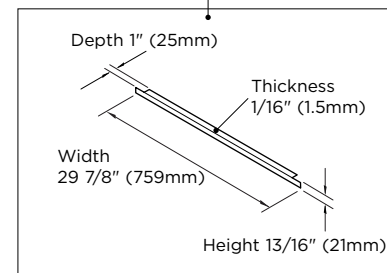
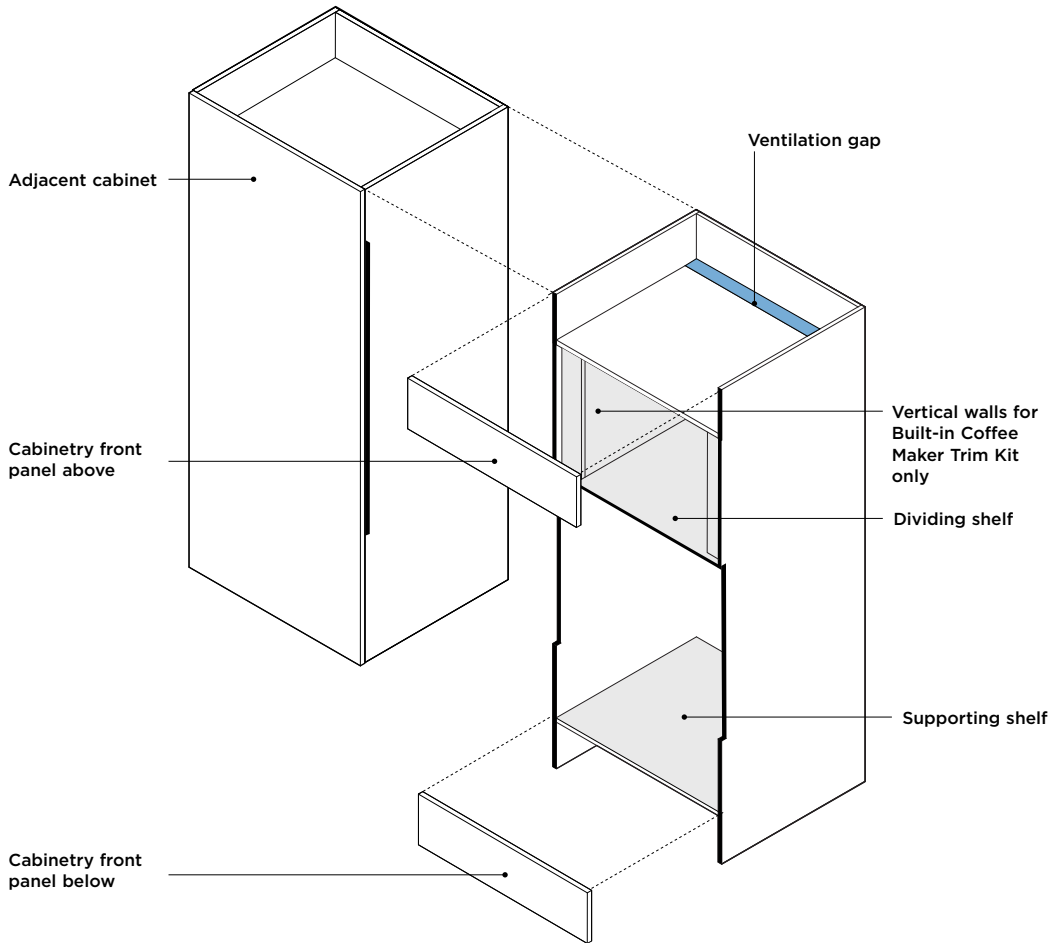
Black clashing is recommended on front facing edges where products are located and on side cabinets if cabinet is rebated.

OVEN CABINETRY TRIM

If using light-colored cabinets, we recommend using black cabinetry trim to help hide the cabinetry beneath the front door panel of the appliance. Ensure the trim height does not interfere with any appliances or cabinetry below. Black cabinetry trim is included with ovens.

LEVEL CABINETRY

Check the shelves are level and the side panels are straight.



The models shown in this Planning Guide may not be available in all markets and are subject to change at any time. Product specifications may vary from those shown. This Planning Guide should not be used as installation guidance for any product. Further information is required to safely and correctly install the products featured here. Specific installation guidance will be available on our website fisherpaykel.com

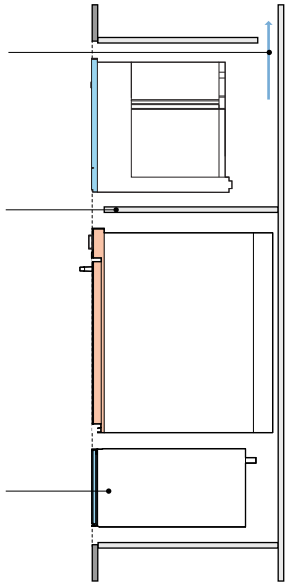
Ventilation air vent is required at rear for some products.

Dividing shelves are required to support stacked appliances and to achieve correct clearance.

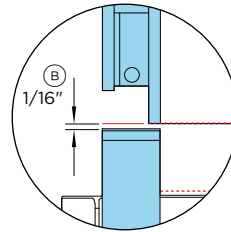
Dividing shelves must be constructed from material that will support the weight of the appliances.

Ensure the oven is not bearing any weight from cabinetry or products installed above.

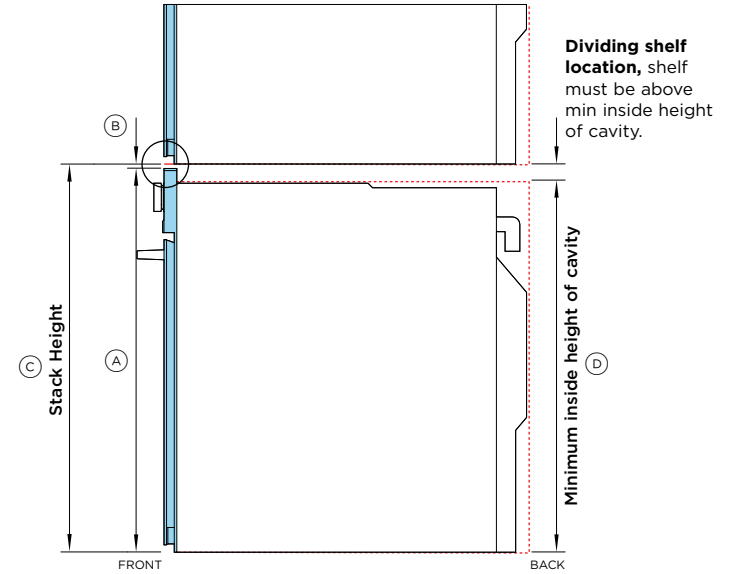
Warming Drawers and Vacuum Seal Drawers can fully support a 30inch Fisher & Paykel oven, without adding a shelf in between.



STACK EXPLODED
PROFILE VIEW



Minimum clearance above appliance control panel to upper appliance

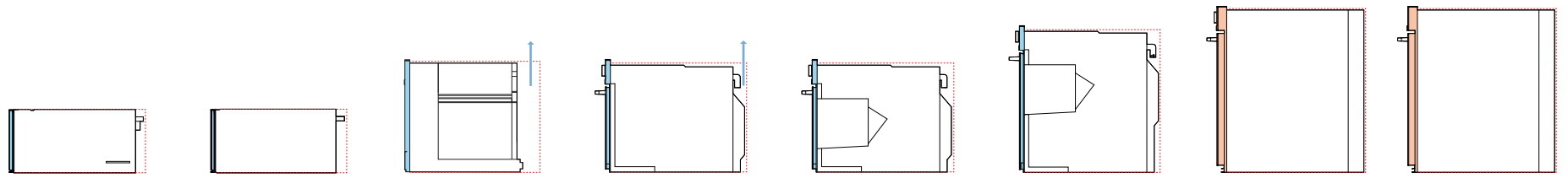


PRODUCT
PROFILE VIEW

STACK HEIGHT

(A) Overall product height
 +
 (B) Minimum clearance above appliance control panel or front panel to upper appliance
 =
 (C) Stacked Height

MINIMUM DIMENSION CLEARANCES



	VACUUM SEAL DRAWER VB30SDBI-SET	WARMING DRAWER WB30SDBI-SET	BUILT-IN COFFEE MAKER EB24DSXBB1 Trim Kit TK7630NDB2	CONVECTION SPEED OVEN OM30NDTDB1	COMBINATION STEAM OVEN OS30NDTDB1	COMBINATION STEAM OVEN OS30SDTDB1	OVEN OB30SDPTDB1	OVEN OB30SDPTB1
--	------------------------------------	--------------------------------	--	-------------------------------------	--------------------------------------	--------------------------------------	---------------------	--------------------

DIMENSIONS								
(A) Overall product height	10 11/16" (271mm)	10 11/16" (271mm)	18" (458mm)**	18" (458mm)	18" (458mm)	23 9/16" (598mm)	27 3/16" (690mm)	27 3/16" (690mm)
(B) Minimum clearance above	-	-	1/16" (2mm)	1/16" (2mm)	1/16" (2mm)	1/16" (2mm)	1/16" (2mm)	1/16" (2mm)
(C) Stack height	10 11/16" (271mm)*	10 11/16" (271mm)*	18 1/8" (460mm)	18 1/8" (460mm)	18 1/8" (460mm)	23 5/8" (600mm)	27 1/4" (692mm)	27 1/4" (692mm)
(D) Minimum inside height of cavity	10 11/16" (271mm)	10 11/16" (271mm)	17 5/16" (440mm)	17 5/16" (440mm)	17 5/16" (440mm)	22 13/16" (580mm)	26 13/16" (681mm)	26 13/16" (681mm)

*Drawers can fully support 30inch Fisher & Paykel wall oven, without adding shelf in between

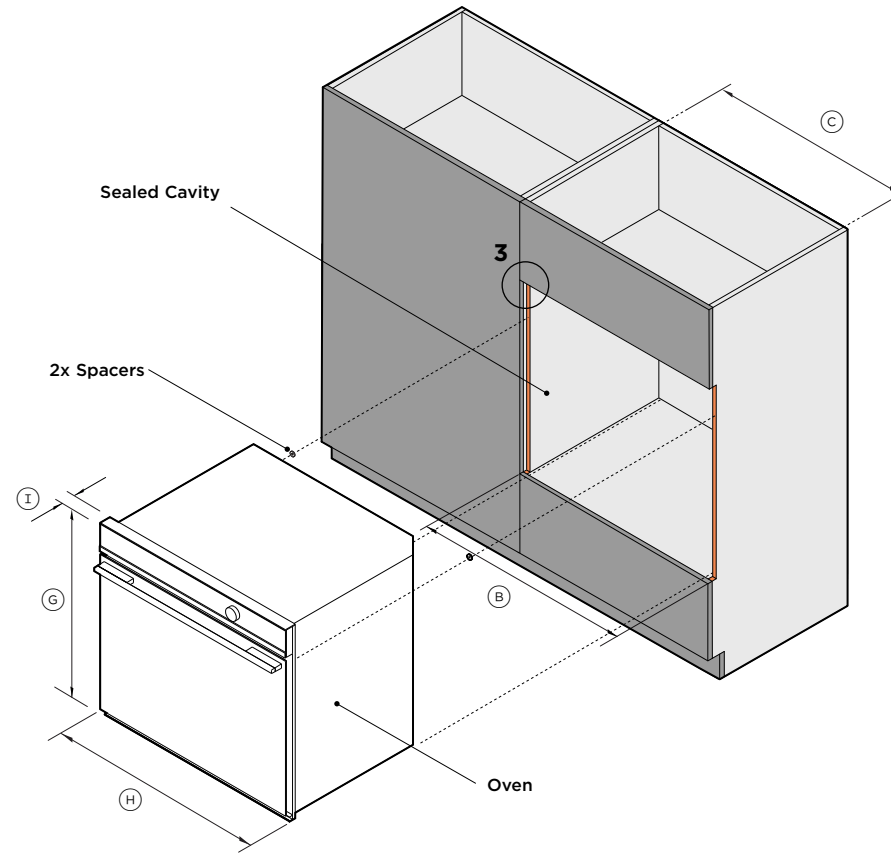
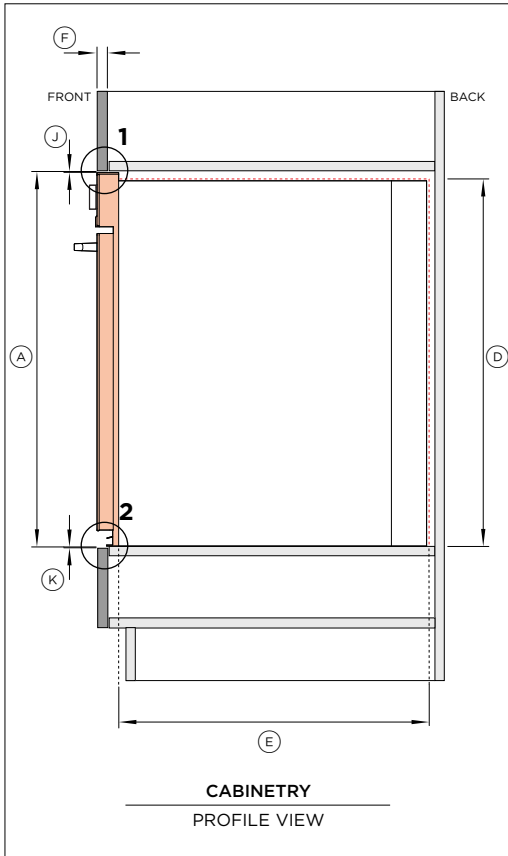
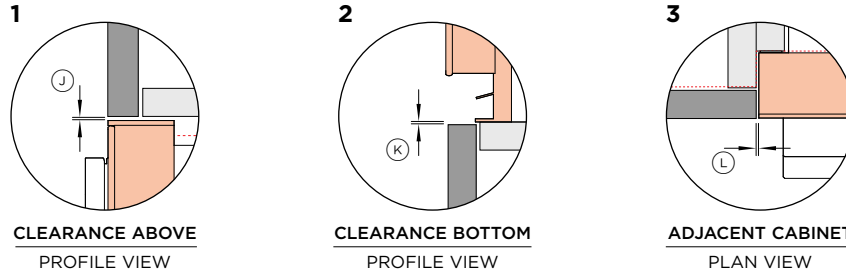
**Includes Built-in Coffee Maker rail height

NOTE: Stack height is overall product height with minimum clearance above appliance control panel or front panel to upper appliance.

The models shown in this Planning Guide may not be available in all markets and are subject to change at any time. Product specifications may vary from those shown. This Planning Guide should not be used as installation guidance for any product. Further information is required to safely and correctly install the products featured here. Specific installation guidance will be available on our website fisherpaykel.com

COOKTOP CLEARANCE

If installing a cooktop above the oven, ensure adequate clearance is provided for the cooktop as per the cooktop manufacturer's instructions.



Model no:

Oven, 30" - OB30SDPTDB1, OB30SDPTB1

Cabinetry Dimensions - Flush Installation		inch	mm
Ⓐ	Overall cabinet height*	27 1/4	692
Ⓑ	Overall cabinet width - single installation	30 1/16	764
Ⓒ	Minimum inside width of cavity	28 1/2	724
Ⓓ	Minimum inside height of cavity	26 13/16	681
Ⓔ	Minimum inside depth of cavity	22 5/8	575
Ⓕ	Thickness of cabinetry front panel**	3/4	19

*Overall cabinet height is overall product height with minimum clearance above oven control panel to upper cabinetry front panel.

**Cabinetry shown in drawings 3/4" (19mm) panels.

Note: Oven requires 1/16" (2mm) spacers for screws (supplied x 2).

Product Dimensions		inch	mm
Ⓒ	Overall height of product	27 3/16	690
Ⓓ	Overall width of product	29 15/16	760
Ⓕ	Thickness of oven control panel*	1 9/16	40

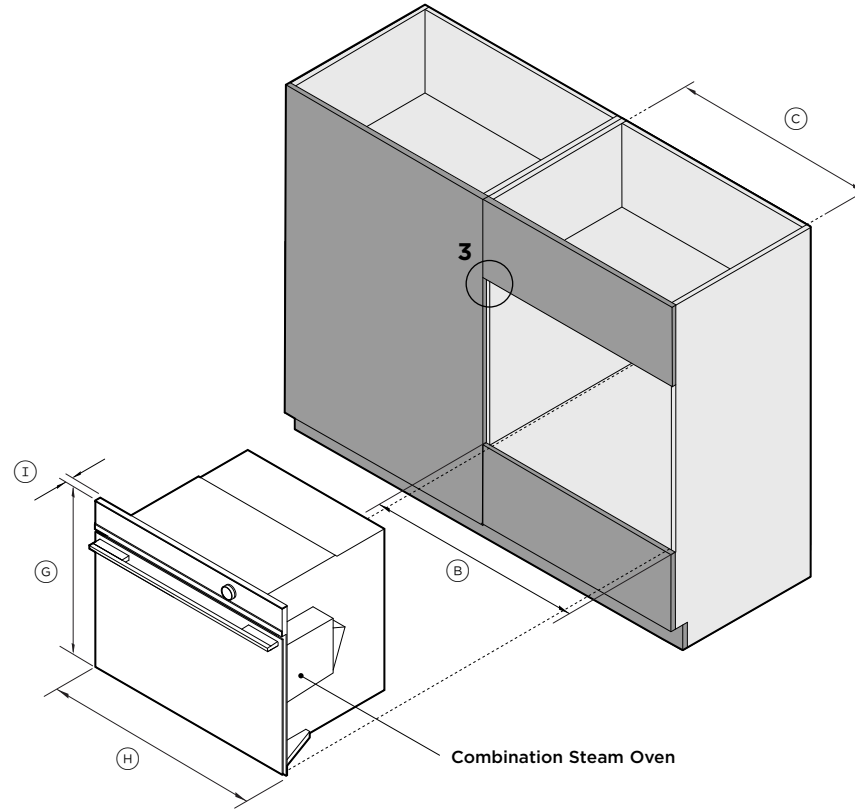
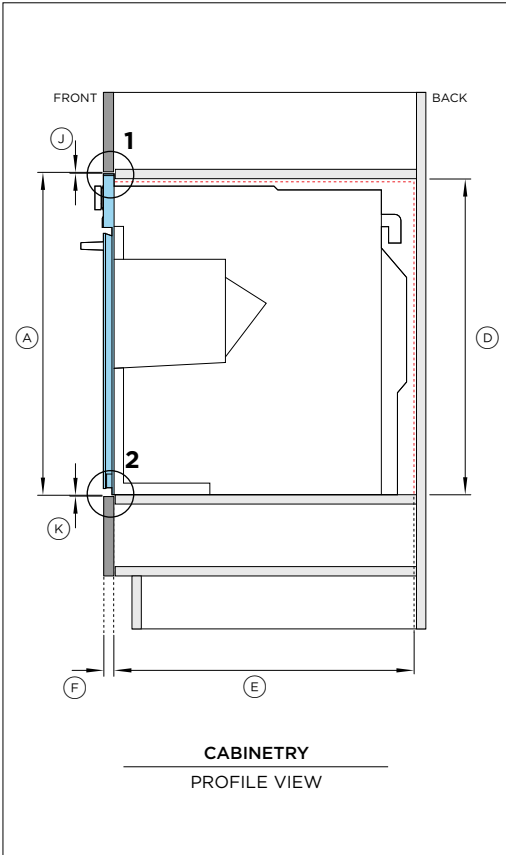
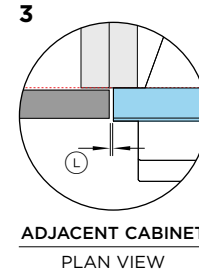
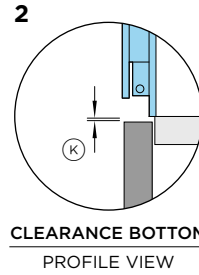
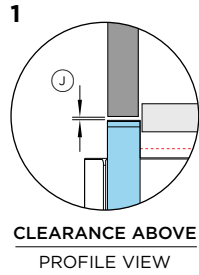
*If the oven control panel is thicker than 3/4" (20mm), adjust the panel above and below to ensure the oven sits flush with the front of the cabinetry.

Cabinetry Clearances		inch	mm
Ⓙ	Minimum clearance above oven control panel to upper cabinetry front panel	1/16	2
Ⓚ	Minimum clearance between bottom of oven chassis to lower cabinetry front panel	1/16	2
Ⓛ	Minimum clearance between adjacent front panel or appliance	1/16	2

The models shown in this Planning Guide may not be available in all markets and are subject to change at any time. Product specifications may vary from those shown. This Planning Guide should not be used as installation guidance for any product. Further information is required to safely and correctly install the products featured here. Specific installation guidance will be available on our website fisherpaykel.com

COOKTOP CLEARANCE

If installing a cooktop above the oven, ensure adequate clearance is provided for the cooktop as per the cooktop manufacturer's instructions.



Model no:
Combination Steam Oven, 30" - OS30SDTDB1

Cabinetry Dimensions - Flush Installation		inch	mm
Ⓐ	Overall cabinet height*	23 5/8	600
Ⓑ	Overall cabinet width - single installation	30 1/16	764
Ⓒ	Minimum inside width of cavity	28 1/2	724
Ⓓ	Minimum inside height of cavity	22 13/16	580
Ⓔ	Minimum inside depth of cavity	21 5/8	550
Ⓕ	Thickness of cabinetry front panel**	5/8-13/16	16-20

*Overall cabinet height is overall product height with minimum clearance above oven control panel to upper cabinetry front panel.
**Cabinetry shown in drawings 3/4" (19mm) panels.

Note: Consider placement of shelf above minimum inside height of cavity.

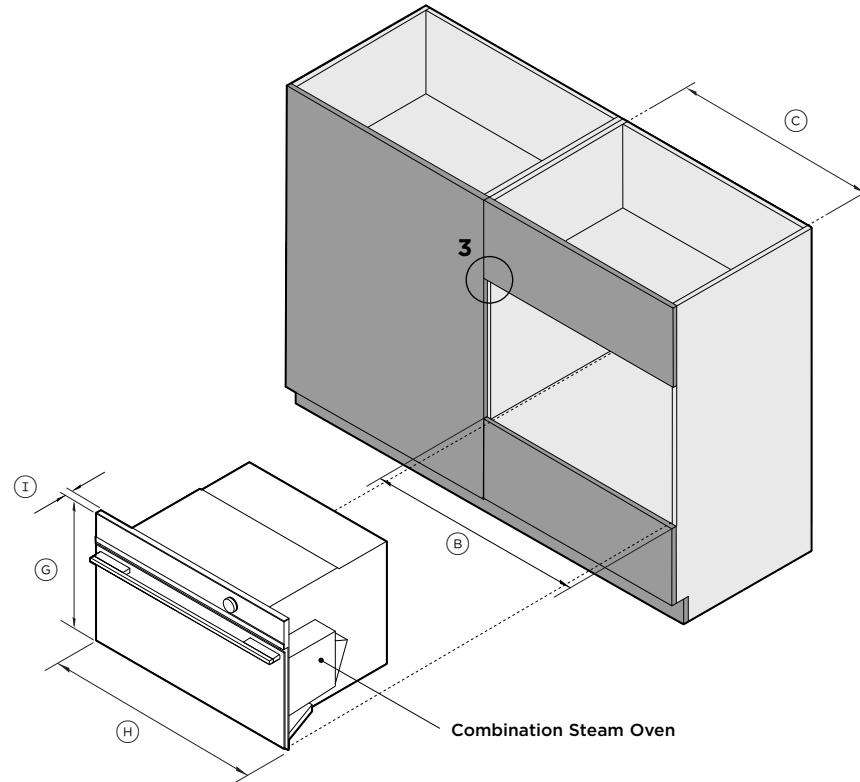
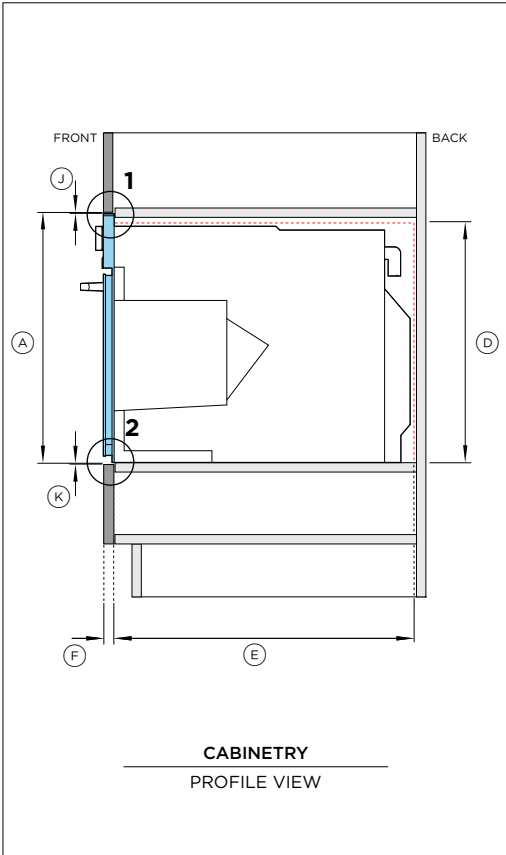
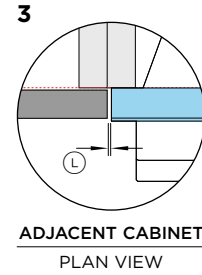
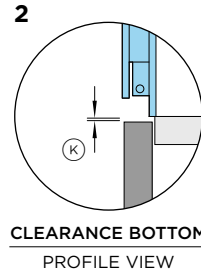
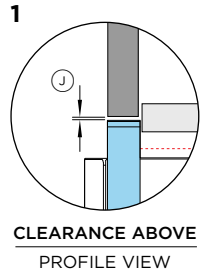
Product Dimensions		inch	mm
Ⓒ	Overall height of product	23 9/16	598
Ⓓ	Overall width of product	29 15/16	760
Ⓕ	Thickness of oven front panel	13/16	20

Cabinetry Clearances		inch	mm
Ⓒ	Minimum clearance above oven control panel to upper cabinetry front panel	1/16	2
Ⓓ	Minimum clearance between bottom of oven chassis to lower cabinetry front panel	1/16	2
Ⓔ	Minimum clearance between adjacent front panel or appliance	1/16	2

The models shown in this Planning Guide may not be available in all markets and are subject to change at any time. Product specifications may vary from those shown. This Planning Guide should not be used as installation guidance for any product. Further information is required to safely and correctly install the products featured here. Specific installation guidance will be available on our website fisherpaykel.com

COOKTOP CLEARANCE

If installing a cooktop above the oven, ensure adequate clearance is provided for the cooktop as per the cooktop manufacturer's instructions.



Model no:

Combination Steam Oven, 30" - OS30NDTDB1

Cabinetry Dimensions - Flush Installation		
	inch	mm
Ⓐ Overall cabinet height*	18 1/8	460
Ⓑ Overall cabinet width - single installation	30 1/16	764
Ⓒ Minimum inside width of cavity	28 1/2	724
Ⓓ Minimum inside height of cavity	17 5/16	440
Ⓔ Minimum inside depth of cavity	21 5/8	550
Ⓕ Thickness of cabinetry front panel**	5/8-13/16	16-20

*Overall cabinet height is overall product height with minimum clearance above oven control panel to upper cabinetry front panel.
**Cabinetry shown in drawings 3/4" (19mm) panels.

Note: Consider placement of shelf above minimum inside height of cavity.

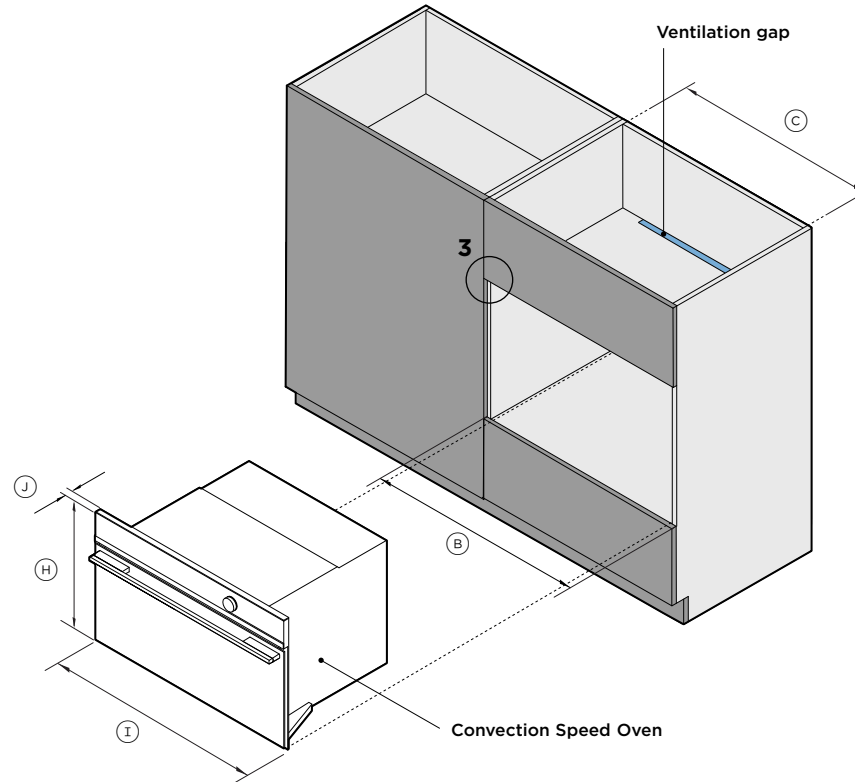
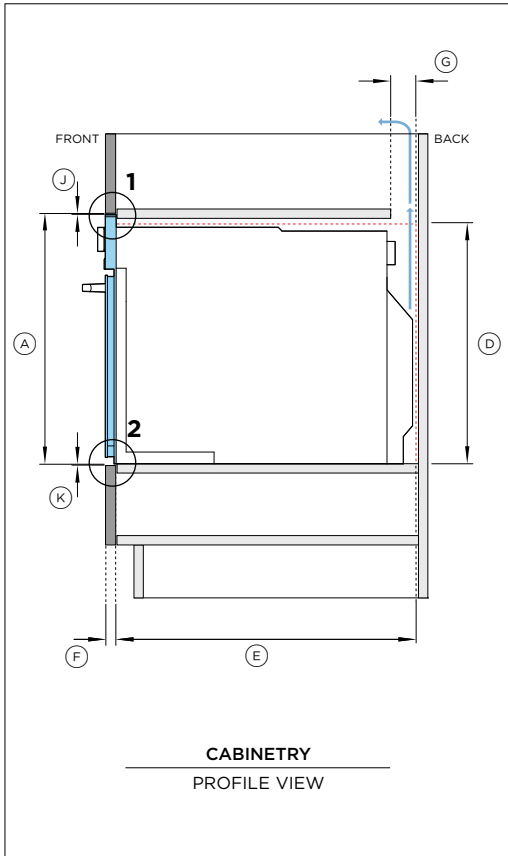
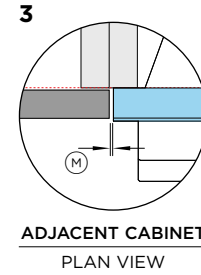
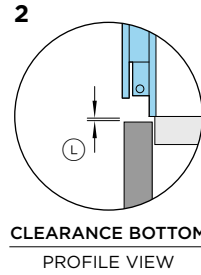
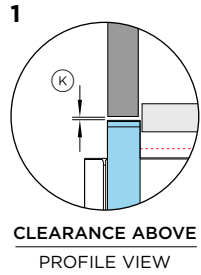
Product Dimensions		
	inch	mm
Ⓒ Overall height of product	18	458
Ⓓ Overall width of product	29 15/16	760
Ⓔ Thickness of oven front panel	13/16	20

Cabinetry Clearances		
	inch	mm
Ⓐ Minimum clearance above oven control panel to upper cabinetry front panel	1/16	2
Ⓑ Minimum clearance between bottom of oven chassis to lower cabinetry front panel	1/16	2
Ⓒ Minimum clearance between adjacent front panel or appliance	1/16	2

The models shown in this Planning Guide may not be available in all markets and are subject to change at any time. Product specifications may vary from those shown. This Planning Guide should not be used as installation guidance for any product. Further information is required to safely and correctly install the products featured here. Specific installation guidance will be available on our website fisherpaykel.com

VENTILATION

Ventilation of 2" x 22 1/16" (50mm x 560mm) or totalling 43.4in² (280cm²) is required. The air vent must be located at the rear of cabinet, it can be positioned at the base, top, sides, or back.



Model no:

Convection Speed Oven, 30" - OM30NDTDB1

Cabinetry Dimensions - Flush Installation		
	inch	mm
Ⓐ Overall cabinet height*	18 1/8	460
Ⓑ Overall cabinet width - single installation	30 1/16	764
Ⓒ Minimum inside width of cavity	28 1/2	724
Ⓓ Minimum inside height of cavity	17 5/16	440
Ⓔ Minimum inside depth of cavity	21 5/8	550
Ⓕ Thickness of cabinetry front panel**	5/8-13/16	16-20
Ⓖ Ventilation gap***	2	50

*Overall cabinet height is overall product height with minimum clearance above oven control panel to upper cabinetry front panel.

**Cabinetry shown in drawings 3/4" (19mm) panels.

***A rear ventilation air vent totalling 43.4in² (280cm²) is required. The air vent must be located at the rear of the cabinet, it can be positioned at the base, sides, back or top of the cavity.

Note: Consider placement of shelf above minimum inside height of cavity.

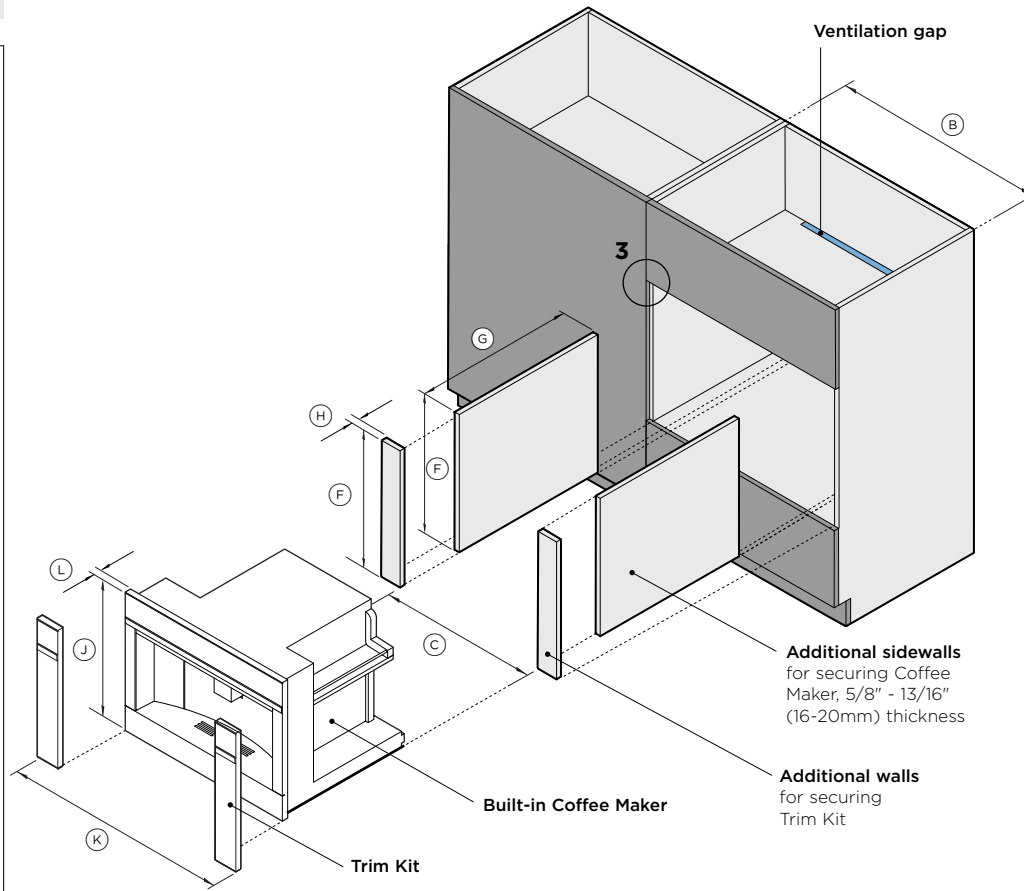
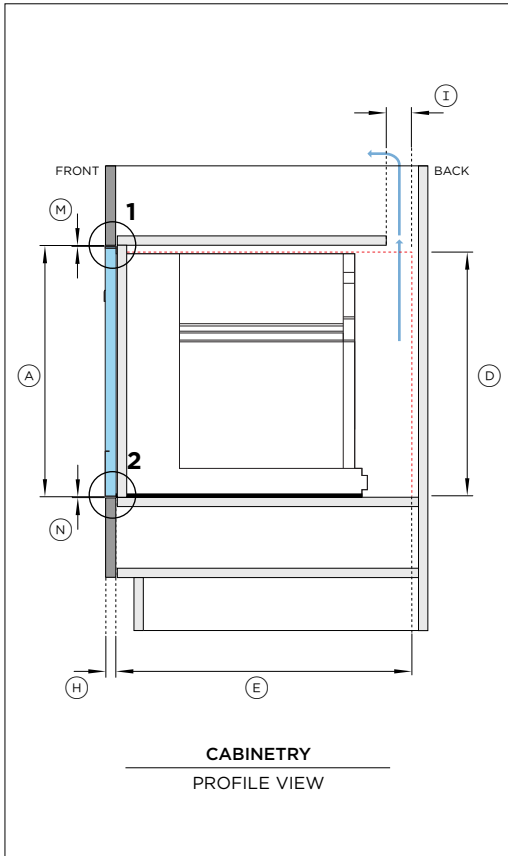
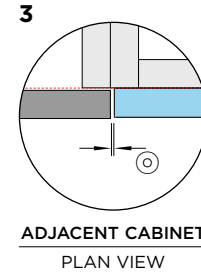
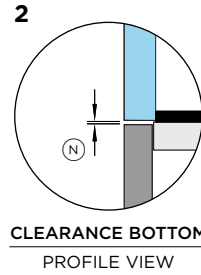
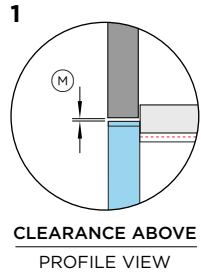
Product Dimensions		
	inch	mm
Ⓐ Overall height of product	18	458
Ⓑ Overall width of product	29 15/16	760
Ⓓ Thickness of oven front panel	13/16	20

Cabinetry Clearances		
	inch	mm
Ⓐ Minimum clearance above oven control panel to upper cabinetry front panel	1/16	2
Ⓒ Minimum clearance between bottom of oven chassis to lower cabinetry front panel	1/16	2
Ⓓ Minimum clearance between adjacent front panel or appliance	1/16	2

The models shown in this Planning Guide may not be available in all markets and are subject to change at any time. Product specifications may vary from those shown. This Planning Guide should not be used as installation guidance for any product. Further information is required to safely and correctly install the products featured here. Specific installation guidance will be available on our website fisherpaykel.com

VENTILATION

Ventilation of 2" x 22 1/16" (50mm x 560mm) or totalling 43.4in² (280cm²) is required. The air vent must be located at the rear of cabinet, it can be positioned at the base, top, sides, or back.



Model no:
Built-in Coffee Maker, 24" - EB24DSXBB1
Trim Kit, 30" - TK7630NDB2

Cabinetry Dimensions - Flush Installation		inch	mm
Ⓐ	Overall cabinet height with trim kit*	18 1/8	460
Ⓑ	Overall cabinet width - single installation	30 1/16	764
Ⓒ	Minimum inside width of cavity	22 1/16	560
Ⓓ	Minimum inside height of cavity	17 3/4	450
Ⓔ	Minimum inside depth of cavity	22 13/16	580
Ⓕ	Minimum height of additional side walls	17 3/4	450
Ⓖ	Minimum depth of additional side walls**	22 1/16	561
Ⓗ	Thickness of cabinetry front panel**	5/8-13/16	16-20
Ⓘ	Ventilation gap***	2	50

*Overall cabinet height is overall product height with minimum clearance above coffee maker control panel to upper cabinetry front panel
**Cabinetry shown in drawings 3/4" (19mm) panels.
***A rear ventilation air vent totalling 43.4in² (280cm²) is required. The air vent must be located at the rear of the cabinet, it can be positioned at the base, sides, back or top of the cavity.

Note: Consider placement of shelf above minimum inside height of cavity.

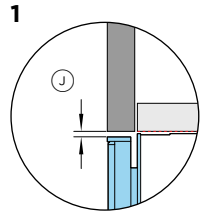
Product Dimensions		inch	mm
Ⓚ	Overall height of built-in coffee maker and trim kit	18	458
Ⓛ	Overall width of built-in coffee maker and trim kit	29 15/16	760
Ⓜ	Thickness of built-in coffee maker and trim kit front panel	13/16	20

Cabinetry Clearances		inch	mm
Ⓝ	Minimum clearance above trim kit front panel to upper cabinetry front panel	1/16	2
Ⓞ	Minimum clearance between bottom of trim kit to lower cabinetry front panel	1/16	2
Ⓟ	Minimum clearance between adjacent front panel or appliance	1/16	2

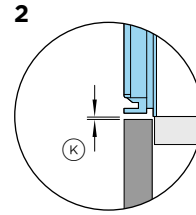
The models shown in this Planning Guide may not be available in all markets and are subject to change at any time. Product specifications may vary from those shown. This Planning Guide should not be used as installation guidance for any product. Further information is required to safely and correctly install the products featured here. Specific installation guidance will be available on our website fisherpaykel.com

NOTE

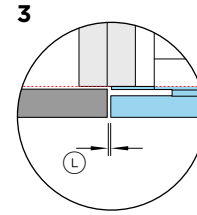
The Warming Drawer can fully support a 30inch Fisher & Paykel oven, without adding a shelf in between.



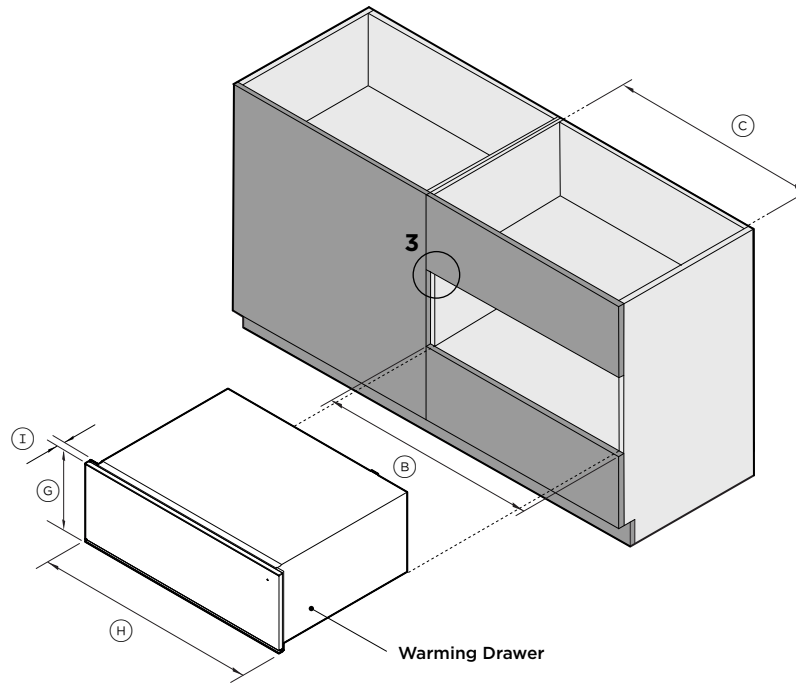
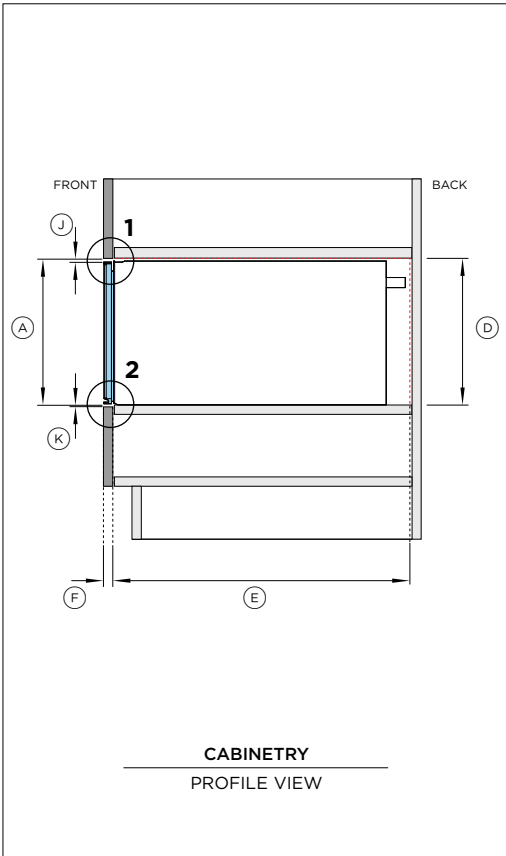
1
CLEARANCE ABOVE
PROFILE VIEW



2
CLEARANCE BOTTOM
PROFILE VIEW



3
ADJACENT CABINET
PLAN VIEW



Model no:

Warming Drawer, 30" - WB30SDB1-SET

Cabinetry Dimensions - Flush Installation		
	inch	mm
Ⓐ Overall cabinet height*	10 13/16	275
Ⓑ Overall cabinet width - single installation	30 1/16	764
Ⓒ Minimum inside width of cavity	28 1/2	724
Ⓓ Minimum inside height of cavity	10 3/4	273
Ⓔ Minimum inside depth of cavity	22 13/16	580
Ⓕ Thickness of cabinetry front panel**	5/8-13/16	16-20

*Overall cabinet height is overall product height with minimum clearance above drawer front panel to upper cabinetry front panel.
**Cabinetry shown in drawings 3/4" (19mm) panels.

Note: Concider placement of shelf above minimum inside height of cavity.

Product Dimensions		
	inch	mm
Ⓒ Overall height of product	10 11/16	271
Ⓓ Overall width of product	29 15/16	760
Ⓔ Thickness of warming drawer front panel and flange	13/16	20

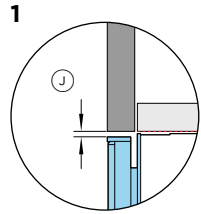
Cabinetry Clearances		
	inch	mm
Ⓒ Minimum clearance above drawer front panel to upper cabinetry front panel*	5/32	4
Ⓓ Minimum clearance between bottom of drawer chassis to lower cabinetry front panel	1/16	2
Ⓔ Minimum clearance between adjacent front panel or appliance	1/16	2

*Achieve a smaller gap between drawer front panel to upper cabinetry front panel by dropping cabinetry front panel down

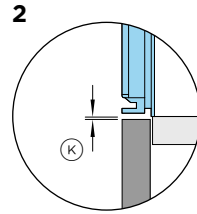
The models shown in this Planning Guide may not be available in all markets and are subject to change at any time. Product specifications may vary from those shown. This Planning Guide should not be used as installation guidance for any product. Further information is required to safely and correctly install the products featured here. Specific installation guidance will be available on our website fisherpaykel.com

NOTE

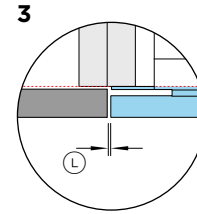
The Vacuum Seal Drawer can fully support a 30inch Fisher & Paykel oven, without adding a shelf in between.



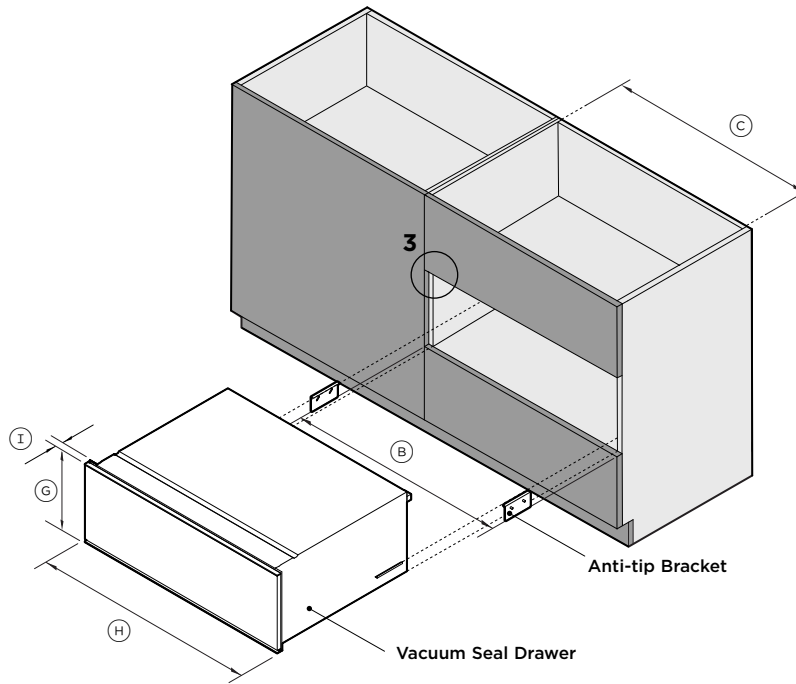
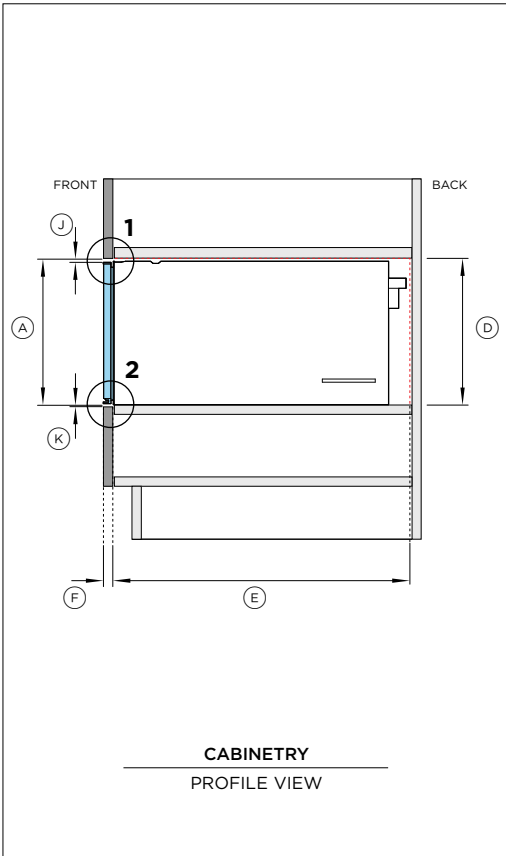
1
CLEARANCE ABOVE
PROFILE VIEW



2
CLEARANCE BOTTOM
PROFILE VIEW



3
ADJACENT CABINET
PLAN VIEW



Model no:

Vacuum Seal Drawer 30" - VB30SDB1-SET

Cabinetry Dimensions - Flush Installation		inch	mm
Ⓐ	Overall cabinet height*	10 13/16	275
Ⓑ	Overall cabinet width - single installation	30 1/16	764
Ⓒ	Minimum inside width of cavity	28 1/2	724
Ⓓ	Minimum inside height of cavity	10 3/4	273
Ⓔ	Minimum inside depth of cavity	22 13/16	580
Ⓕ	Thickness of cabinetry front panel**	5/8-13/16	16-20

*Overall cabinet height is overall product height with minimum clearance above drawer front panel to upper cabinetry front panel.

**Cabinetry shown in drawings 3/4" (19mm) panels.

Note: Concider placement of shelf above minimum inside height of cavity.

Product Dimensions		inch	mm
Ⓒ	Overall height of product	10 11/16	271
Ⓓ	Overall width of product	29 15/16	760
Ⓕ	Thickness of vacuum seal drawer front panel and flange	13/16	20

Cabinetry Clearances		inch	mm
Ⓒ	Minimum clearance above drawer front panel to upper cabinetry front panel*	5/32	4
Ⓓ	Minimum clearance between bottom of drawer chassis to lower cabinetry front panel	1/16	2
Ⓔ	Minimum clearance between adjacent front panel or appliance	1/16	2

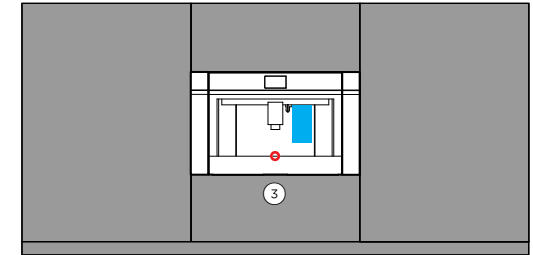
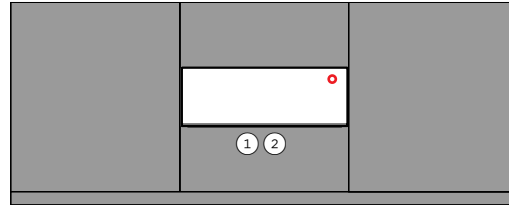
*Achieve a smaller gap between drawer front panel to upper cabinetry front panel by dropping cabinetry front panel down

The models shown in this Planning Guide may not be available in all markets and are subject to change at any time. Product specifications may vary from those shown. This Planning Guide should not be used as installation guidance for any product. Further information is required to safely and correctly install the products featured here. Specific installation guidance will be available on our website fisherpaykel.com

SERVICES

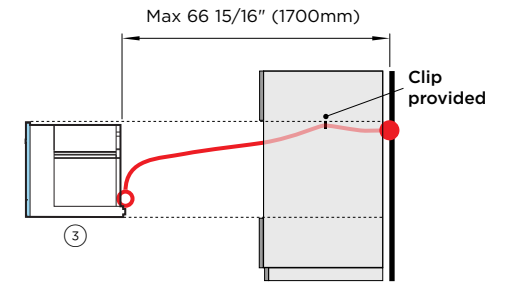
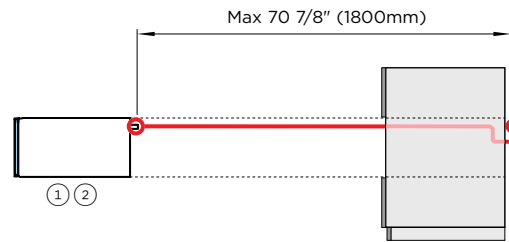
CONNECTION



Connections may be located in an adjacent cabinet to either side of the appliance. Ensure power will remain accessible following install to allow access for any future product maintenance.



BUILT-IN COFFEE MAKER

The power cable must be long enough to allow the appliance to be extracted from the cabinet to fill the coffee bean container. Fix the power cable with the clip.



-  Power Cable
-  Water Tank

① **VACUUM SEAL DRAWER**
VB30SDB1-SET

② **WARMING DRAWER**
WB30SDB1-SET

③ **BUILT-IN COFFEE MAKER**
EB24DSXBB1 (TK7630NDB2)

POWER CORD

Maximum power cord length*	70 7/8" (1800mm)	70 7/8" (1800mm)	66 15/16" (1700mm)
Location	Upper right	Upper right	Lower centered
Connection	Flex cord	Flex cord	Flex cord

*Measured from power outlet

WATER

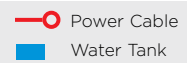
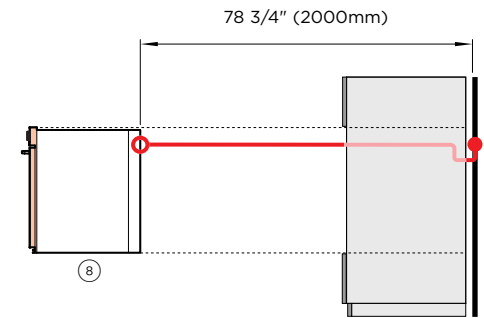
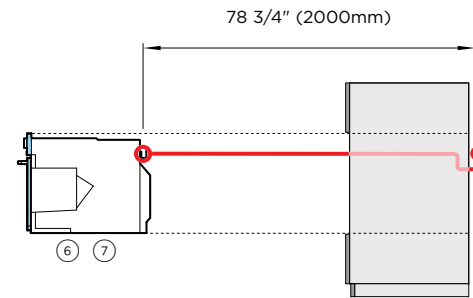
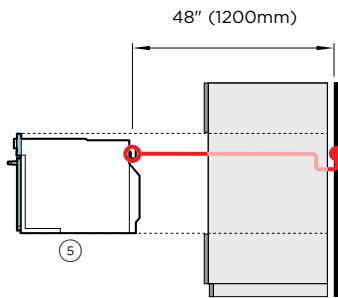
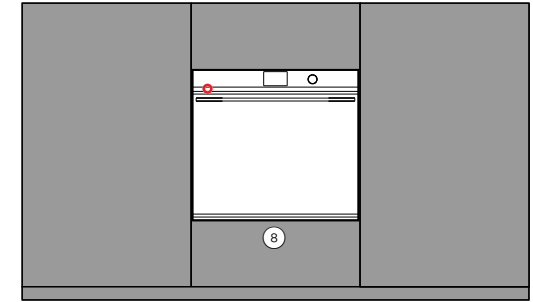
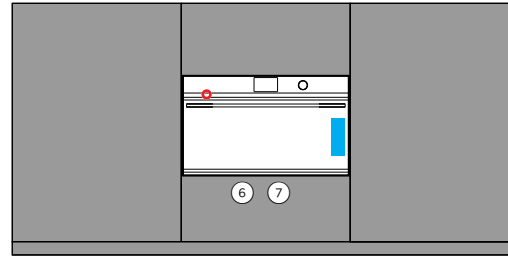
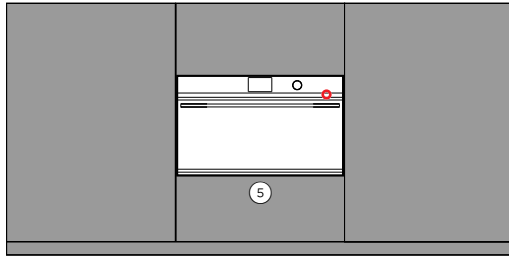
Total Capacity	-	-	84.5 fl oz (2.4L)
Location	-	-	Water tank (internal)

ELECTRICAL

Supply	120 V, 60 Hz	120 V, 60 Hz	120 V, 60 Hz
Service	10 A	10 A	10 A

Note: Multiple product installation requires the design of power outlets according to local regulations.

The models shown in this Planning Guide may not be available in all markets and are subject to change at any time. Product specifications may vary from those shown. This Planning Guide should not be used as installation guidance for any product. Further information is required to safely and correctly install the products featured here. Specific installation guidance will be available on our website fisherpaykel.com



⑤ **CONVECTION SPEED OVEN**
OM30NDTDB1

⑥ **COMBINATION STEAM OVEN**
OS30NDTDB1

⑦ **COMBINATION STEAM OVEN**
OS30SDTDB1

⑧ **OVEN**
OB30SDPTDB1
OB30SDPTB1

POWER CORD	⑤	⑥	⑦	⑧
Maximum power cord length*	48" (1200mm)	78 3/4" (2000mm)	78 3/4" (2000mm)	78 3/4" (2000mm)
Location	Upper right	Upper left	Upper left	Upper left
Connection	Hard wire**	Hard wire**	Hard wire**	Hard wire**

*Measured from power outlet, supplied with product.

**For more information, refer to the Installation Guide. Ensure power will remain accessible following install to allow access for any future product maintenance.

WATER	⑤	⑥	⑦	⑧
Total Capacity	-	47.3 fl oz (1.4L)	47.3 fl oz (1.4L)	-
Location	-	Water tank (internal)	Water tank (internal)	-

ELECTRICAL	⑤	⑥	⑦	⑧
Supply	208 or 240 V, 60 Hz	208 or 240 V, 60 Hz	208 or 240 V, 60 Hz	208 or 240 V, 60 Hz
Service	20 A	20 A	20 A	20 A

Note: Multiple product installation requires the design of power outlets according to local regulations.

The models shown in this Planning Guide may not be available in all markets and are subject to change at any time. Product specifications may vary from those shown. This Planning Guide should not be used as installation guidance for any product. Further information is required to safely and correctly install the products featured here. Specific installation guidance will be available on our website fisherpaykel.com

